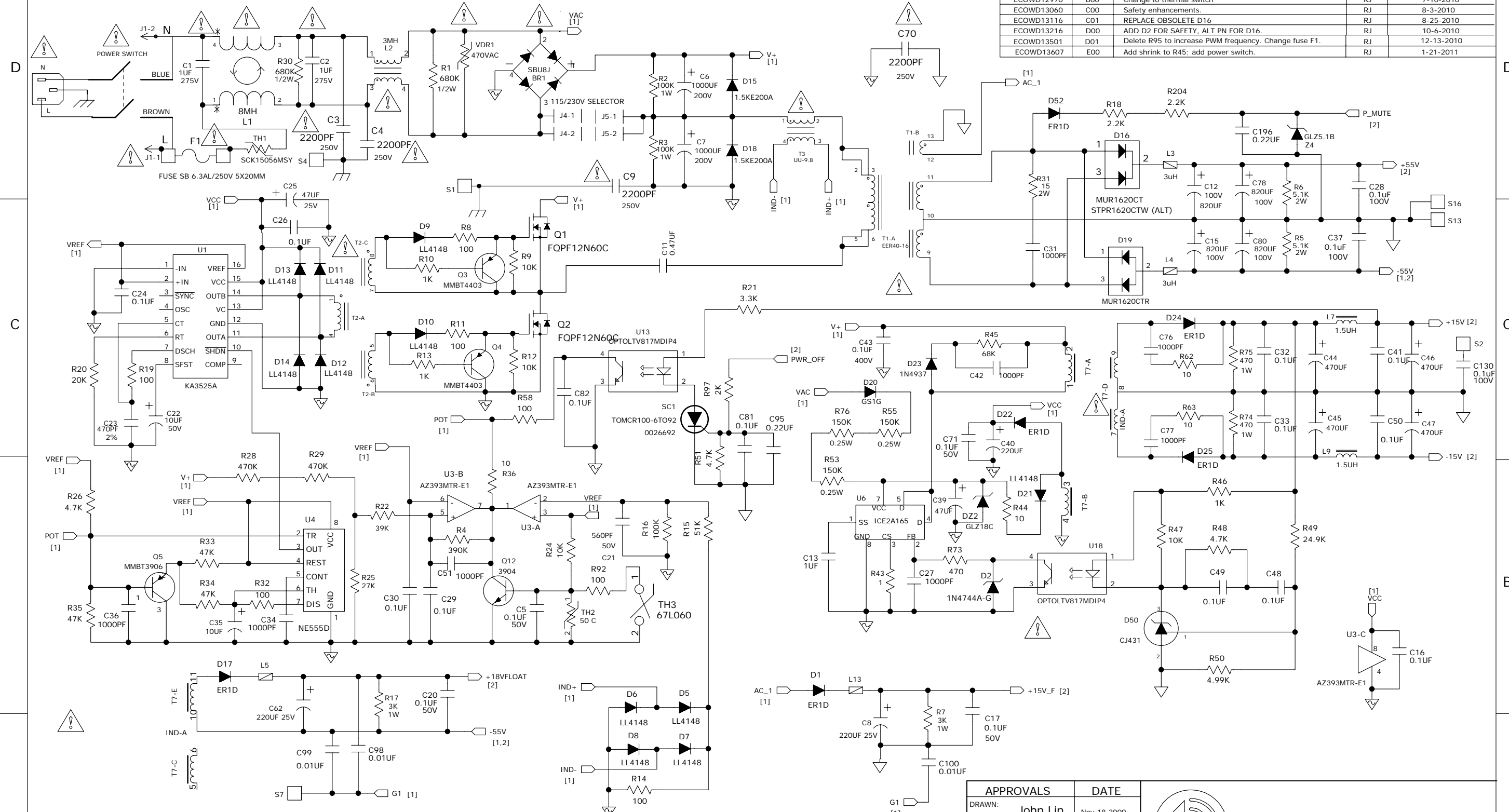


TO LINE SWITCH

ECO	REV:	DESCRIPTION	REV. BY:	DATE
ECOCHN0841	100	release for working sample		Jan.05.2010
ECOCHN0851	200	release for proto 200		Apr.01.2010
ECOWD12713	201	BOM CHANGE		Apr.23.2010
ECOCHN0884	A00	release for pilot	RJ	June.23.2010
ECOWD12970	B00	Change to thermal switch	RJ	7-10-2010
ECOWD13060	C00	Safety enhancements.	RJ	8-3-2010
ECOWD13116	C01	REPLACE OBSOLETE D16	RJ	8-25-2010
ECOWD13216	D00	ADD D2 FOR SAFETY, ALT PN FOR D16.	RJ	10-6-2010
ECOWD13501	D01	Delete R95 to increase PWM frequency. Change fuse F1.	RJ	12-13-2010
ECOWD13607	E00	Add shrink to R45; add power switch.	RJ	1-21-2011



- A**
- SCH1  2034538-XX SCHEMATIC PCB ASSY AMP/PSU BOARD PF350
  - PCB1  2034537-04 PCB FAB FR4 DOUBLE 1 OZ 1.6MM AMP/PSU BOARD PF350
  - FORC70  0032291 SHRINK TUBE 18X40MM
  - FORL4  0032291 SHRINK TUBE 18X40MM
  - FORC10  0032291 SHRINK TUBE 18X40MM
  - FORR45  0032292 SHRINK TUBE 9X30MM
  - FORC11  0025451 SHRINK TUBE 25X40MM
  - FORC118  0025451 SHRINK TUBE 25X40MM
  - FORR31  0032292 SHRINK TUBE 9X30MM
  - FORC40  0032292 SHRINK TUBE 9X30MM

© 2009-2010 LOUD TECHNOLOGIES INC.  
 ALL RIGHTS RESERVED  
 THE INFORMATION CONTAINED HEREIN  
 IS PROPRIETARY AND CONFIDENTIAL  
 PROPERTY OF LOUD TECHNOLOGIES INC.

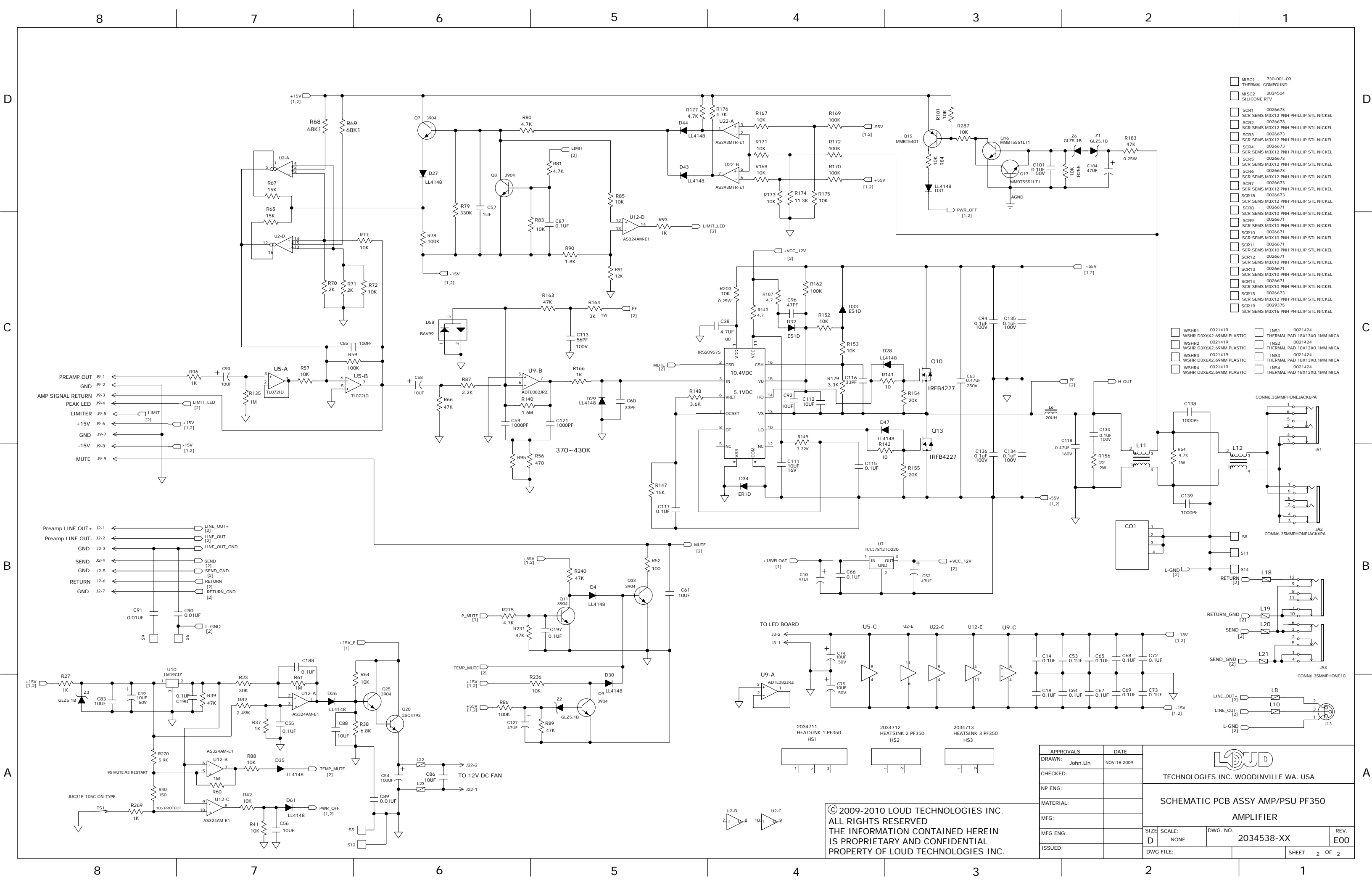
APPROVALS	DATE
DRAWN: John.Lin	Nov.18.2009
CHECKED:	
NP ENG:	
MATERIAL:	
MFG:	
MFG ENG:	
ISSUED:	



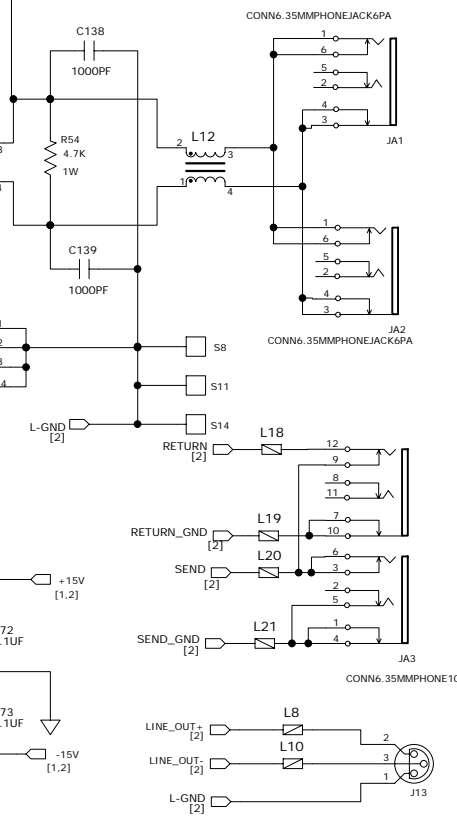
**LOUD Technologies Inc.**  
 16220 WOOD-RED RD NE WOODINVILLE, WA 98072

**SCHEMATIC PCB ASSY AMP/PSU PF350**  
**POWER SUPPLY**

SIZE: D	SCALE: NONE	DWG. NO.: 2034538-XX	REV.: E00
DWG FILE:		SHEET 1 OF 2	



- MISC1 730-001-00 THERMAL COMPOUND
- MISC2 2034504 SILICONE RTV
- SCR1 0026673 SCR SEMS M3X12 PNH PHILLIP STL NICKEL
- SCR2 0026673 SCR SEMS M3X12 PNH PHILLIP STL NICKEL
- SCR3 0026673 SCR SEMS M3X12 PNH PHILLIP STL NICKEL
- SCR4 0026673 SCR SEMS M3X12 PNH PHILLIP STL NICKEL
- SCR5 0026673 SCR SEMS M3X12 PNH PHILLIP STL NICKEL
- SCR6 0026673 SCR SEMS M3X12 PNH PHILLIP STL NICKEL
- SCR7 0026673 SCR SEMS M3X12 PNH PHILLIP STL NICKEL
- SCR8 0026673 SCR SEMS M3X12 PNH PHILLIP STL NICKEL
- SCR9 0026673 SCR SEMS M3X12 PNH PHILLIP STL NICKEL
- SCR10 0026673 SCR SEMS M3X12 PNH PHILLIP STL NICKEL
- SCR11 0026673 SCR SEMS M3X12 PNH PHILLIP STL NICKEL
- SCR12 0026673 SCR SEMS M3X12 PNH PHILLIP STL NICKEL
- SCR13 0026673 SCR SEMS M3X12 PNH PHILLIP STL NICKEL
- SCR14 0026673 SCR SEMS M3X12 PNH PHILLIP STL NICKEL
- SCR15 0026673 SCR SEMS M3X12 PNH PHILLIP STL NICKEL
- SCR19 0029375 SCR SEMS M3X16 PNH PHILLIP STL NICKEL
- WSHR1 0021419 WSHR D3X6X2.69MM PLASTIC
- WSHR2 0021419 WSHR D3X6X2.69MM PLASTIC
- WSHR3 0021419 WSHR D3X6X2.69MM PLASTIC
- WSHR4 0021419 WSHR D3X6X2.69MM PLASTIC
- INS1 0021424 THERMAL PAD 18X13X0.1MM MICA
- INS2 0021424 THERMAL PAD 18X13X0.1MM MICA
- INS3 0021424 THERMAL PAD 18X13X0.1MM MICA
- INS4 0021424 THERMAL PAD 18X13X0.1MM MICA



APPROVALS		DATE
DRAWN: John.Lin		NOV.18.2009
CHECKED:		
NP ENG:		
MATERIAL:		
MFG:		
MFG ENG:		
ISSUED:		

TECHNOLOGIES INC. WOODINVILLE WA. USA		SCHEMATIC PCB ASSY AMP/PSU PF350	
AMPLIFIER		REV. E00	
SIZE	SCALE: NONE	DWG. NO. 2034538-XX	REV. E00
D			
DWG FILE:		SHEET 2	OF 2

© 2009-2010 LOUD TECHNOLOGIES INC. ALL RIGHTS RESERVED THE INFORMATION CONTAINED HEREIN IS PROPRIETARY AND CONFIDENTIAL PROPERTY OF LOUD TECHNOLOGIES INC.

