

J-12T TEST POINTS

INPUT SIGNAL 50mV p-p, 1 KHz  
 VOL & TIME @ 10 SPEED INTEN REV # 0  
 PWR SUPPLY DC & RIPPLE MEASURED w/NO SIG. APPLIED

TP	AC VOLTAGE	DC VOLTAGE	WAVEFORM
1	2.3V p-p	183	
2	37.5	198	
3	35	183	
4	—	10.4	—
5	—	—	—
6	15V p-p	—	
7	35V p-p	156 <sup>pin 7</sup>	TREM FREQ
8	32V p-p	—	
9	6V p-p	327	
10	36V p-p	322	
11	8V p-p	288	TREM FREQ
12	150mV p-p	279	TREM FREQ
13	8.6V p-p	—	
14	8.6V p-p	—	
15	24V p-p	7	
16	24V p-p	-7	

LAST DESIGNATOR USED

R35	C32	J28
FC2	D12	P5

NOT USED

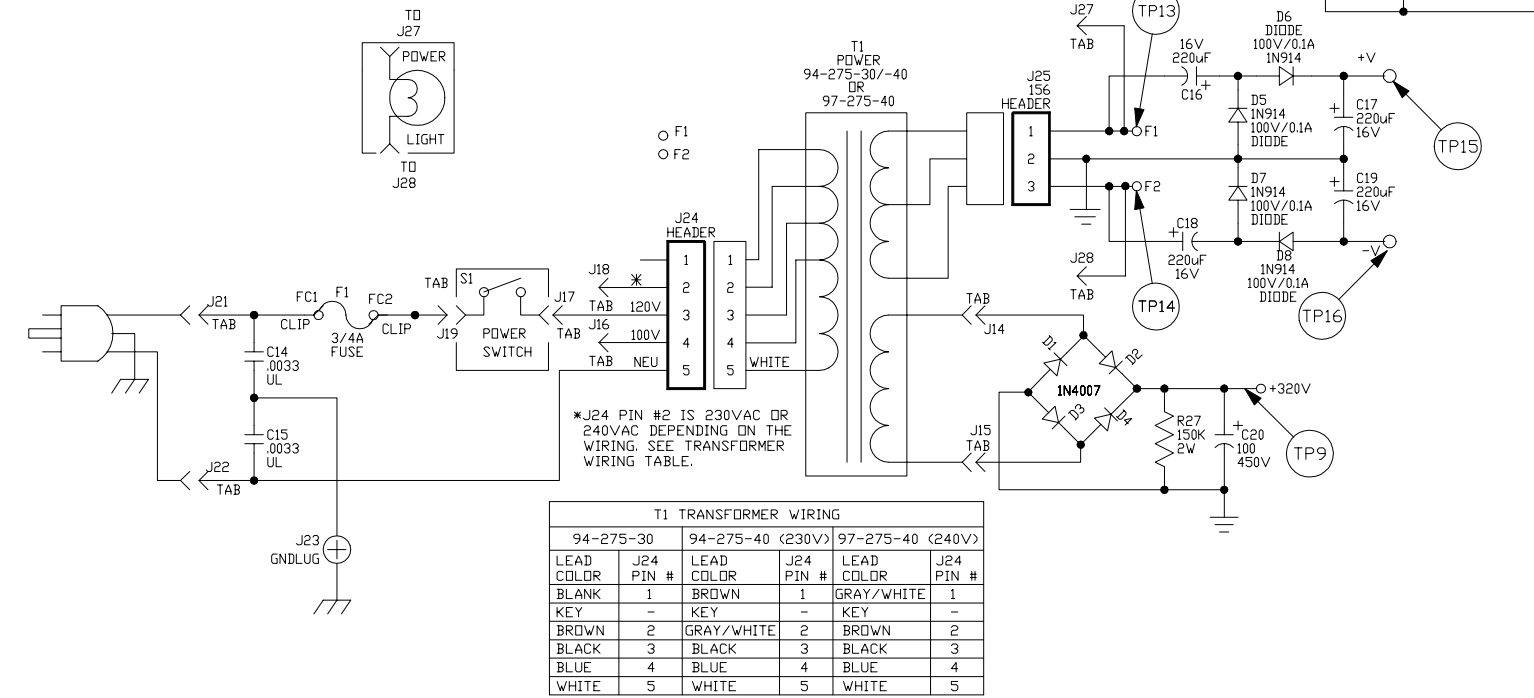
D9	D10	J20
----	-----	-----

NOTES

- 1) CAUTION: SHOCK HAZARD! THIS UNIT CONTAINS HAZARDOUS VOLTAGE. DISCONNECT POWER AND BE SURE POWER SUPPLY IS DISCHARGED BEFORE TOUCHING INTERNAL PARTS.
- 2) UNLESS NOTED, RESISTOR VALUES IN OHMS, 1/4W-5% TOL. CAPACITOR VALUES IN MICROFARADS, 50V-10% TOL.
- 3) VOLTAGES ARE MEASURED WITH 1 MEGOHM OSCILLOSCOPE AND 10 MEGOHM DIGITAL VOLTMETER.
- 4) CHASSIS GROUND ⇨ SIGNAL GROUND ⇩ CIRCUIT GROUND ⇩

CAUTION:

THIS SCHEMATIC IS PROVIDED FOR USE BY QUALIFIED PERSONNEL. TO AVOID RISK OF ELECTRIC SHOCK, REFER SERVICING TO QUALIFIED SERVICE PERSONNEL. DO NOT PERFORM ANY SERVICING BEYOND THAT EXPLAINED IN THE OPERATING INSTRUCTIONS.



T1 TRANSFORMER WIRING

94-275-30 (230V)		94-275-40 (230V)		97-275-40 (240V)	
LEAD COLOR	J24 PIN #	LEAD COLOR	J24 PIN #	LEAD COLOR	J24 PIN #
BLANK	1	BROWN	1	GRAY/WHITE	1
KEY	-	KEY	-	KEY	-
BROWN	2	GRAY/WHITE	2	BROWN	2
BLACK	3	BLACK	3	BLACK	3
BLUE	4	BLUE	4	BLUE	4
WHITE	5	WHITE	5	WHITE	5

REV	DATE	BY	CHK'D	DESCRIPTION
7	08/13/98	JRC		REV'D WITH PICTORIAL FOR RADIAL CHANGES PER E980025
6	08/26/97	SWR		CHANGED T1 WIRING CHART. PER ECO #970471
5	3/5/97	REM	OK	FUSECLIPS TO -02 PER E970101.
4	08/21/96	SWR		CHANGED VALUE OF R33. PER ECO #960355.
3	10/9/95	REM		GHG'D J10 TO .250" TAB PER E950049.
2	06/23/95	SWR		DELETED D9 & D10 PER ECO #E950140.
1	04-10-95	REM		ADDED C32 PER E950011, ART TO REV 1.

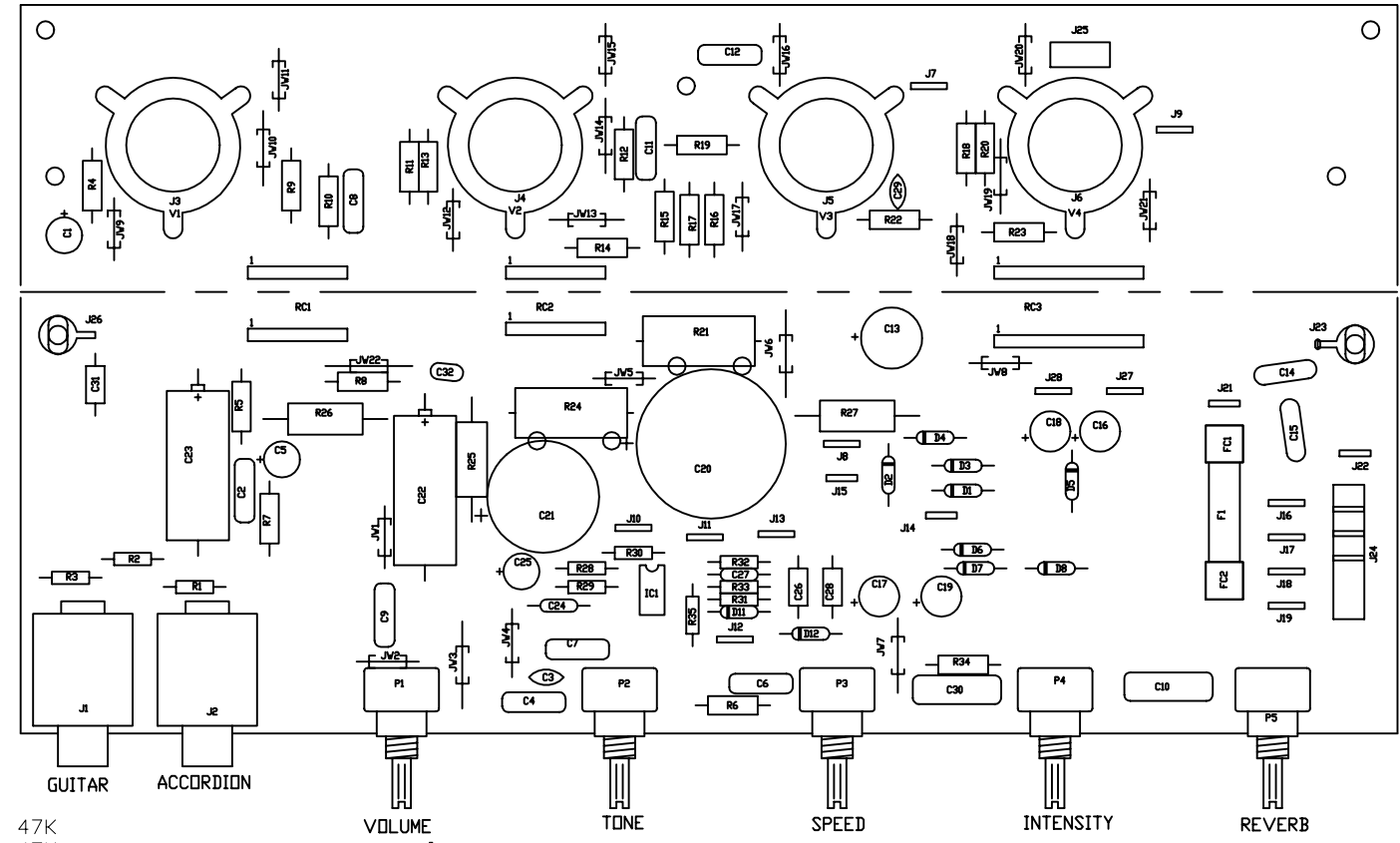
SIGNATURES:		DATE:		11880 BORMAN DR. ST. LOUIS, MISSOURI 63148
DRAWN: REM		12/21/94		
CHK'D: OK		04-10-95		PROJECT NAME: J-12T
APP'D: OK		04-10-95		DRAWING NAME: SCHEMATIC DRAWING
ORIGINAL ISSUED:		12/21/94		DRAWING NO. 07S277-01
PLOT DATE:		09/29/98		REV. 7
PLOT TIME:		13:39:37		DRAWING NO. 07S277-01
FILE NAME:		27701H7_		SCALE: ~ SHEET: 1 OF 1

DESIGNATOR	PART #	DESCRIPTION	
C1	12R226-32	22uF	35V
C2	10-223-10	.022uF	400V
C3	10-471-52	470pF	500V
C4	10-103-10	.01uF	400V
C5	12R226-32	22uF	35V
C6	10-223-10	.022uF	400V
C7	10-103-10	.01uF	400V
C8	10-223-10	.022uF	400V
C9	10-223-10	.022uF	400V
C10	10-104-10	.1uF	400V
C11	10-223-10	.022uF	400V
C12	10-223-10	.022uF	400V
C13	12R227-32	220uF	35V
C14	10-332-01	.0033	UL
C15	10-332-01	.0033	UL
C16	12R227-12	220uF	16V
C17	12R227-12	220uF	16V
C18	12R227-12	220uF	16V
C19	12R227-12	220uF	16V
C20	12-107-30	100	450V
C21	12-476-42	47uF	450V
C22	12-106-91	10uF	400V
C23	12-106-91	10uF	400V
C24	10A471-11	470pF	100V
C25	12R226-32	22uF	35V
C26	10A224-01	.22uF	50V
C27	10A221-11	220pF	100V
C28	10A104-01	.1uF	50V
C29	10-221-04	220pF	400V
C30	10-104-10	.1uF	400V
C31	10A104-01	.1uF	50V
C32	10-500-02	50pF	500V

D1	21A407-01	1N4007	
D2	21A407-01	1N4007	
D3	21A407-01	1N4007	
D4	21A407-01	1N4007	
D5	21A914-01	1N914	100V
D6	21A914-01	1N914	100V
D7	21A914-01	1N914	100V
D8	21A914-01	1N914	100V
D9	NOT USED		
D10	NOT USED		
D11	21A914-01	1N914	100V
D12	21A914-01	1N914	100V
F1	23-318-05	3/4A	FUSE
FC1	23-926-02	CLIP	
FC2	23-926-02	CLIP	
IC1	37-072-01	TL072	
J1	39-119-01	T/S	JACK
J2	39-119-01	T/S	JACK
J3	17-451-09	TUBE_SOCKET	9-PIN
J4	17-451-09	TUBE_SOCKET	9-PIN
J5	17-451-09	TUBE_SOCKET	9-PIN
J6	17-451-09	TUBE_SOCKET	9-PIN
J7	17-894-01	TAB	
J8	17-894-01	TAB	
J9	17-894-01	TAB	
J10	17-836-01	TAB	
J11	17-894-01	TAB	
J12	17-894-01	TAB	
J13	17-894-01	TAB	
J14	17-836-01	TAB	
J15	17-836-01	TAB	
J16	17-894-01	TAB	
J17	17-894-01	TAB	
J18	17-894-01	TAB	
J19	17-894-01	TAB	
J21	17-836-01	TAB	
J22	17-836-01	TAB	
J23	17-500-01	GNDLUG	
J24	17-320-05	156	HEADER
J25	17-310-03	156	HEADER
J26	17-500-01	GNDLUG	
J27	17-894-01	TAB	
J28	17-894-01	TAB	

P1	70-105-22	AUDIO	
P2	70-105-22	AUDIO	
P3	70-305-23	LINEAR	
P4	70-105-22	AUDIO	
P5	70-103-22	AUDIO	

R1	76-473-01	47K	
R2	76-473-01	47K	
R3	76-105-01	1M	
R4	77-152-02	1.5K	1/2W
R5	77-104-02	100K	1/2W
R6	77-104-02	100K	1/2W
R7	77-222-02	2.21K	1/2W
R8	77-224-02	221K	1/2W
R9	77-105-02	1M	1/2W
R10	77-105-02	1M	1/2W
R11	77-105-02	1M	1/2W
R12	77-105-02	1M	1/2W
R13	77-471-02	475	1/2W
R14	77-223-02	22.1K	1/2W
R15	77-104-02	100K	1/2W
R16	77-104-02	100K	1/2W
R17	77-224-02	221K	1/2W
R18	77-224-02	221K	1/2W
R19	77-223-02	22.1K	1/2W
R20	77-223-02	22.1K	1/2W
R21	78-121-05	120	5W
R22	77-101-02	100	1/2W
R23	77-101-02	100	1/2W
R24	78-471-05	470	5W
R25	78-103-02	10K	2W
R26	78-103-02	10K	2W
R27	78-154-02	150K	2W
R28	76-105-01	1M	
R29	76-220-01	22	
R30	76-472-01	4.7K	
R31	76-473-01	47K	
R32	76-222-01	2.2K	
R33	76-223-01	22K	
R34	77-474-02	475K	1/2W
R35	76-471-01	470	



RC1	99-124-01	8 PIN RIBBON
RC2	99-124-01	8 PIN RIBBON
RC3	99-124-02	12 PIN RIBBON
V1	97-127-01	12AX7 TUBE
V2	97-127-01	12AX7 TUBE
V3	95-684-01	EL-84 TUBE
V4	95-684-01	EL-84 TUBE
-	06A277-01	PC BOARD
JW1-22	76-000-XX	JUMPER WIRE

NOT USED: J20

NOTES

1) CAUTION: SHOCK HAZARD!  
THIS UNIT CONTAINS HAZARDOUS VOLTAGE. DISCONNECT POWER AND BE SURE POWER SUPPLY IS DISCHARGED BEFORE TOUCHING INTERNAL PARTS.

2) UNLESS NOTED, RESISTOR VALUES IN OHMS, 1/4W-5% TOL. CAPACITOR VALUES IN MICROFARADS, 50V-10% TOL.

REV	DATE	BY	CHK'D	DESCRIPTION
7	08/10/98	JRC	-	CHG'D RADIAL PARTS PER ECO #980025
6	08/26/97	SWR		SCHEMATIC CHANGED, PICTORIAL NOT AFFECTED. PER ECO #970471.
5	3/5/97	REM	OK	FUSECLIPS TO -02 PER E970101.
4	08/21/96	SWR		CHANGED VALUE OF R33. PER ECO #960355.
3	09/09/95	REM		CHG'D J10 TO .250" TAB PER E950049.
2	06/23/95	SWR		DELETED D9,D10 PER E950140
1	04/10/95	REM		ART TO REV 1, ADDED JW22 & C32 PER E950011

SIGNATURES:		DATE:	 11880 BORMAN DR. ST. LOUIS, MISSOURI 63146
DRAWN:	REM	12/21/94	
CHK'D:	OK	05/15/95	PROJECT NAME:
APP'D:	OK	05/15/95	J-12T
ORIGINAL ISSUED:	12/21/94	DRAWING NAME:	
PLOT DATE:	09/29/98	PICTORIAL DRAWING	
PLOT TIME:	13:36:18	DRAWING NO.	07P277-01
FILE NAME:	27701P7_	REV.	7_
SCALE:	1:1	SHEET:	1 OF 1