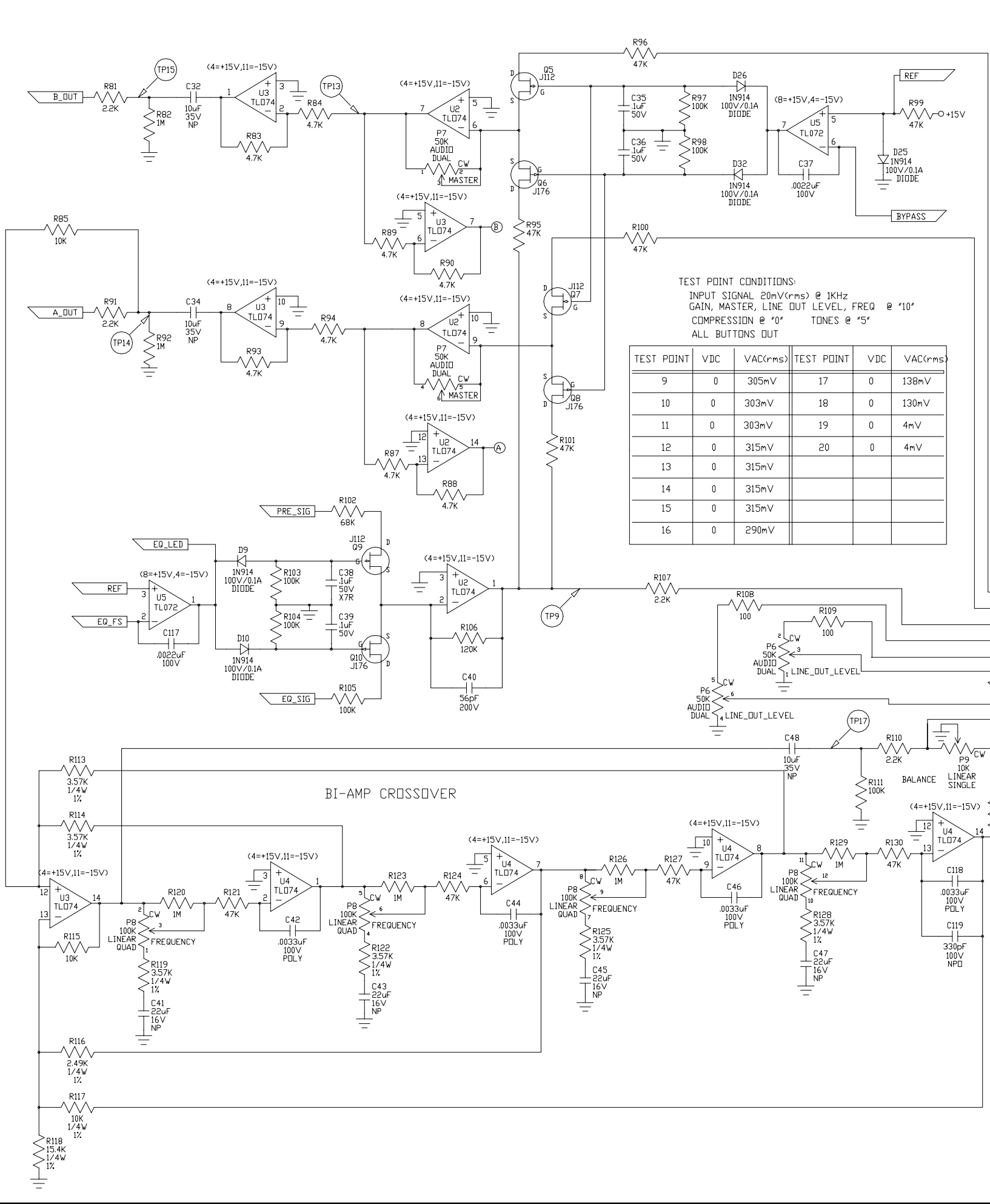


TEST POINT CONDITIONS:
 INPUT SIGNAL 20mV(rms) @ 1KHz
 GAIN, MASTER, LINE OUT LEVEL, FREQ @ '10'
 COMPRESSION @ '0' TONES @ '5'

TEST POINT	VDC	VAC(rms)
1	0	20mV
2	0	500mV
3	0	866mV
4	0	1.27V
5	95mV	45.5mV
6	0	162mV
7	19.2V	12nV
8	-19.2V	12nV

TUBE INSTALLATION CHART		
V1	97B127-01	12AX7
V2	95F127-01	12AX7
V3	95F127-01	12AX7

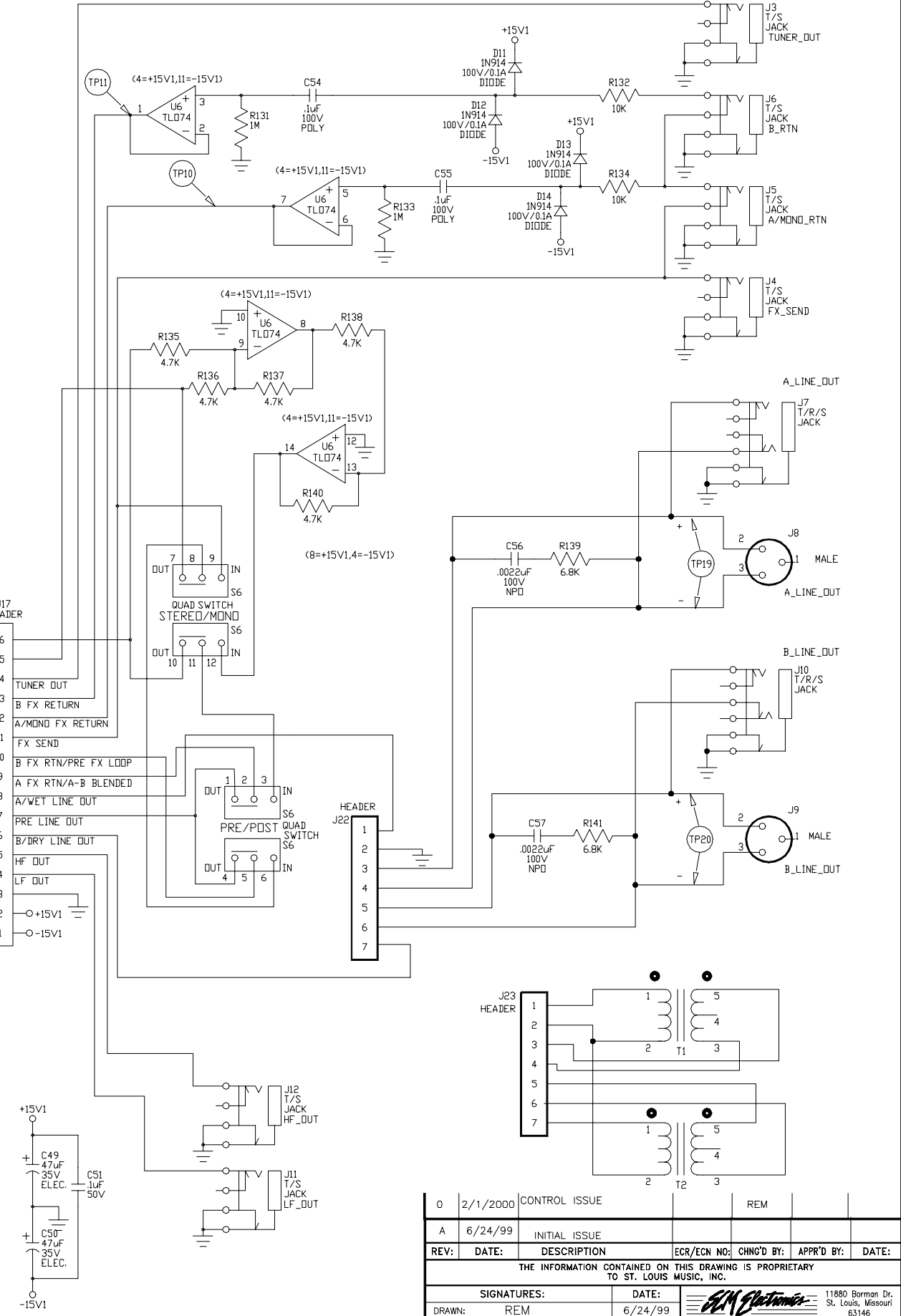
0	2/1/2000	CONTROL ISSUE		REM	
A	6/24/99	INITIAL ISSUE			
REV:	DATE:	DESCRIPTION	ECR/ECN NO:	CHNG'D BY:	APPR'D BY: DATE:
THE INFORMATION CONTAINED ON THIS DRAWING IS PROPRIETARY TO ST. LOUIS MUSIC, INC.					
SIGNATURES:		DATE:		11880 Borman Dr. St. Louis, Missouri 63146	
DRAWN: REM		6/24/99		SVT4PROa	
CHK'D:				FIRST USED ON:	
RLS'D:				SVT4PROa	
TOLERANCES:		DRAWING SIZE: D		DRAWING TITLE: SCHEMO - BASS PREAMP	
		DRAWING TYPE: SCHEMO		DRAWING NO.:	
		CLASS CODE:		07S539-04	
		SCALE: NONE		SHEET: 1 of 3	



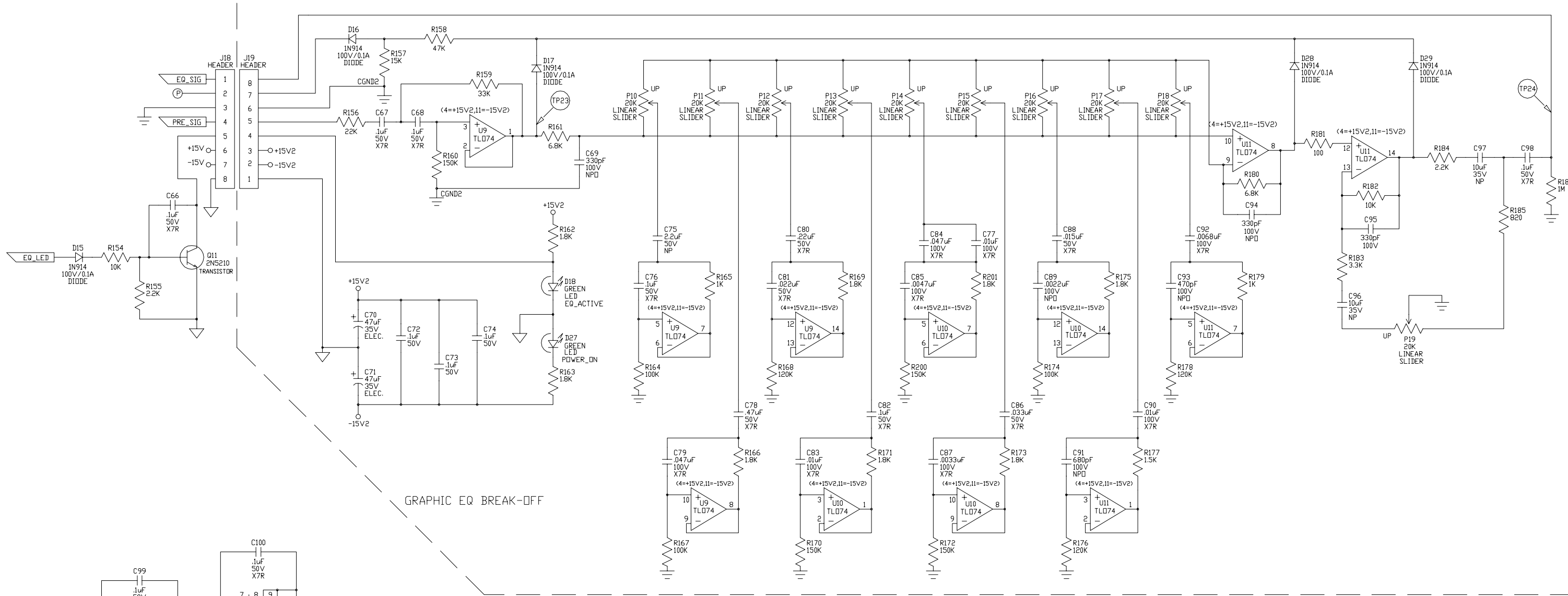
TEST POINT CONDITIONS:
 INPUT SIGNAL 20mV(rms) @ 1KHz
 GAIN, MASTER, LINE OUT LEVEL, FREQ @ '10'
 COMPRESSION @ '0' TONES @ '5'
 ALL BUTTONS OUT

TEST POINT	VDC	VAC(rms)	TEST POINT	VDC	VAC(rms)
9	0	305mV	17	0	138mV
10	0	303mV	18	0	130mV
11	0	303mV	19	0	4mV
12	0	315mV	20	0	4mV
13	0	315mV			
14	0	315mV			
15	0	315mV			
16	0	290mV			

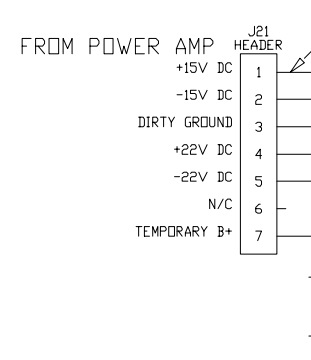
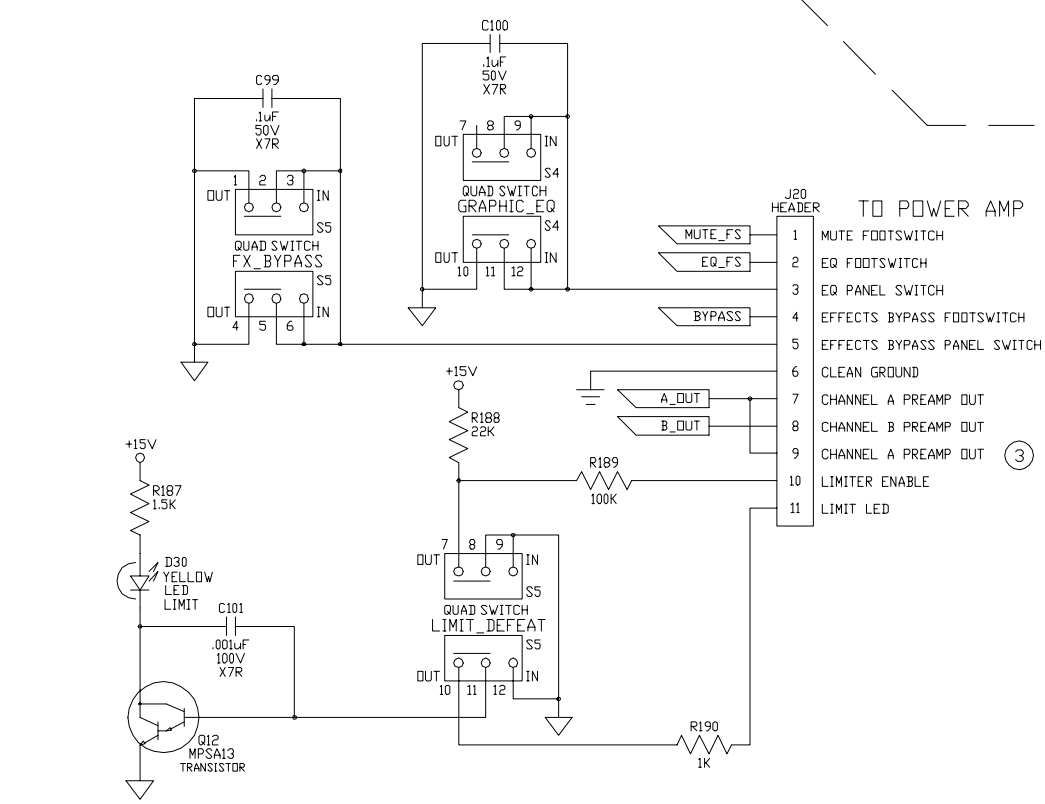
LINE OUT BREAK-OFF



0	2/1/2000	CONTROL ISSUE		REM	
A	6/24/99	INITIAL ISSUE			
REV:	DATE:	DESCRIPTION	ECR/ECN NO:	CHNG'D BY:	APPR'D BY: DATE:
THE INFORMATION CONTAINED ON THIS DRAWING IS PROPRIETARY TO ST. LOUIS MUSIC, INC.					
SIGNATURES:		DATE:		11880 Borman Dr. St. Louis, Missouri 63146	
DRAWN:	REM	6/24/99		<i>St. Louis Music</i>	
CHK'D:				FIRST USED ON:	
RLS'D:				SVT4PR0a	
TOLERANCES:	DRAWING SIZE: D	DRAWING TITLE: SCHEMO - BASS PREAMP		DRAWING NO.:	
	DRAWING TYPE: SCHEMO			07S539-04	
	CLASS CODE:			SCALE: NONE SHEET: 2 OF 3	

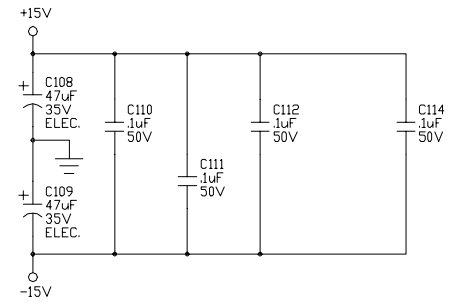


GRAPHIC EQ BREAK-OFF

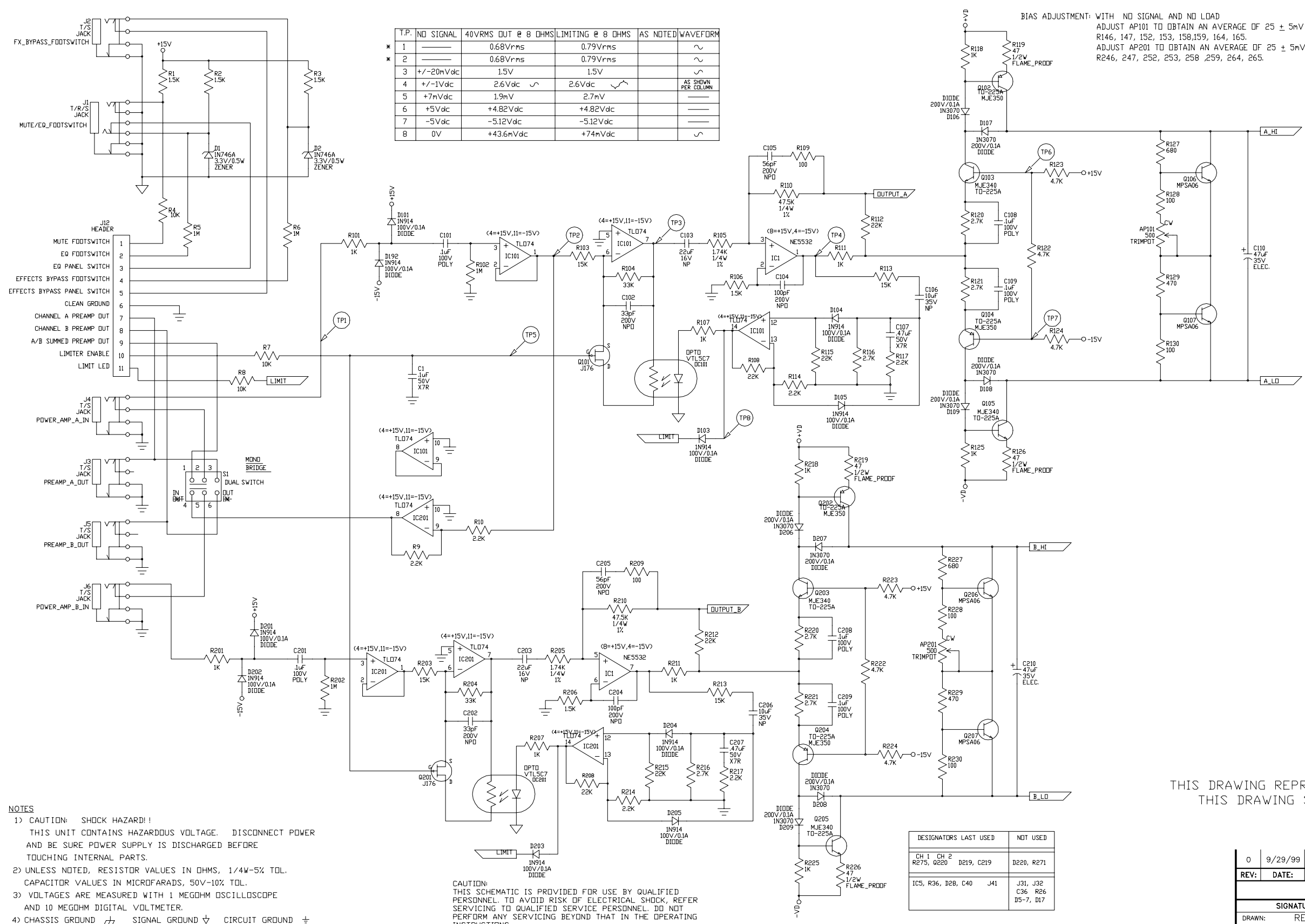


TEST POINT CONDITIONS:
 INPUT SIGNAL 20mV(rms) @ 1KHz
 GAIN, MASTER, LINE OUT LEVEL, FREQ @ '10'
 COMPRESSION @ '0' TONES @ '5'
 ALL BUTTONS OUT

TEST POINT	VDC	VAC(rms)
23	0	143mV
24	0	207mV
25	15V	1mV
26	-15V	1mV
27	24.5V	375mV
28	-24.5V	350mV
29	278V	----



0	2/1/2000	CONTROL ISSUE	REM		
A	6/24/99	INITIAL ISSUE			
REV:	DATE:	DESCRIPTION	ECR/ECN NO:	CHNG'D BY:	APPR'D BY:
THE INFORMATION CONTAINED ON THIS DRAWING IS PROPRIETARY TO ST. LOUIS MUSIC, INC.					
SIGNATURES:		DATE:		11880 Borman Dr. St. Louis, Missouri 63146	
DRAWN:	REM	6/24/99		SVT4PROa	
CHK'D:				FIRST USED ON:	
RLS'D:				DRAWING TITLE: SCHEMO - BASS PREAMP	
TOLERANCES:	DRAWING SIZE: D	DRAWING TYPE: SCHEMO		DRAWING NO.: 07S539-04	
	CLASS CODE:	SCALE: NONE		SHEET: 3 OF 3	



T.P.	NO SIGNAL	40VRMS OUT @ 8 OHMS	LIMITING @ 8 OHMS	AS NOTED	WAVEFORM
* 1		0.68Vrms	0.79Vrms		~
* 2		0.68Vrms	0.79Vrms		~
3	+/-20mVdc	1.5V	1.5V		
4	+/-1Vdc	2.6Vdc	2.6Vdc		AS SHOWN PER COLUMN
5	+7mVdc	1.9mV	2.7mV		
6	+5Vdc	+4.82Vdc	+4.82Vdc		
7	-5Vdc	-5.12Vdc	-5.12Vdc		
8	0V	+43.6mVdc	+74mVdc		

BIAS ADJUSTMENT: WITH NO SIGNAL AND NO LOAD
 ADJUST AP101 TO OBTAIN AN AVERAGE OF 25 ± 5mV ACROSS R139, 140, 146, 147, 152, 153, 158, 159, 164, 165.
 ADJUST AP201 TO OBTAIN AN AVERAGE OF 25 ± 5mV ACROSS R239, 240, 246, 247, 252, 253, 258, 259, 264, 265.

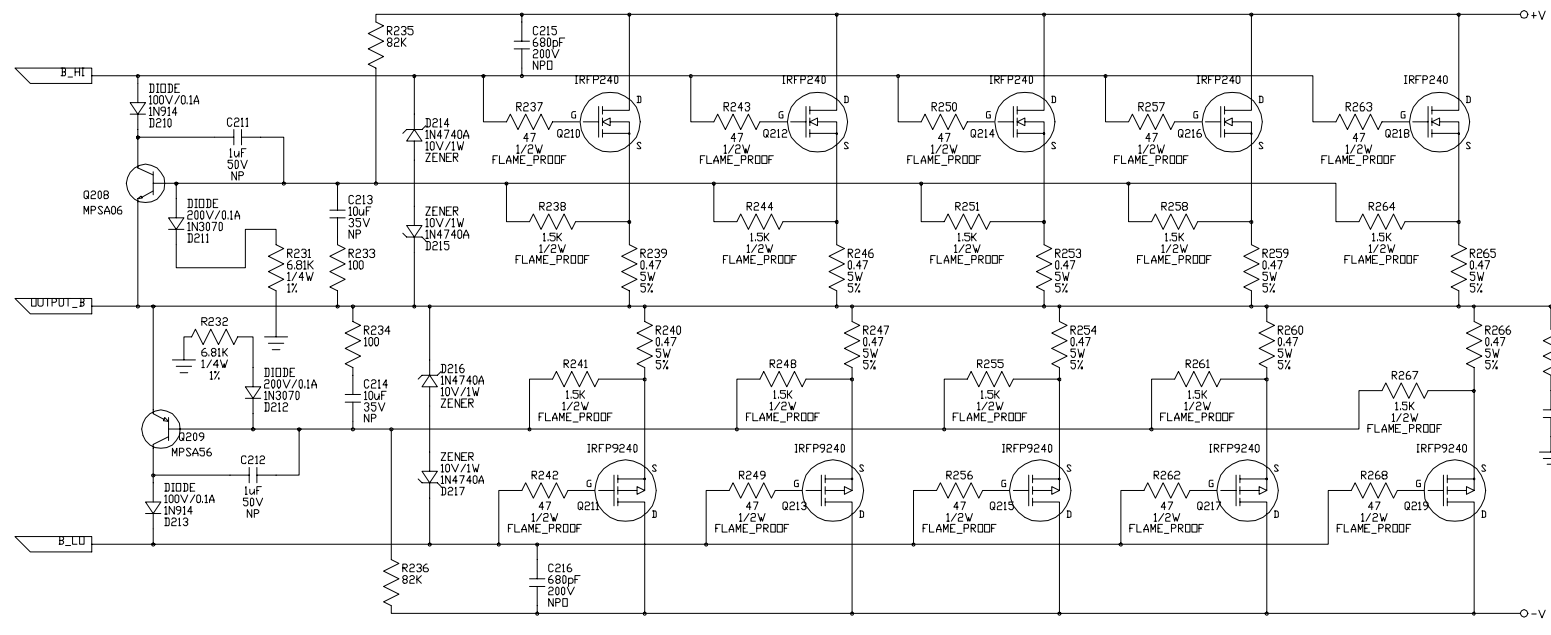
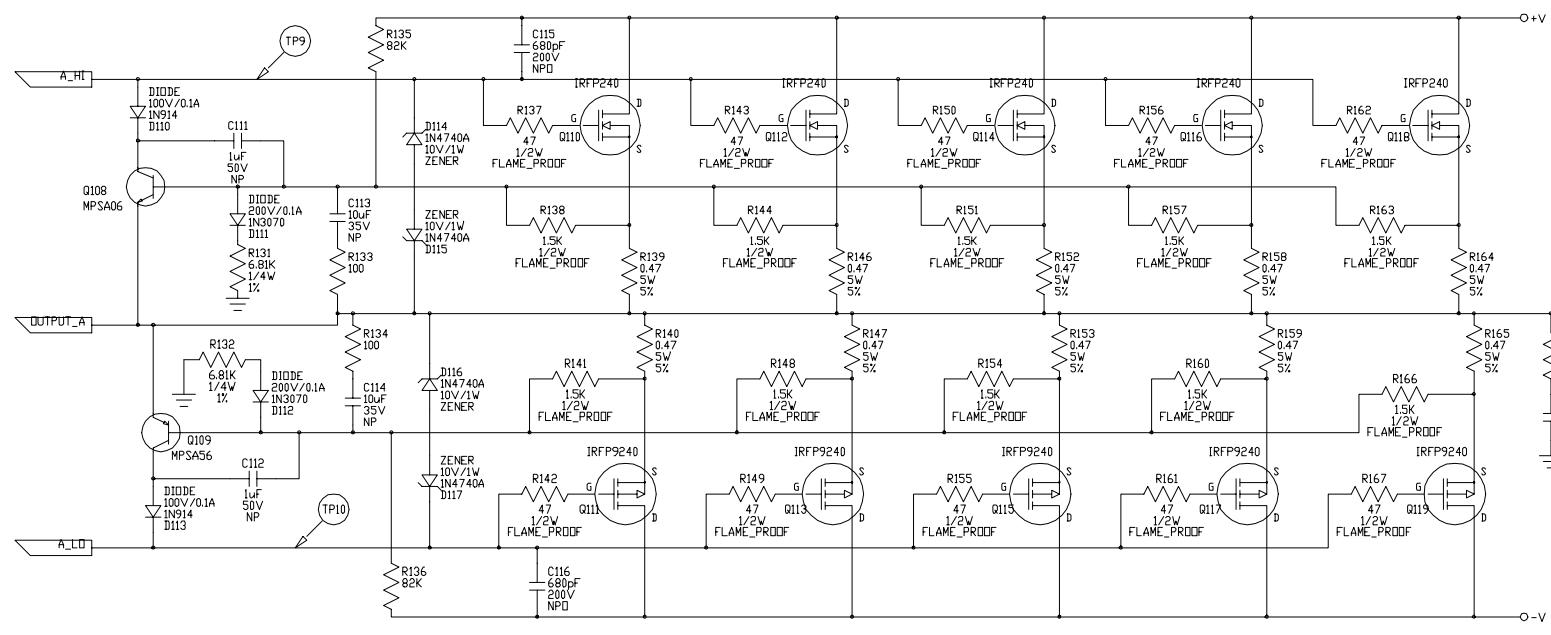
- NOTES
- CAUTION: SHOCK HAZARD!! THIS UNIT CONTAINS HAZARDOUS VOLTAGE. DISCONNECT POWER AND BE SURE POWER SUPPLY IS DISCHARGED BEFORE TOUCHING INTERNAL PARTS.
 - UNLESS NOTED, RESISTOR VALUES IN OHMS, 1/4W-5% TOL. CAPACITOR VALUES IN MICROFARADS, 50V-10% TOL.
 - VOLTAGES ARE MEASURED WITH 1 MEGOHM OSCILLOSCOPE AND 10 MEGOHM DIGITAL VOLTMETER.
 - CHASSIS GROUND \uparrow SIGNAL GROUND \downarrow CIRCUIT GROUND \perp

CAUTION: THIS SCHEMATIC IS PROVIDED FOR USE BY QUALIFIED PERSONNEL TO AVOID RISK OF ELECTRICAL SHOCK. REFER SERVICING TO QUALIFIED SERVICE PERSONNEL. DO NOT PERFORM ANY SERVICING BEYOND THAT IN THE OPERATING INSTRUCTIONS.

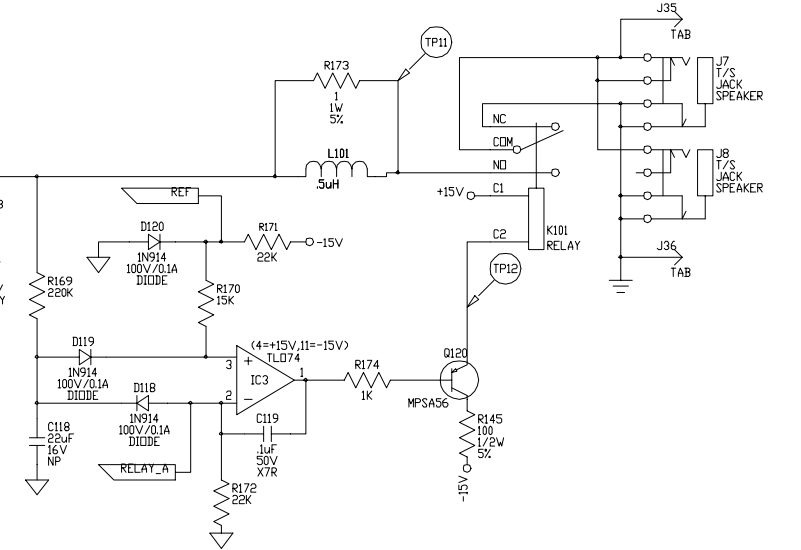
DESIGNATOR'S LAST USED	NOT USED
CH 1, CH 2, R275, Q220	D219, C219, D220, R271
IC5, R36, D28, C40, J41	J31, J32, C36, R26, D5-7, D17

THIS DRAWING REPRESENTS ASSY 07-428-01 & -02
 THIS DRAWING SUPERCEDES 07S428-01

0	9/29/99	CONTROL ISSUE	REM		
REV:	DATE:	DESCRIPTION:	ECR/ECN NO:	CHNG'D BY:	APPR'D BY:
THE INFORMATION CONTAINED ON THIS DRAWING IS PROPRIETARY TO ST. LOUIS MUSIC, INC.					
SIGNATURES:		DATE:	11880 Borman Dr. St. Louis, Missouri 63146		
DRAWN: REM		9-26-96	FIRST USED ON: SVT-4 PRO		
CHK'D:			DRAWING TITLE: PWR AMP SCH		
RLS'D:			DRAWING NO: 07S428-XX		
TOLERANCES:	DRAWING SIZE: D				
	DRAWING TYPE:				
	CLASS CODE:				
	SCALE: NONE	SHEET: 1 OF 3			



T.P.	NO SIGNAL	40VRMS OUT @ 8 OHMS	LIMITING @ 8 OHMS	AS NOTED	WAVEFORM
9	+3.6Vdc	40Vrms	45Vrms		~
10	-3.5Vdc	40Vrms	45Vrms		~
11	7.2mVdc	40Vrms	45Vrms		~
12	-11.52Vdc	-11.8Vdc	-11.8Vdc		—



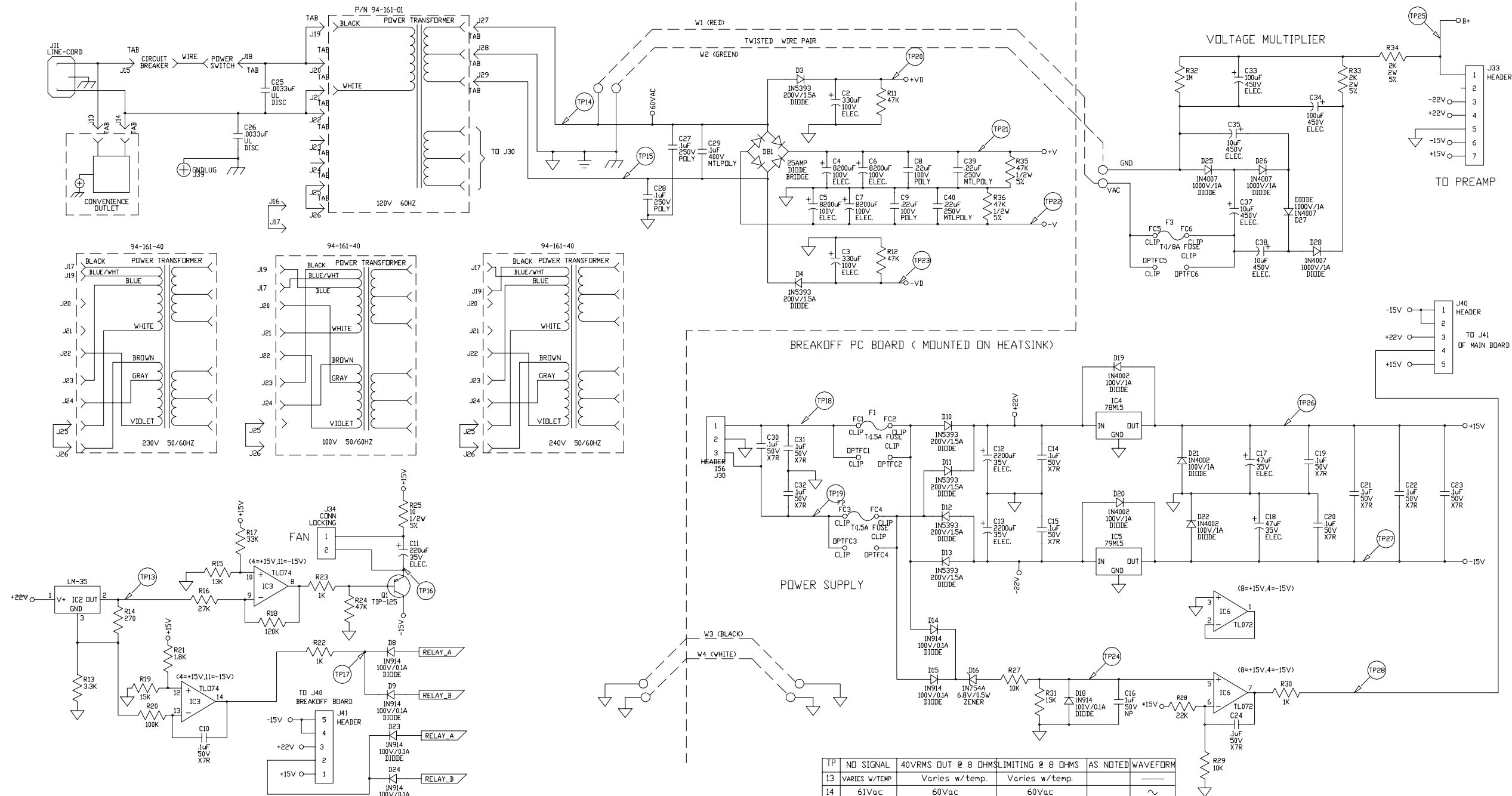
BIAS ADJUSTMENT: WITH NO SIGNAL AND NO LOAD
 ADJUST AP101 TO OBTAIN AN AVERAGE OF 25. + 5mV ACROSS R139, 140, R146, 147, 152, 153, 158, 159, 164, 165.
 ADJUST AP201 TO OBTAIN AN AVERAGE OF 25. + 5mV ACROSS R239, 240, R246, 247, 252, 253, 258, 259, 264, 265.

NOTES

- 1) CAUTION: SHOCK HAZARD!! THIS UNIT CONTAINS HAZARDOUS VOLTAGE. DISCONNECT POWER AND BE SURE POWER SUPPLY IS DISCHARGED BEFORE TOUCHING INTERNAL PARTS.
- 2) UNLESS NOTED, RESISTOR VALUES IN OHMS, 1/4W-5% TOL. CAPACITOR VALUES IN MICROFARADS, 50V-10% TOL.
- 3) VOLTAGES ARE MEASURED WITH 1 MEGOHM OSCILLOSCOPE AND 10 MEGOHM DIGITAL VOLTMETER.
- 4) CHASSIS GROUND ⚡ SIGNAL GROUND ⚡ CIRCUIT GROUND ⚡

CAUTION: THIS SCHEMATIC IS PROVIDED FOR USE BY QUALIFIED PERSONNEL. TO AVOID RISK OF ELECTRICAL SHOCK, REFER SERVICING TO QUALIFIED SERVICE PERSONNEL. DO NOT PERFORM ANY SERVICING BEYOND THAT IN THE OPERATING INSTRUCTIONS.

0	SEE SHT 1 FOR REV HISTORY
REV:	DATE: DESCRIPTION ECR/ECN NO. CHNG'D BY: APPR'D BY: DATE:
THE INFORMATION CONTAINED ON THIS DRAWING IS PROPRIETARY TO ST. LOUIS MUSIC, INC.	
SIGNATURES:	DATE: 9/29/99
DRAWN: REM	11880 Berman Dr. St. Louis, Missouri 63146
CHK'D:	FIRST USED ON: SVT-4 PRO
RLS'D:	DRAWING TITLE: PWR AMP SCH
TOLERANCES:	DRAWING SIZE: D DRAWING NO: 07S428-XX
DRAWING TYPE:	SCALE: NONE SHEET: 2 OF 3



NOTES

- 1) CAUTION: SHOCK HAZARD!! THIS UNIT CONTAINS HAZARDOUS VOLTAGE. DISCONNECT POWER AND BE SURE POWER SUPPLY IS DISCHARGED BEFORE TOUCHING INTERNAL PARTS.
- 2) UNLESS NOTED, RESISTOR VALUES IN OHMS, 1/4W-5% TOL. CAPACITOR VALUES IN MICROFARADS, 50V-10% TOL.
- 3) VOLTAGES ARE MEASURED WITH 1 MEGOHM OSCILLOSCOPE AND 10 MEGOHM DIGITAL VOLTMETER.
- 4) CHASSIS GROUND \perp SIGNAL GROUND ∇ CIRCUIT GROUND \oplus
- 5) 94-161-30 DID NOT HAVE EXTRA BLU/WHT PRIMARY XFMR LEAD.

CAUTION:

THIS SCHEMATIC IS PROVIDED FOR USE BY QUALIFIED PERSONNEL. TO AVOID RISK OF ELECTRICAL SHOCK, REFER SERVICING TO QUALIFIED SERVICE PERSONNEL. DO NOT PERFORM ANY SERVICING BEYOND THAT IN THE OPERATING INSTRUCTIONS.

TP	NO SIGNAL	40VRMS OUT @ 8 OHMS LIMITING @ 8 OHMS	AS NOTED	WAVEFORM
13	VARIES W/TEMP	Varies w/temp.	Varies w/temp.	---
14	61Vac	60Vac	60Vac	~
15	61Vac	60Vac	60Vac	~
16	+14Vdc	-4.6Vdc	-4.6Vdc	---
17	+14.4Vdc	+14.4Vdc	+14.4Vdc	---
18	20Vac	19Vac	19Vac	~
19	20Vac	19Vac	19Vac	~
20	+82Vdc	+76.3Vdc	+76.3Vdc	~
21	+83Vdc	+76Vdc	+76Vdc	~
22	-83Vdc	-76Vdc	-76Vdc	~
23	-82Vdc	-76.3Vdc	-76.3Vdc	~
24	+6Vdc	+5.73Vdc	+5.73Vdc	---
25	+288Vdc	+267.7Vdc	+266Vdc	---
26	+15Vdc	+15Vdc	+15Vdc	---
27	-15Vdc	-15Vdc	-15Vdc	---
28	+14.3Vdc	+14.3Vdc	+14.3Vdc	---

9	SEE SHT 1 FOR REV HISTORY					
REV:	DATE:	DESCRIPTION:	ECR/ECN NO:	CHNG'D BY:	APPR'D BY:	DATE:
THE INFORMATION CONTAINED ON THIS DRAWING IS PROPRIETARY TO ST. LOUIS MUSIC, INC.						
SIGNATURES:		DATE:		11880 Borman Dr. St. Louis, Missouri 63146		
DRAWN:	REM	9/29/99		SVT-4 PRO		
CHK'D:				DRAWING TITLE: PWR AMP SCH		
RLS'D:				DRAWING NO: 07S428-XX		
TOLERANCES:	DRAWING SIZE: D	DRAWING TYPE:		CLASS CODE:		
	DRAWING TYPE:	CLASS CODE:		SCALE: NONE		
	SCALE: NONE	SHEET: 3 OF 3				