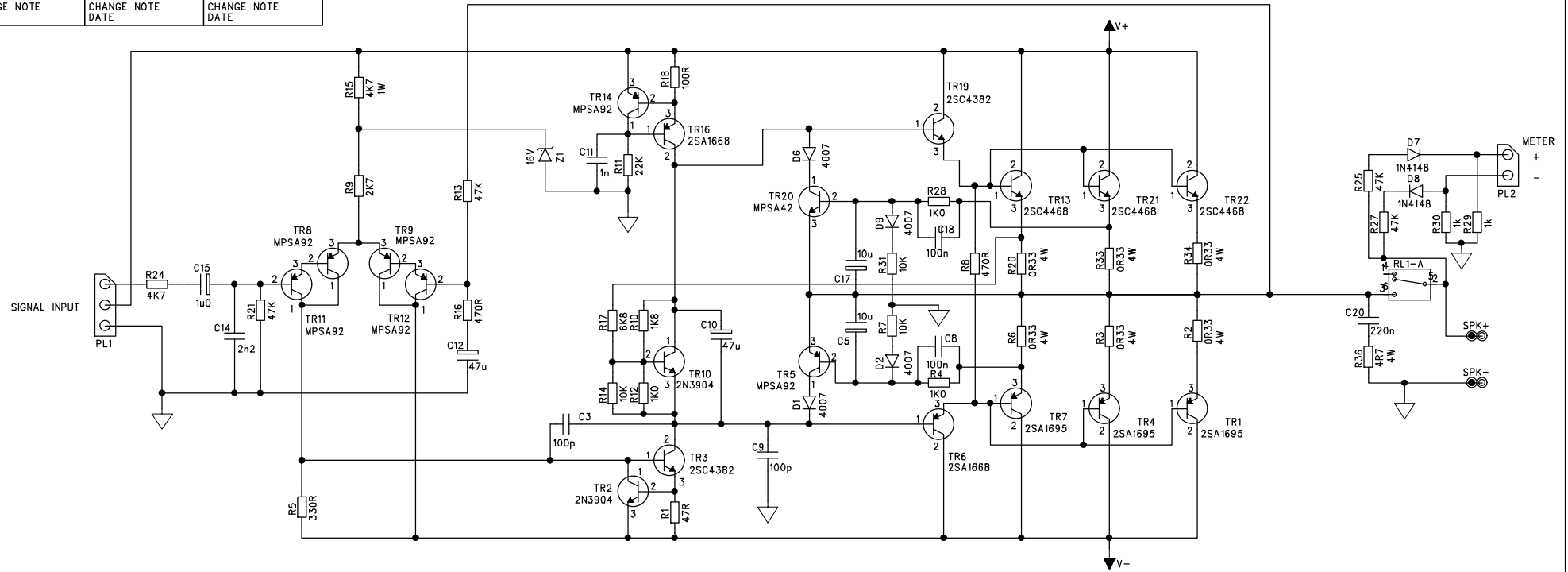
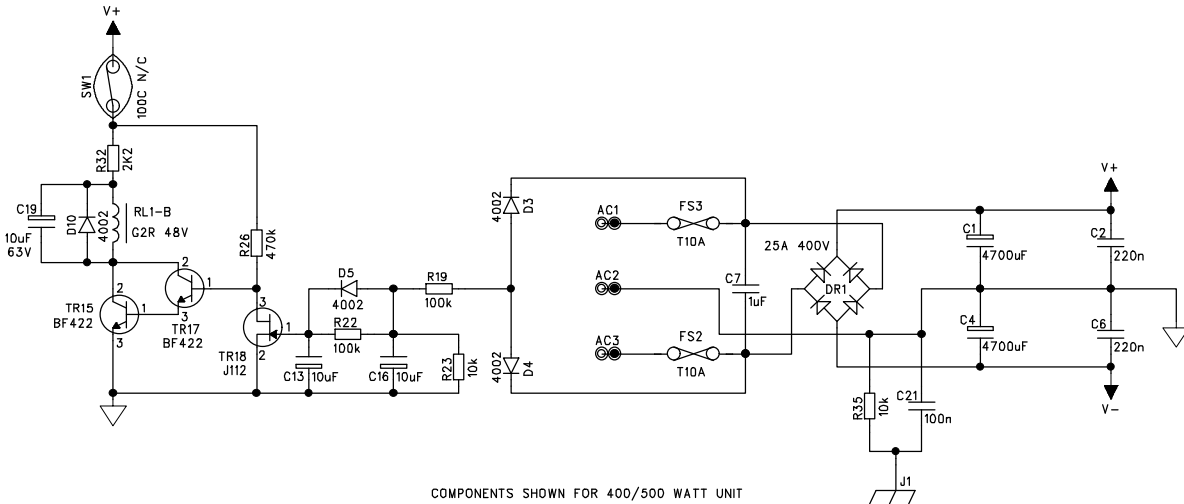
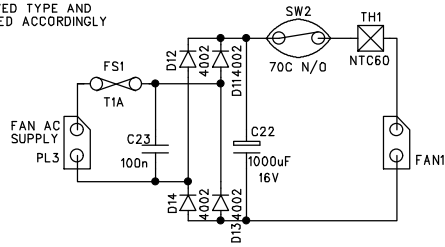


ISSUE CHANGE NOTE DATE	ISSUE CHANGE NOTE DATE	ISSUE CHANGE NOTE DATE
ISSUE CHANGE NOTE DATE	ISSUE CHANGE NOTE DATE	ISSUE CHANGE NOTE DATE



COMPONENTS USED ARE OF AN APPROVED TYPE AND MUST BE REPLACED ACCORDINGLY

SW2 OPTIONAL FIT LINK IF NOT REQUIRED



PCB = APC0001

TITLE	ABM OUTPUT BOARD	ASHDOWN
PROJECT	BASS MAGNIFIER	
DRAWING No	ACD033	
ISSUE	A	
DATE	26/04/02	
DRAWN BY	CLIVE BUTTON	ENGLAND TEL FAX

COMPONENTS SHOWN FOR 400/500 WATT UNIT
FOR 300 WATT UNIT LEAVE OFF:- TR3,TR6,C21,C22