

REVISIONS G (11/07/03)

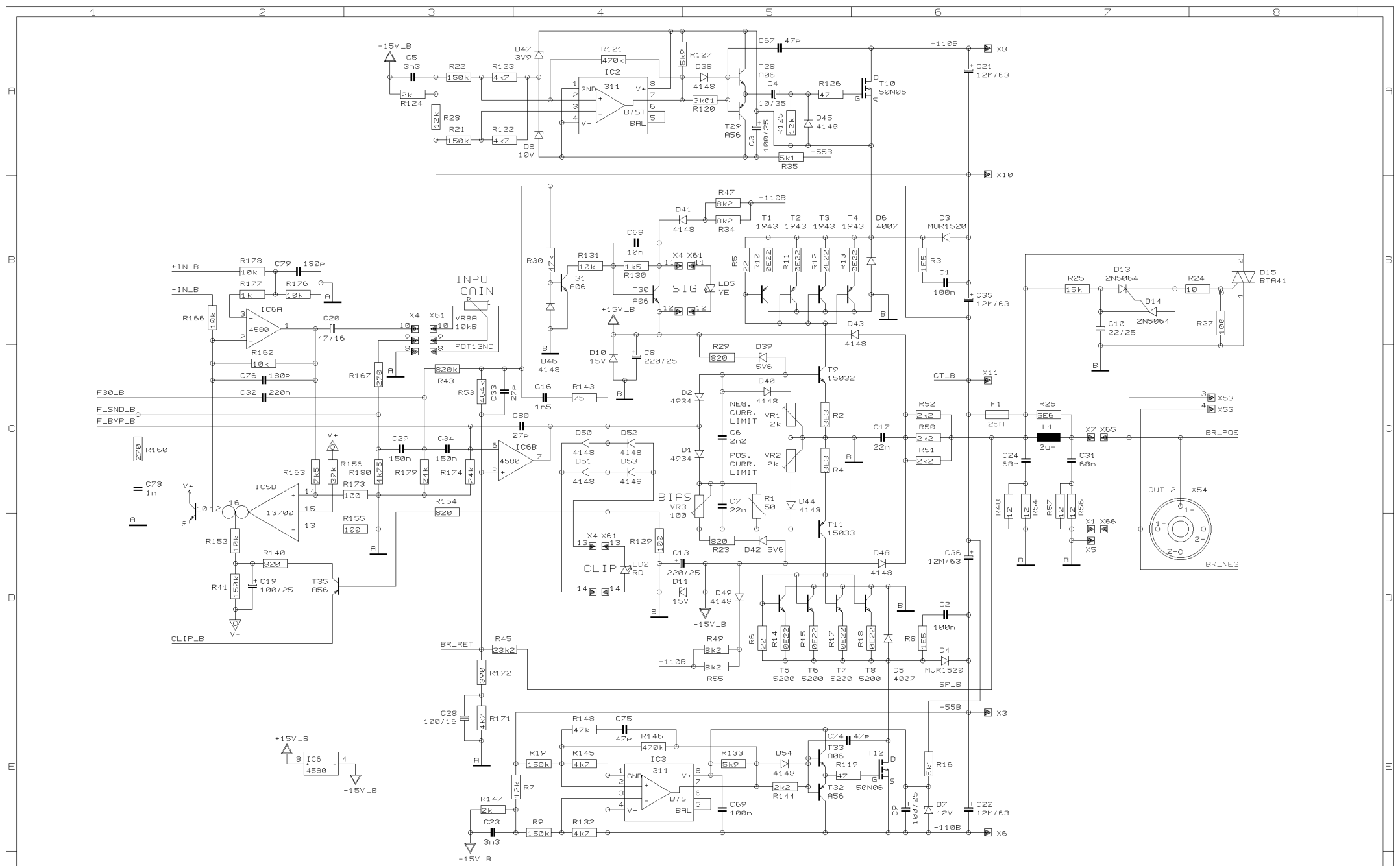
DRAWN DF/SA

CHECKED

DATE 12.07.4  
14:42



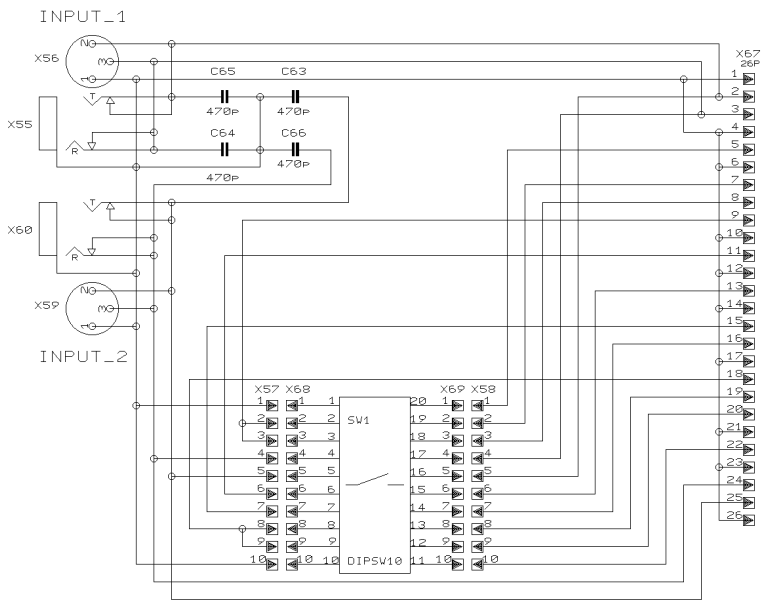
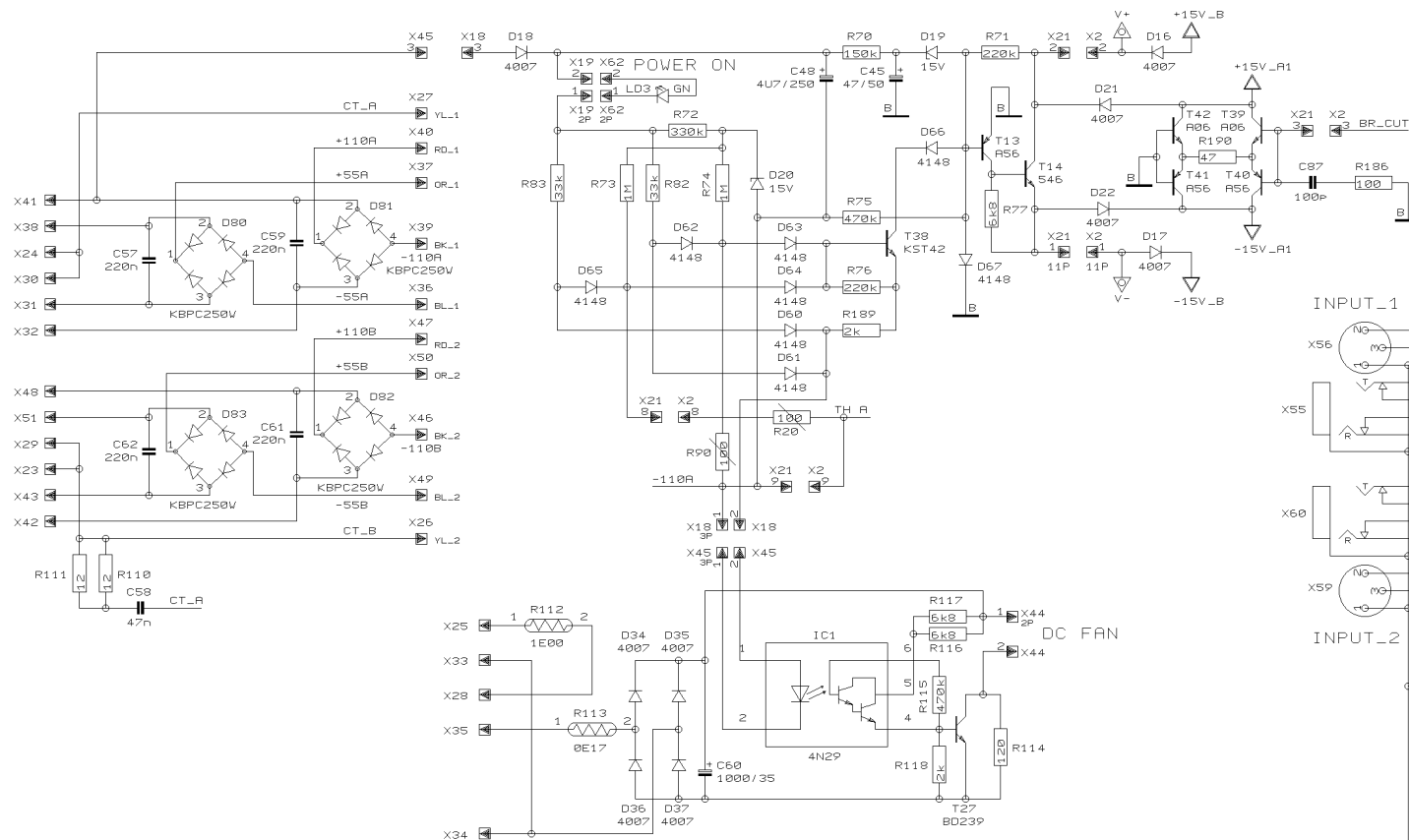
PROJECT  
EP2500  
EUROPOWER  
CHANNEL\_1  
SHEET 1 OF 3 SHEETS TOTAL



REVISIONS	G		
DRAWN	DF / SA	CHECKED	DATE 12.07. 4 14:43



PROJECT  
EP2500  
EUPOWER  
CHANNEL\_2  
SHEET 2 OF 3 SHEETS TOTAL



DIP\_SWITCH\_FUNCTION

1	CH1_CLIP_LIMITER_OFF	20	CH1_CLIP_LIMITER_ON
2	CH1_LOW_FILTER_50HZ	19	CH1_LOW_FILTER_30HZ
3	CH1_LOW_FILTER_ON	18	CH1_LOW_FILTER_OFF
4	STEREO_MODE	17	PARALLEL_INPUTS
5	STEREO_MODE	16	PARALLEL_INPUTS
6	BRIDGE_MODE_OFF	15	BRIDGE_MODE_ON
7	BRIDGE_MODE_OFF	14	BRIDGE_MODE_ON
8	CH2_LOW_FILTER_ON	13	CH2_LOW_FILTER_OFF
9	CH2_LOW_FILTER_50HZ	12	CH2_LOW_FILTER_30HZ
10	CH2_CLIP_LIMITER_OFF	11	CH2_CLIP_LIMITER_ON

REVISIONS		G
DRAWN	DF / SA	CHECKED
DATE		12.07. 4
		14:43



PROJECT  
EP2500  
EUROPOWER  
PSU/INPUT STAGE  
SHEET 3 OF 3 SHEETS TOTAL