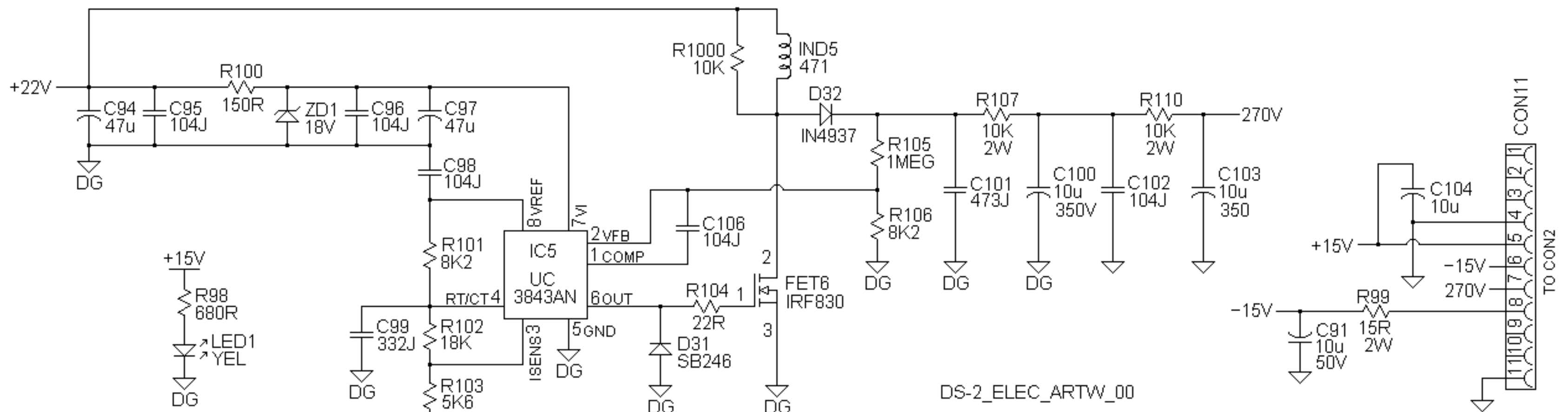
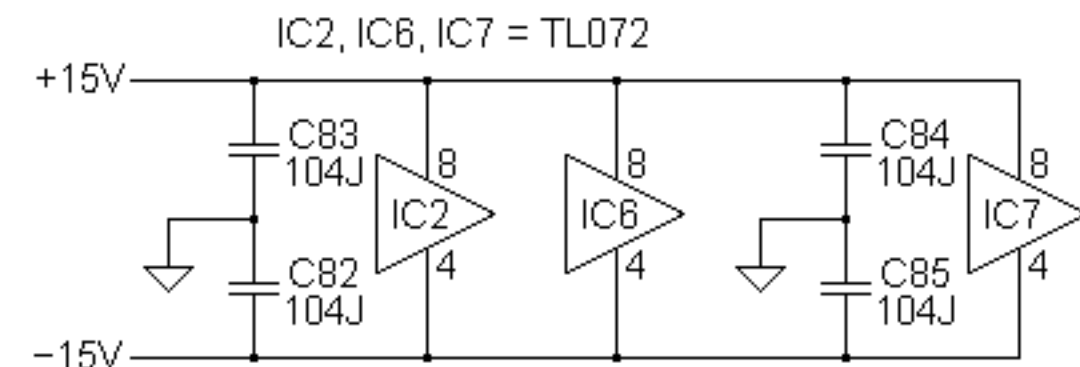
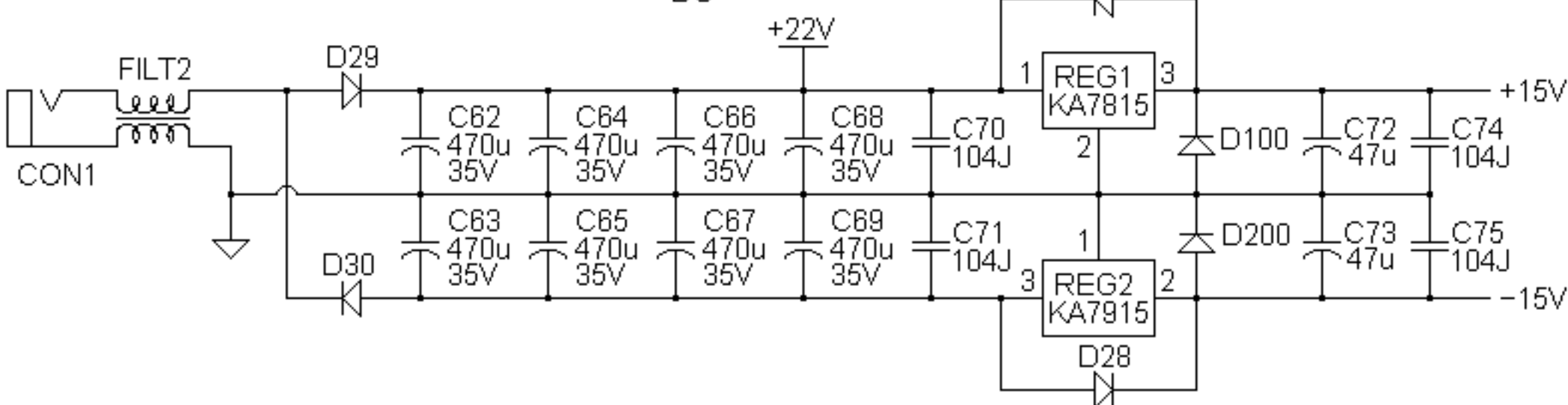


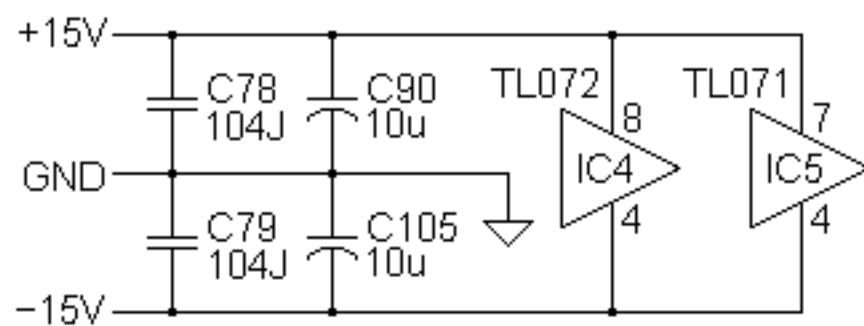
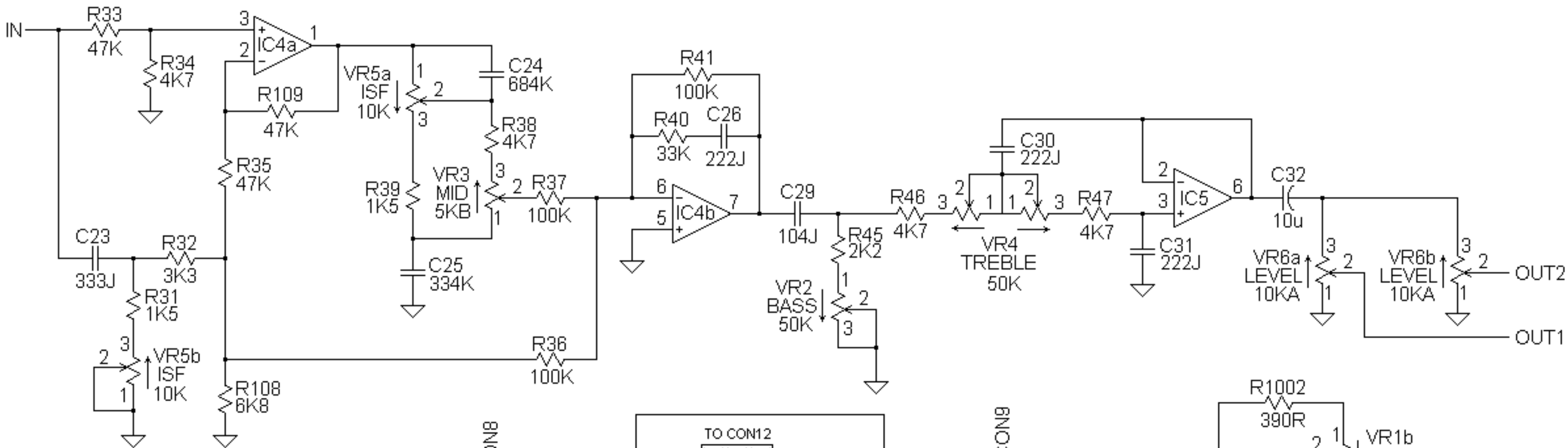
DS-2_ELEC_ARTW_00



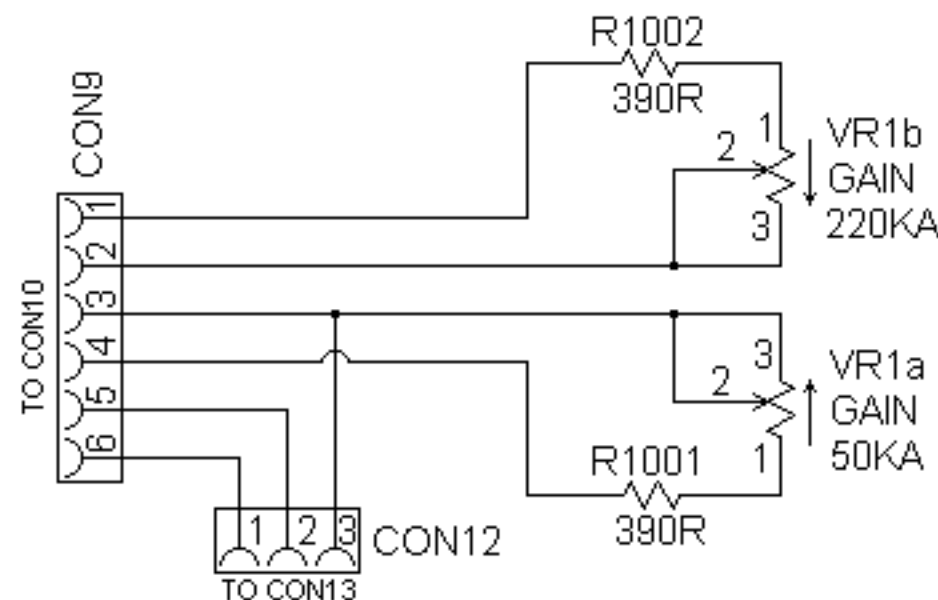
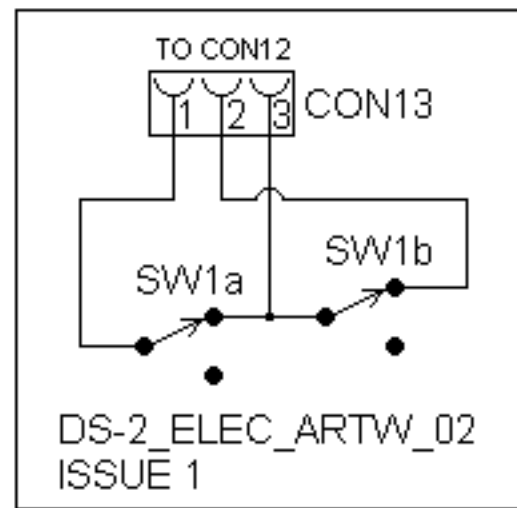
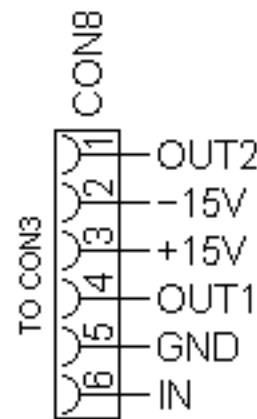
DS-2_ELEC_ARTW_00

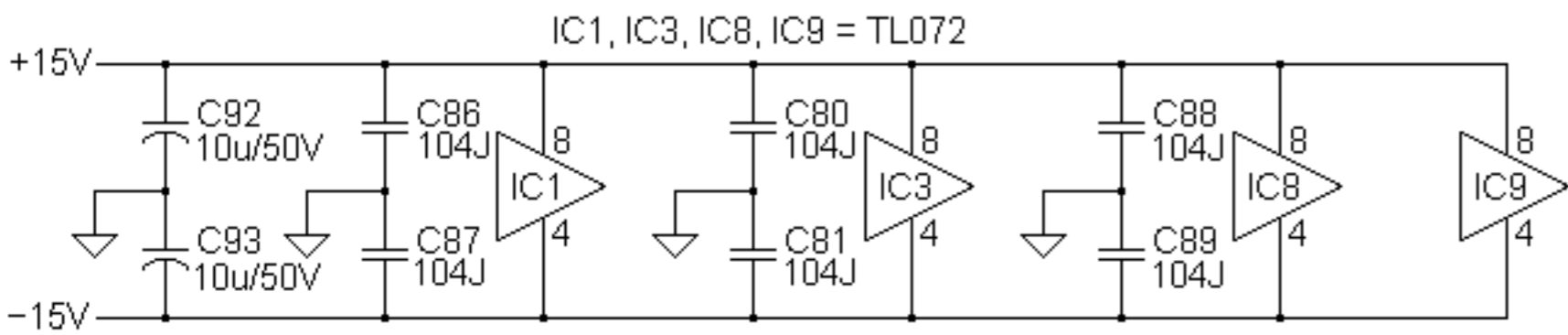
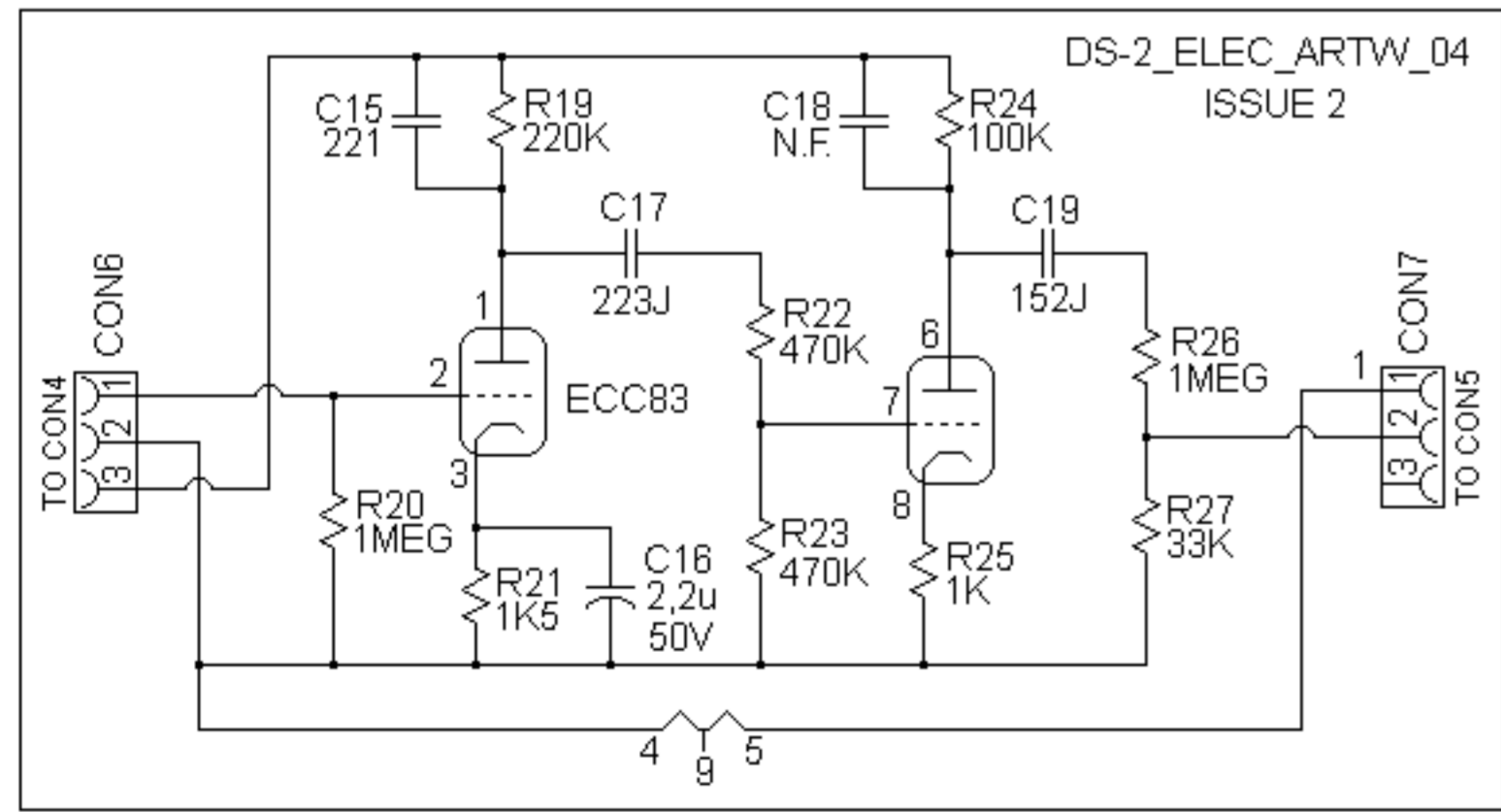
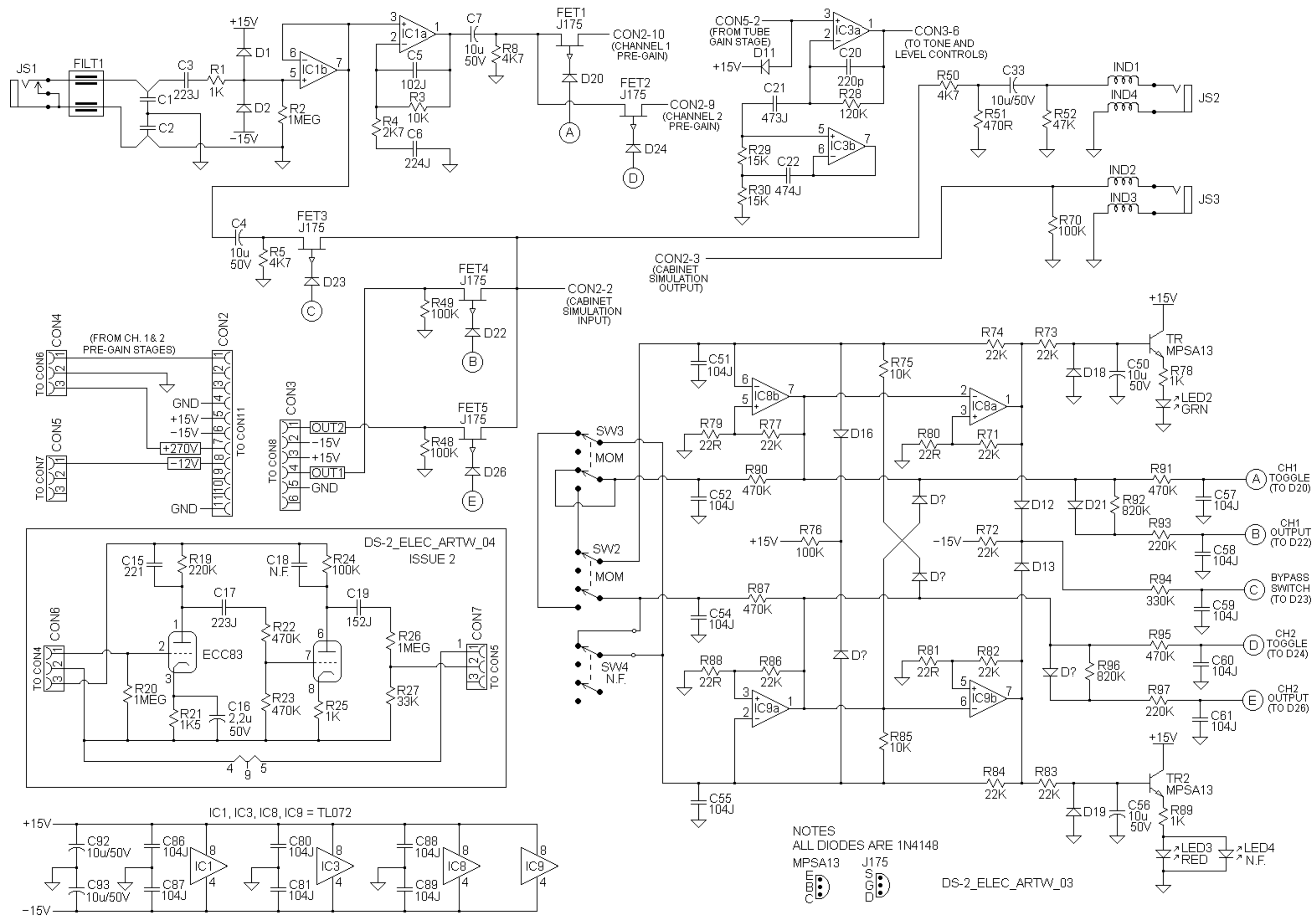


IC2, IC6, IC7 = TL072



DS-2_ELEC_ARTW_01
ISSUE 2





NOTES
 ALL DIODES ARE 1N4148
 MPSA13 J175
 E B C
 S G D

DS-2_ELEC_ARTW_03