

# CHB50

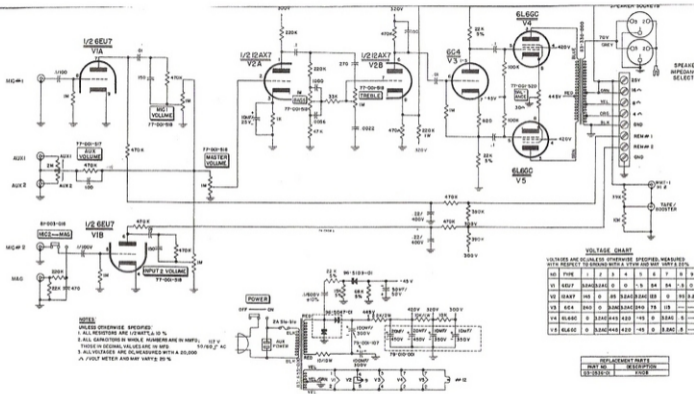


Figure 4 - Schematic Diagram