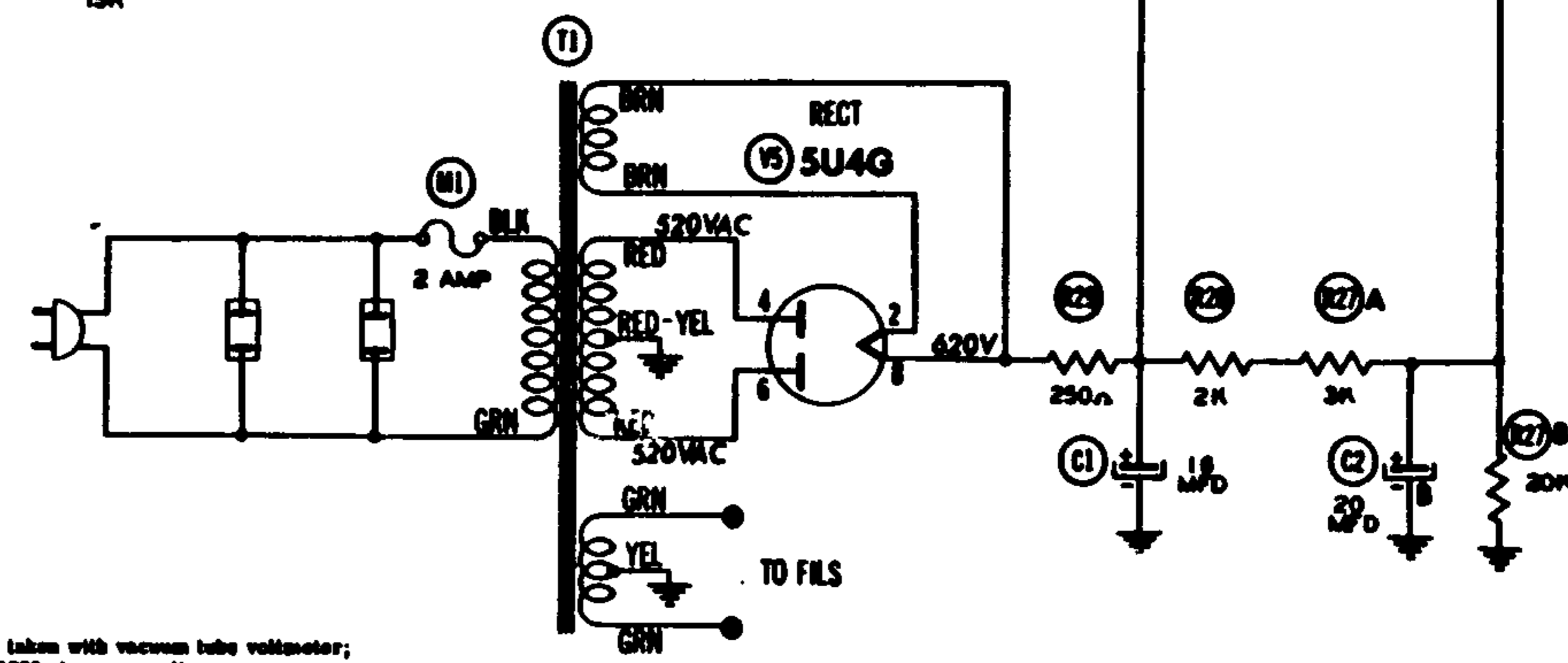


BOGEN DO-30A

RESISTANCE READINGS

Item	Tube	Pin 1	Pin 2	Pin 3	Pin 4	Pin 5	Pin 6	Pin 7	Pin 8	Pin 9
V 1	12AT7	500KΩ	22KΩ	5KΩ	.10	.10	1100KΩ	500KΩ	60KΩ	.10
V 2	12AU7	1155KΩ	1Meg	5KΩ	.10	.10	1155KΩ	1Meg	5KΩ	.10
V 3	KT66	0Ω	.10	1500Ω	12.7KΩ	200KΩ	0Ω	.10	1500Ω	
V 4	KT66	0Ω	.10	1500Ω	12.7KΩ	200KΩ	0Ω	.10	1500Ω	
V 5	5U4G	DNF	1MΩ	DNF	50Ω	DNF	48Ω	DNF	1MΩ	

↑ MEASURED FROM PIN 9 OF V1.



1. DC voltage measurements taken with vacuum tube voltmeter; AC voltages measured at 1000 ohms per volt.
2. Socket connections are shown as bottom views.
3. Measured values are from socket pin to common negative.
4. Line voltage maintained at 117 volts for voltage readings.
5. Nominal tolerance on component values makes possible a variation of ± 10% in voltage and resistance readings.
6. All controls at minimum, proper output load connected.