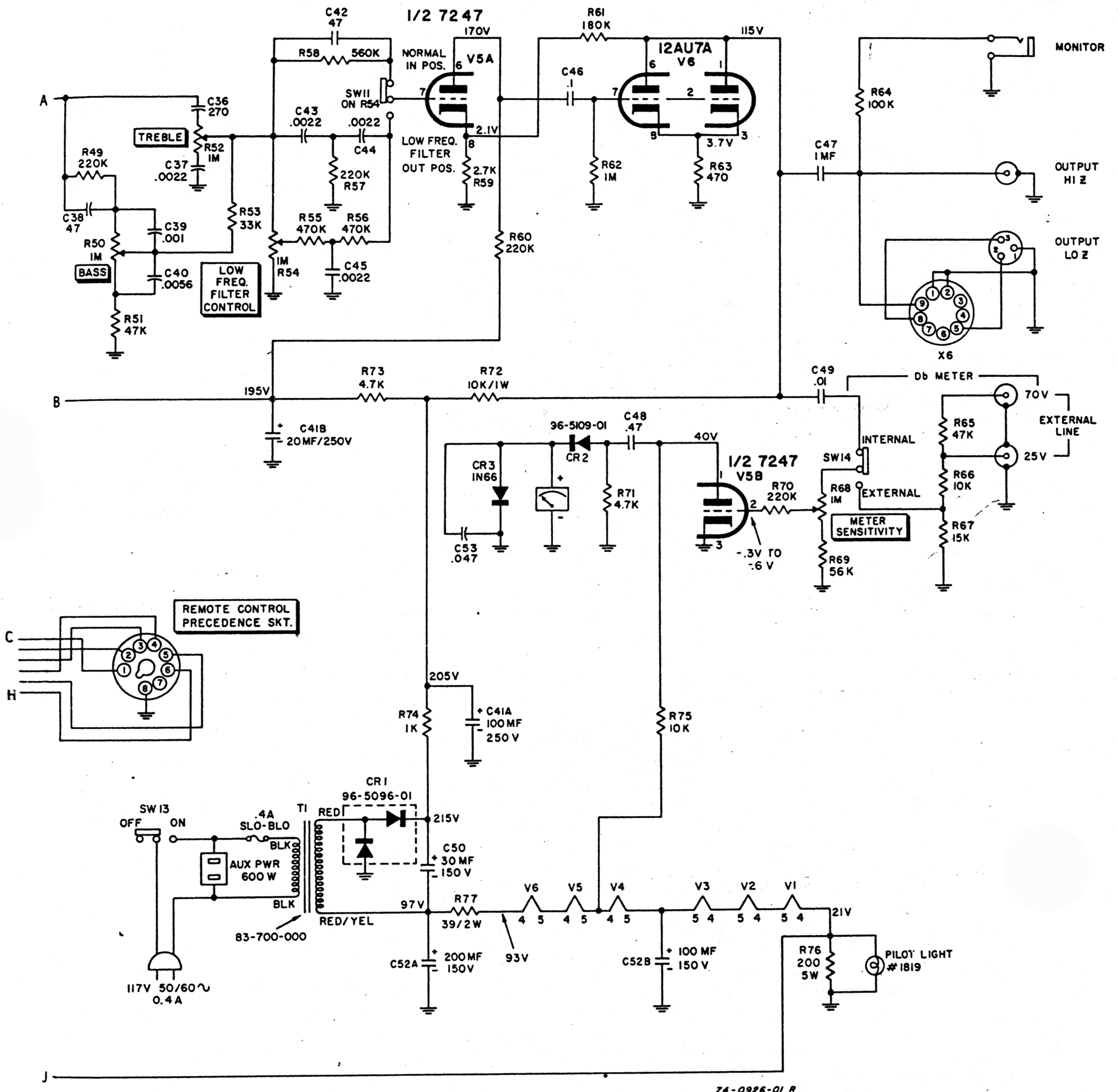


Bogen Model MXM-A



NOTES:

1. ALL RESISTORS ARE 1/2 WATT ± 10%.
2. ALL CAPACITORS IN WHOLE NUMBERS ARE IN MMFD., THOSE IN DECIMAL VALUES ARE IN MFD.
3. ALL VOLTAGES ARE D.C. MEASURED WITH A 20,000Ω VOLT METER, AND MAY VARY ± 20%.

LVP-1 ACC.
AUX 1 & AUX 2 REMOTE CONTROL
PRECEDENCE

BOTTOM VIEW

Bogen Model MXM-A

74-0926-01 R