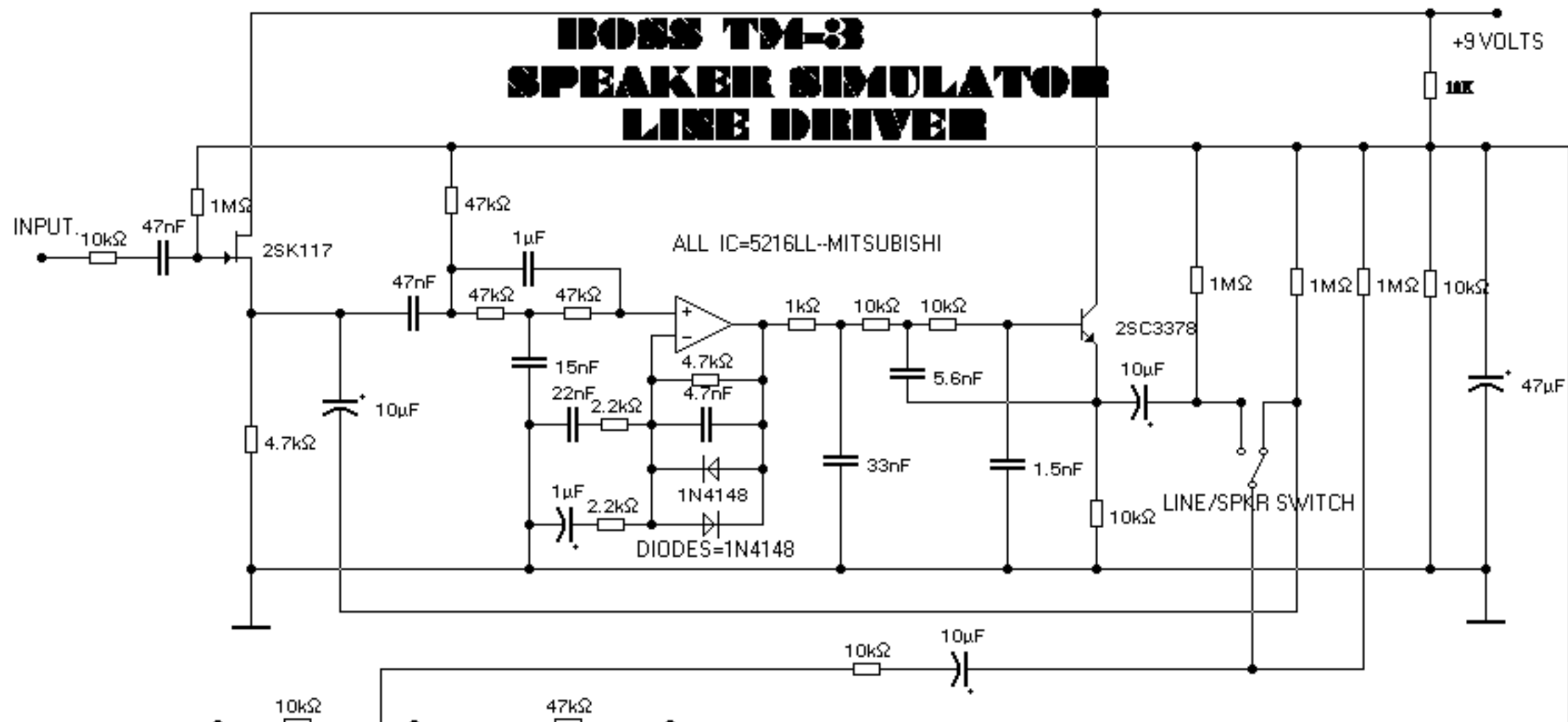


# BOSS TM-3 SPEAKER SIMULATOR LINE DRIVER



TO NEXT IC-- OUTPUT CIRCUIT

YOU NEED TWO COMPLETE  
CIRCUITS-AS SHOWN HERE-  
FOR STEREO

SINGLE SUPPLY=9 VOLTS

