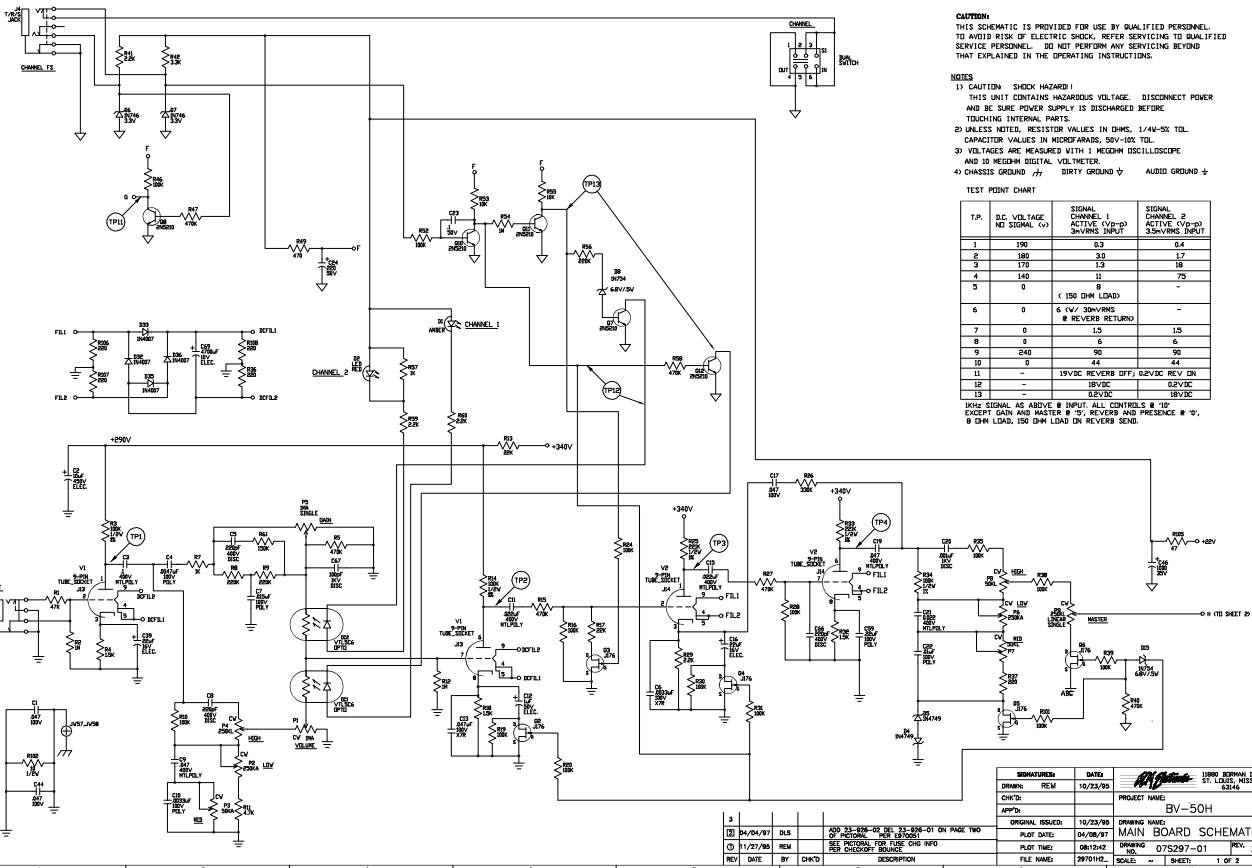


**CAUTION**  
THIS SCHEMATIC IS PROVIDED FOR USE BY QUALIFIED PERSONNEL.  
TO AVOID RISK OF ELECTRIC SHOCK, REFER SERVICING TO QUALIFIED  
SERVICE PERSONNEL. DO NOT PERFORM ANY SERVICING BEYOND  
THAT EXPLAINED IN THE OPERATING INSTRUCTIONS.

- NOISE**
- 1) CAUTION: SHOCK HAZARD!  
THIS UNIT CONTAINS HAZARDOUS VOLTAGE. DISCONNECT POWER  
AND BE SURE POWER SUPPLY IS DISCHARGED BEFORE  
TOUCHING INTERNAL PARTS.
  - 2) UNLESS NOTED, RESISTOR VALUES IN OHMS, 1/4W-5% TOL.  
CAPACITOR VALUES IN MICROFARADS, 50V-10% TOL.
  - 3) VOLTAGES ARE MEASURED WITH 1 MEGOHM OSCILLOSCOPE  
AND 10 MEGOHM DIGITAL VOLTMETER.
  - 4) CHASSIS GROUND  $\text{///}$  DIRTY GROUND  $\text{◇}$  AUDIO GROUND  $\text{+}$

SEE REVISIONS ON PAGE ONE

REV.	DATE	BY	CHKD.
0001	10/23/95		
0002	REM		
DRAWING NAME: PROJECT NAME: BV-50H			
DRAWING NO.: 075297-01			
REV. 2			
FILE NAME: 2970102			
SCALE: -- SHEET: 2 OF 2			



**CAUTION:**  
THIS SCHEMATIC IS PROVIDED FOR USE BY QUALIFIED PERSONNEL TO AVOID RISK OF ELECTRIC SHOCK. REFER SERVICING TO QUALIFIED SERVICE PERSONNEL. DO NOT PERFORM ANY SERVICING BEYOND THAT EXPLAINED IN THE OPERATING INSTRUCTIONS.

- NOTES:**
- 1) CAUTION: CHECK HAZARD! THIS UNIT CONTAINS HAZARDOUS VOLTAGE. DISCONNECT POWER AND BE SURE POWER SUPPLY IS DISCHARGED BEFORE TOUCHING INTERNAL PARTS.
  - 2) UNLESS NOTED, RESISTOR VALUES IN OHMS, 1/4W-50C TOL. CAPACITOR VALUES IN MICROFARADS, 50V-100C TOL.
  - 3) VOLTAGES ARE MEASURED WITH 1 MEGOHM OSCILLOSCOPE AND 10 MEGOHM DIGITAL VOLTMETER.
  - 4) CHASSIS GROUND  $\downarrow$  DIRTY GROUND  $\nabla$  AUDIO GROUND  $\nabla$

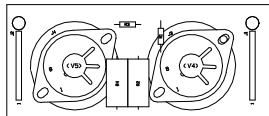
TEST POINT CHART

TEST POINT	SIGNAL	DC VOLTAGE NO SIGNAL (V)	SIGNAL CHANNEL 1 ACTIVE (V/p-p) 3÷V RMS INPUT	SIGNAL CHANNEL 2 ACTIVE (V/p-p) 3÷V RMS INPUT
1	190	0.3	0.4	0.4
2	160	3.2	1.7	1.7
3	170	1.3	1.8	1.8
4	140	1.1	7.5	7.5
5	0	0	-	-
6	0	6 (V/ 300V RMS @ REVERSE RETURN)	-	-
7	0	1.5	1.5	1.5
8	0	6	6	6
9	240	90	90	90
10	0	44	44	44
11	-	18VDC REVERSE OFF, 0.2VDC REV ON	0.2VDC	0.2VDC
12	-	18VDC	0.2VDC	0.2VDC
13	-	0.2VDC	18VDC	18VDC

100 $\Omega$  SIGNAL AS ABOVE.  $\nabla$  INPUT. ALL CONTROLS @ 10% EXCEPT GAIN AND MASTER @ 0V. REVERSE AND PRESENCE @ 0V. 0 OHM LOAD, 150 OHM LOAD ON REVERSE SEND.

SIGNATURE: REM	DATE: 10/23/90	11900 BORNMAN DR ST. LOUIS, MISSOURI 63144
CH'D:	PROJECT NAME:	BV-50H
APPROV:	ORIGINAL ISSUED:	10/23/90
DATE: 04/04/91	DATE: 04/06/91	DRIVING NAME:
BY: DLS	DATE: 08/12/92	DRIVING NO:
BY: REM	DATE: 08/12/92	DRIVING NO: 075297-01
BY: CH'D	DATE: 08/12/92	REV: 2
BY: CH'D	DATE: 08/12/92	SCALE: -- SHEET: 1 OF 2

3	DLS	200-23-006-02 REV. 31-006-01 ON PAGE TWO OF ORIGINAL
2	REM	SET PICTORIAL FOR USE CHG INFO FOR CHANGE ORDERS
1	CH'D	DESCRIPTION



DESIGNATOR PART NUMBER DESCRIPTION

J1	17-101-13	13 PIN	CONNECTOR
J2	17-101-13	13 PIN	CONNECTOR
J3	17-450-08	8 PIN	TUBE SOCKET
J4	17-450-08	8 PIN	TUBE SOCKET

R1	76-472-01	4.7K	
R2	78-471-05	470	5W
R3	76-472-01	4.7K	
R4	78-471-05	470	5W

V4	97-916-02	TESTED 6L6GT	TUBES
V5	97-916-02	TESTED 6L6GT	TUBES

MISC.

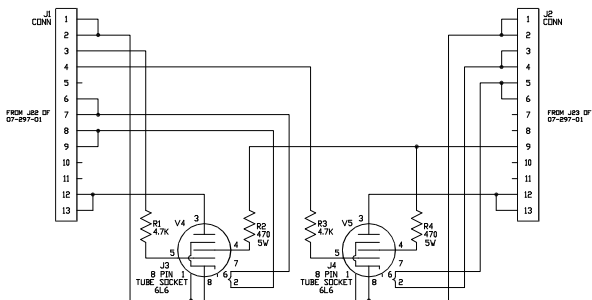
(1)	D6A296-11	PC BOARD
(8)	30-638-53	SCREW
(4)	85-133-01	HEX STAND-OFF

CAUTION:

THIS SCHEMATIC IS PROVIDED FOR USE BY QUALIFIED PERSONNEL. TO AVOID RISK OF ELECTRIC SHOCK, REFER SERVICING TO QUALIFIED SERVICE PERSONNEL. DO NOT PERFORM ANY SERVICING BEYOND THAT EXPLAINED IN THE OPERATING INSTRUCTIONS.

NOTES

- CAUTION: SHOCK HAZARD!  
THIS UNIT CONTAINS HAZARDOUS VOLTAGE. DISCONNECT POWER AND BE SURE POWER SUPPLY IS DISCHARGED BEFORE TOUCHING INTERNAL PARTS.
- UNLESS NOTED, RESISTOR VALUES IN OHMS, 1/4W-5% TOL. CAPACITOR VALUES IN MICROFARADS, 50V-10% TOL.
- VOLTAGES ARE MEASURED WITH 1 MEGOHM OSCILLOSCOPE AND 10 MEGOHM DIGITAL VOLTMETER.
- CHASSIS GROUND  $\nabla$  CIRCUIT GROUND  $\nabla$



<b>SIGNATURES:</b>		<b>DATE:</b>	11880 BIRMAN DR. ST. LOUIS, MISSOURI 63146	
DRAWN:	REM	11/607/90	PROJECT NAME:	
CHK'D:			BV-50H	
APP'D:			DRAWING NAME:	
ORIGINAL ISSUED:	11/07/98		PICT & SCHEMATIC	
PLOT DATE:	11/06/95		DRAWING NO.	07P296-21
PLOT TIME:	02:00:14		REV.	0_
FILE NAME:	29621PO_		SCALE:	1:1
			SHEET:	1 OF 1