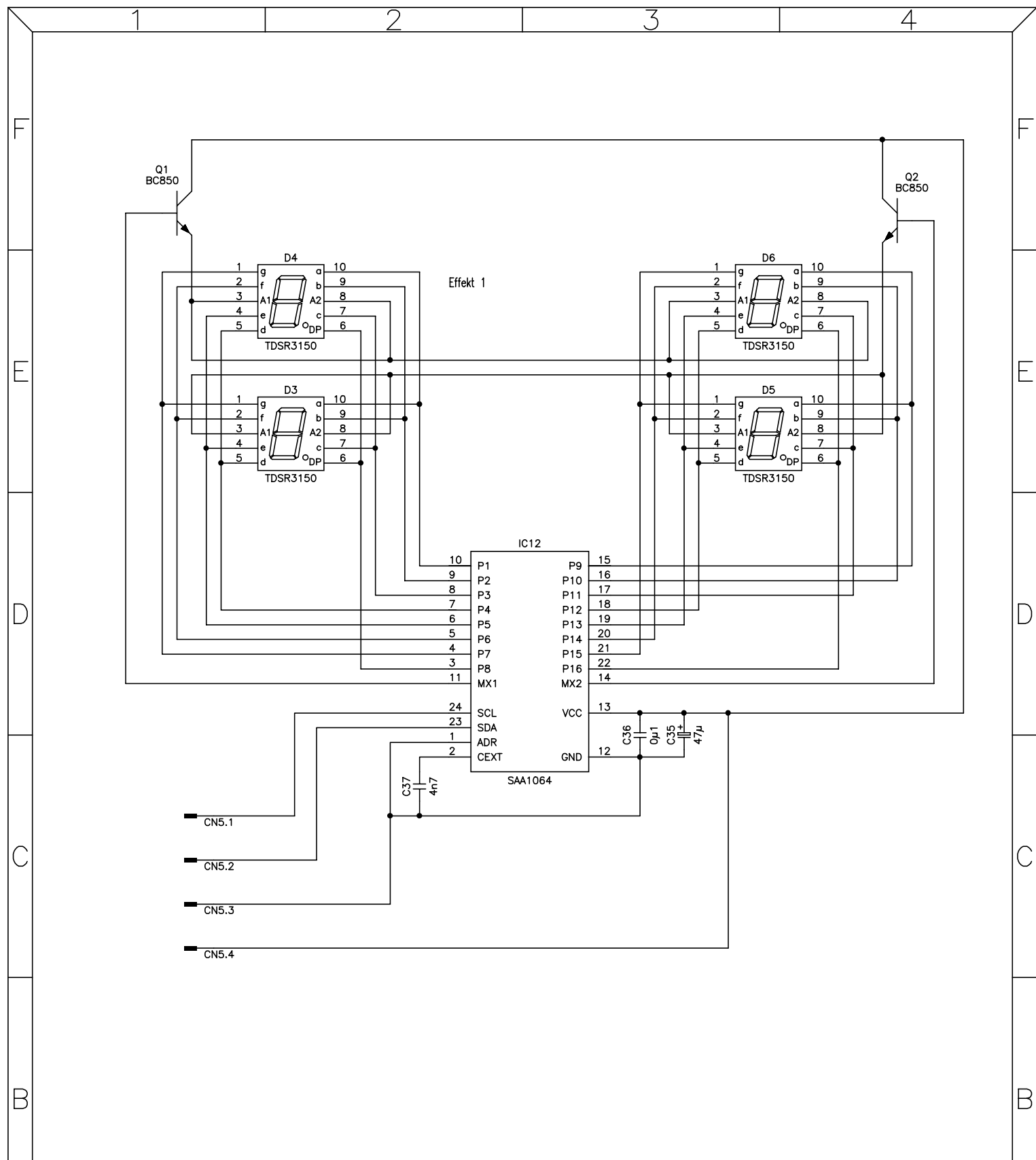


* not assembled

- CN3.3 DOWN Eff1
- CN3.5 DOWN Eff2
- CN3.4 UP Eff1
- CN3.6 UP Eff2

ALTERATIONS RESERVED !

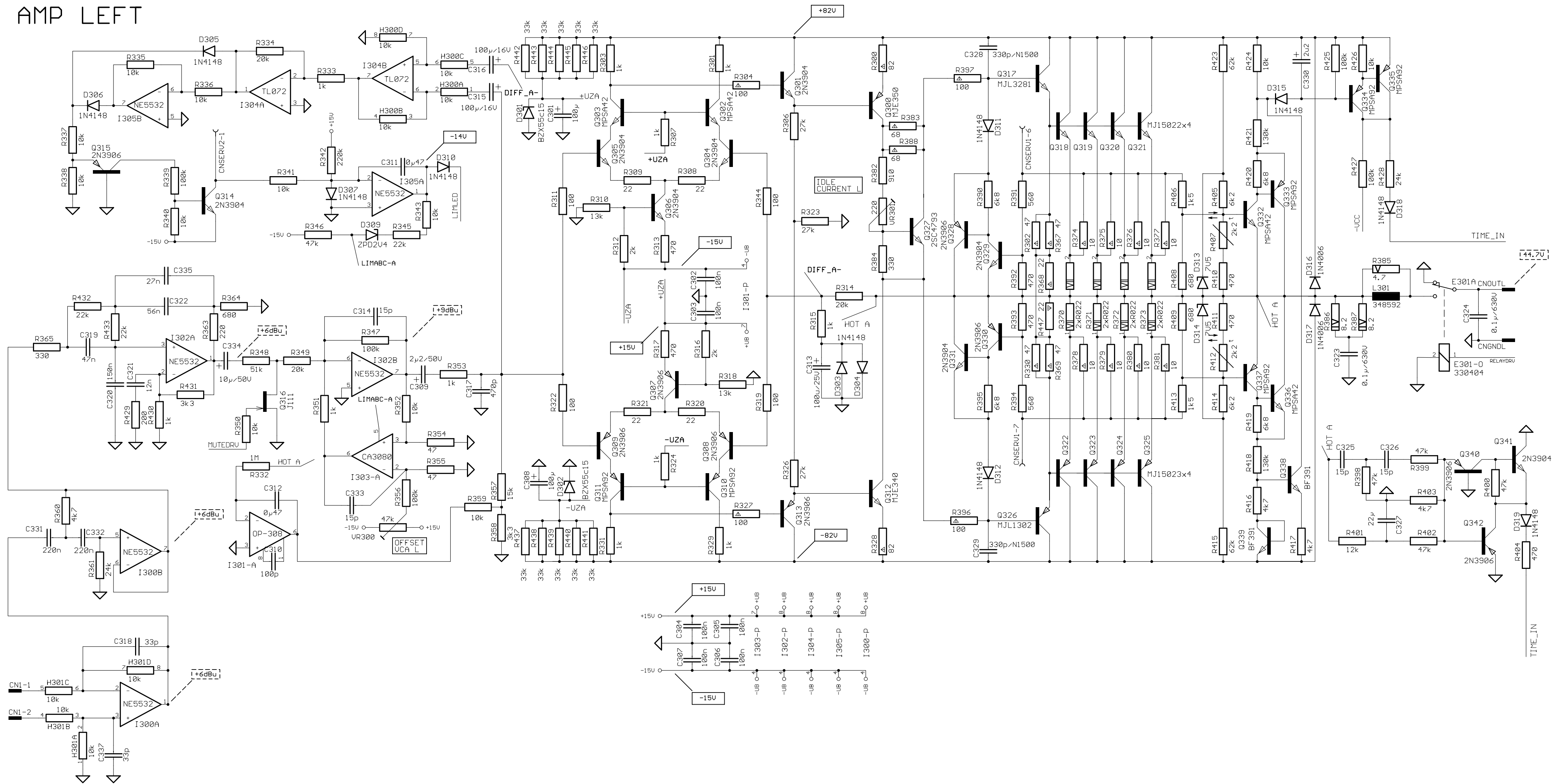
				Project name: 80438c		<h1>EFFECT-BOARD</h1> <h2>AD-DA & DSP</h2>		<h1>354013</h1>		SHEET 1/2	
				1996	DATE					NAME	<h2>Powermate 1000/1600</h2>
				DSG'D	09.12.	Wendler	<h2>Powermate 1000/1600</h2>		<h2>3-</h2>		
				CHK'D							<h2>Powermate 1000/1600</h2>
				B	56/97	23/9	WWE	<h2>Powermate 1000/1600</h2>		<h2>3-</h2>	
				A		30/7	WWE				
				ISSUE	REVISION	DATE	NAME	<h2>Powermate 1000/1600</h2>		<h2>3-</h2>	



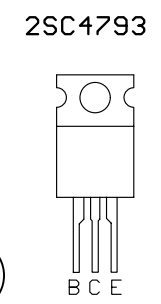
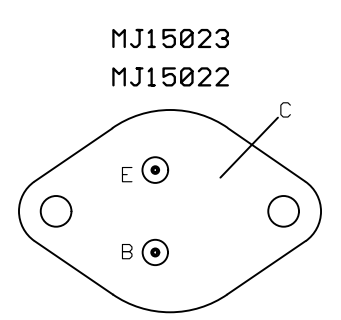
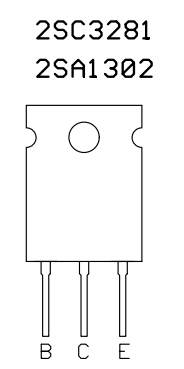
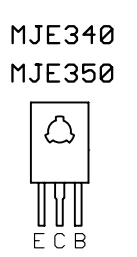
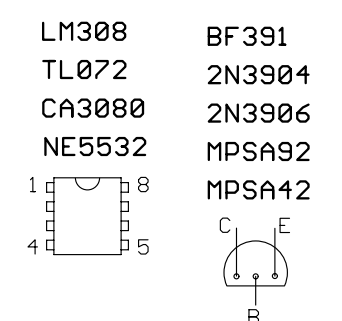
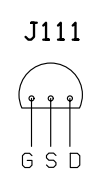
ALTERATIONS RESERVED !

				Project name: 80438c		EFFECT-BOARD Display			
		1997	DATE	NAME		354015		SHEET	
		DSG'D	02.04.	Wendler				2 / 2	
		CHK'D							
		APP'D							
				Powermate 1000/1600				4-	
ISSUE	REVISION	DATE	NAME	EVI AUDIO DYNACORD					

AMP LEFT



- POWER RESISTOR 5 WATT
- POWER RESISTOR 4 WATT
- DC VOLTAGE MEASURED WITH VOLTMETER 100kOHM/V
- AC VOLTAGE 1000 HZ, MEASURED WITH UTVM
- SAFETY COMPONENT, FLAMEPROOF RESISTOR (MUST BE REPLACED BY ORIGINAL PART)



ALTERATIONS RESERVED!

ISSUE	REVISION	DATE	NAME
K	157/99	13.12	Lang
I	145/99	24.11	Lang
H	85/99	13.07	Lang
G	18/99	02.99	csc
F	6/99	22.01	Stangl
E	72/97	11.97	Lang
D	62/97	10.97	Taffner
C	57/97	09.97	Lang
B	47/97	09.97	Lang
A	NULLSERIE	09.97	Lang

84169H
Power Amplifier Left

CIRCUIT DIAGRAM

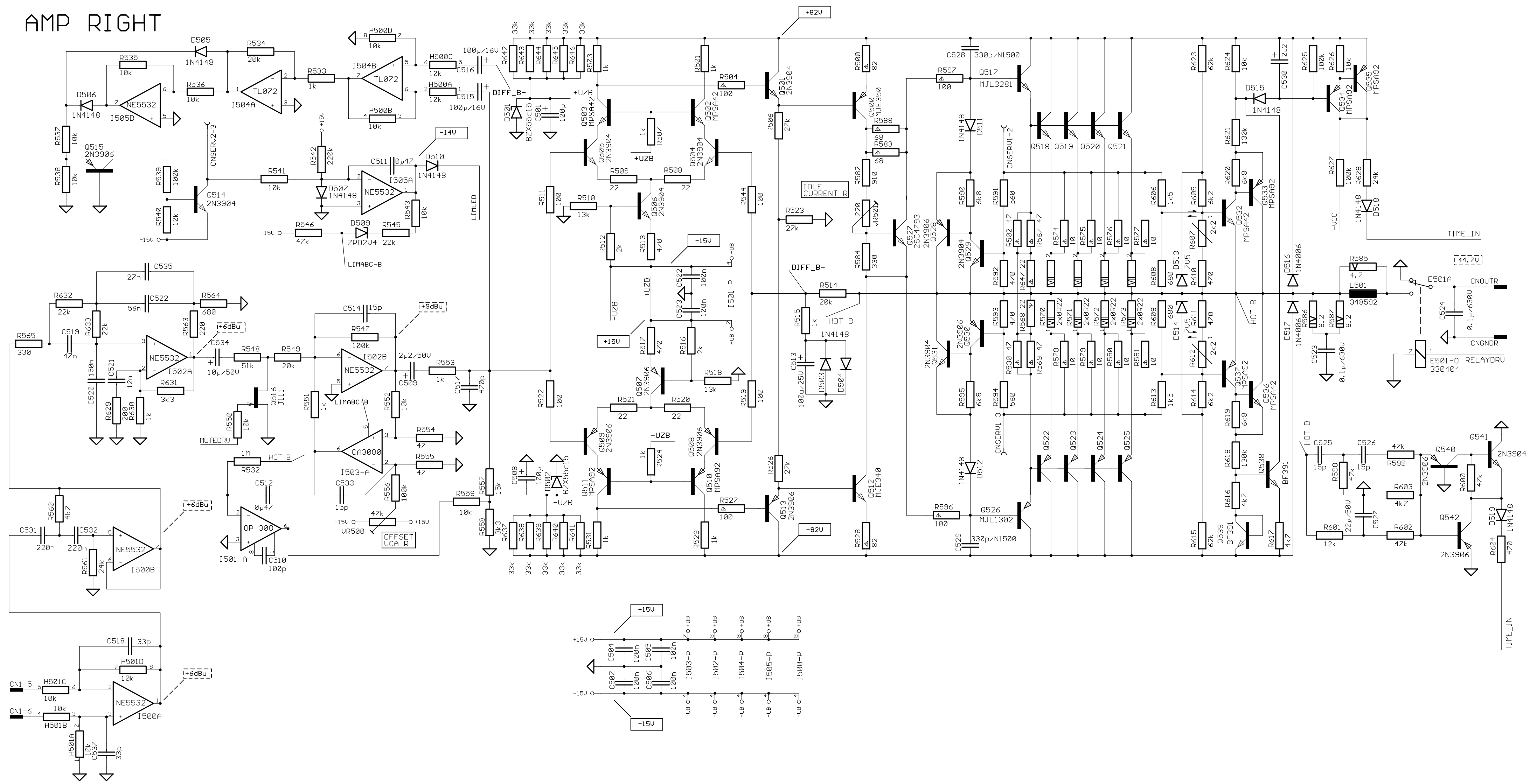
354 011

PM1000/1600/PSX1000/1600

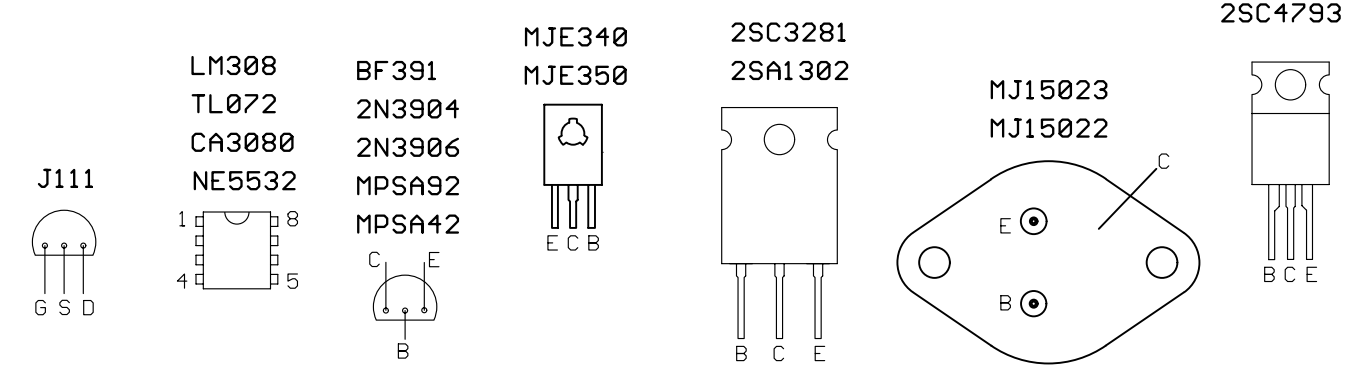
Last modified: 13.12.1999 10:48:34		1/3
Last plotted: 03.07.2000 10:21:57		
DATE	NAME	2-
06.97	Taffner	

EVI AUDIO

AMP RIGHT



- POWER RESISTOR 5 WATT
- POWER RESISTOR 4 WATT
- DC VOLTAGE MEASURED WITH VOLTMETER 100kOHM-V
- AC VOLTAGE 1000 HZ, MEASURED WITH UTM
- SAFETY COMPONENT, FLAMEPROOF RESISTOR (MUST BE REPLACED BY ORIGINAL PART)



ALTERATIONS RESERVED!

K	157/99	13.12	Lang	13.12.1999 10:48:34
I	145/99	24.11	Lang	03.07.2000 10:22:10
H	85/99	13.07	Lang	
G	18/99	02.98	csc	DATE NAME
F	6/99	22.01	Stangl	DSG'D 07.97 Taffner
E	72/97	11.97	Lang	CHK'D
D	62/97	10.97	Taffner	APP'D
C	57/97	09.97	Lang	
B	47/97	09.97	Lang	
A	NULLSERIE	09.97	Lang	
ISSUE	REVISION	DATE	NAME	

84169H
Power Amplifier Right

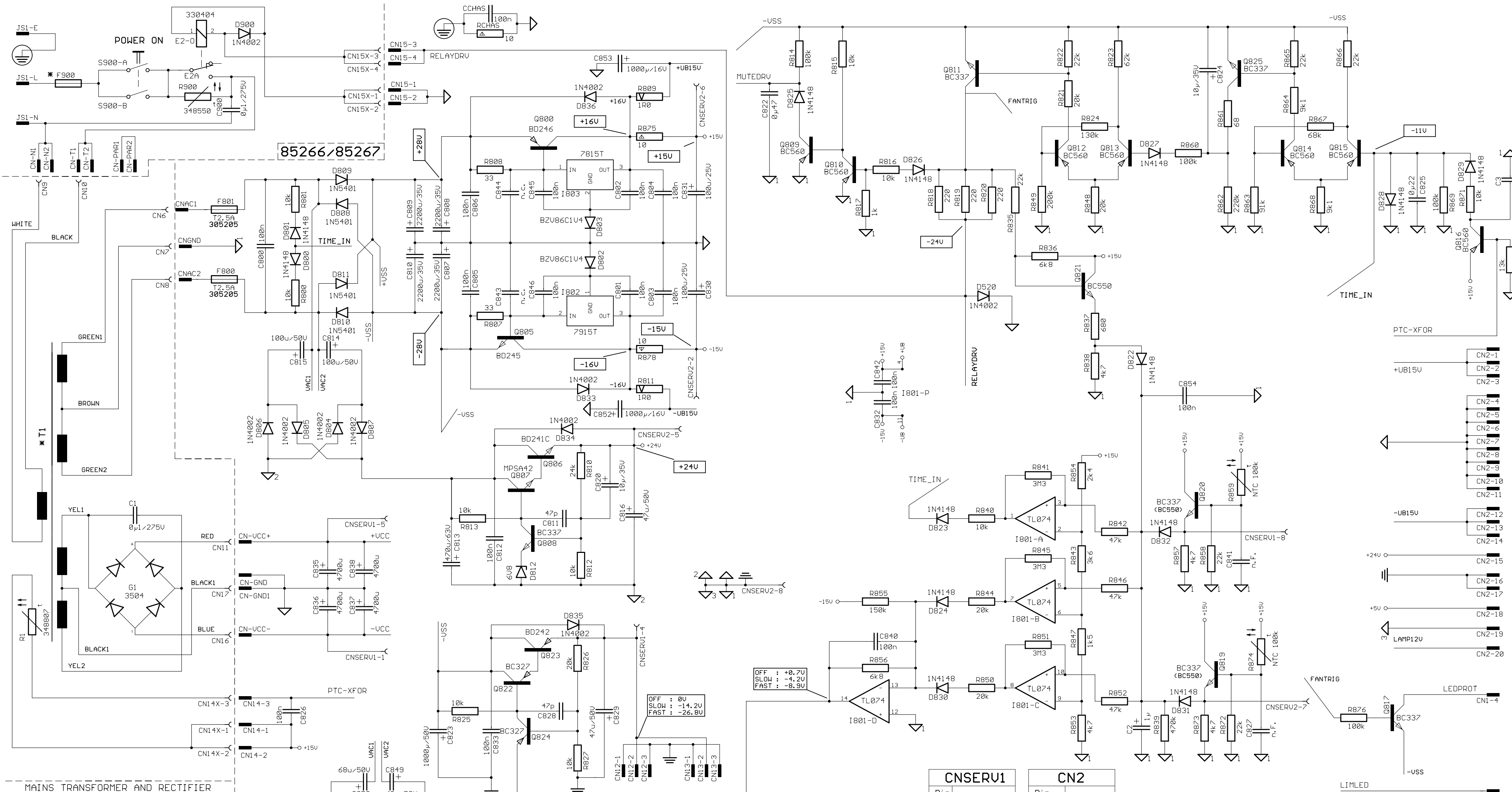
CIRCUIT DIAGRAM 2/3

354 011

PM1000/1600/PSX1000/1600

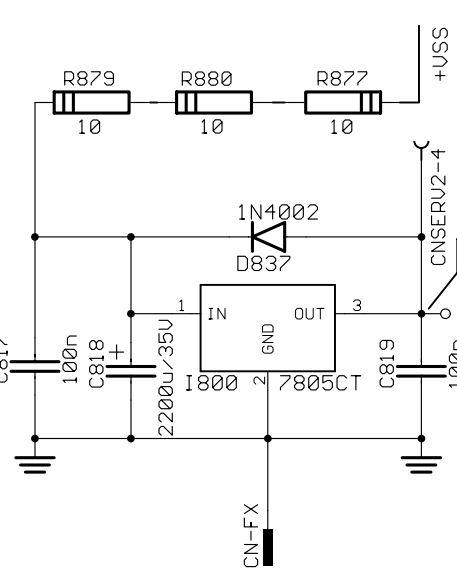
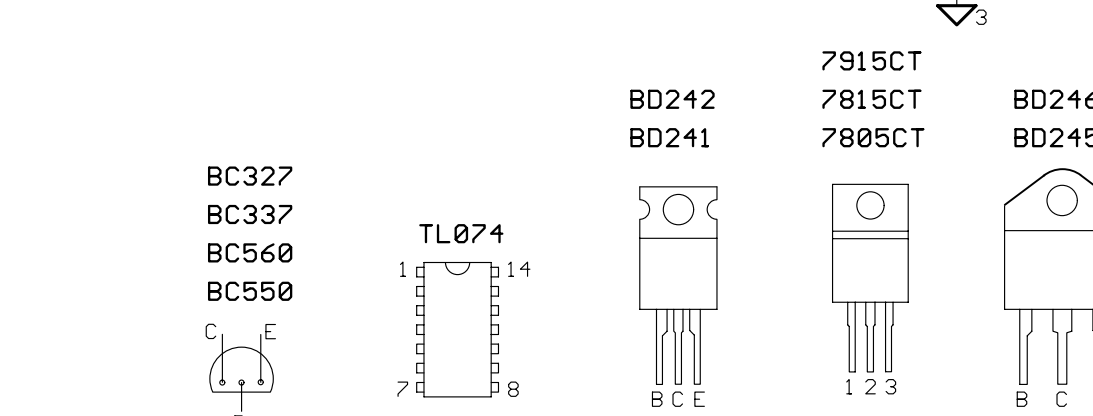
EVI AUDIO

2-



MAINS TRANSFORMER AND RECTIFIER

	100V	120V	230V	240V
T1	354 587	354 412	354 260	354 597
F900	15A 351 850	15A 351 850	8A 351 947	8A 351 947



CNSERU1		CN2		CN1		CN10		CN14		CN12/13	
Pin		Pin		Pin		Pin		Pin		Pin	
1	-UCC	1-3	+UB15V	1	Signal L	1	AC 15V	1	PTC1/Trafo	1	GND-D FAN
2	Bias+ R	4-11	GND-A	2	GND-Sense L	2	GND A1	2	n.c.	2	FAN +
3	Bias- R	12-14	-UB15V	3	LED-LIMIT	3	AC 15V	3	PTC2/Trafo	3	GND-D FAN
4	FAN	15	+24V	4	LED-PROTECT						
5	+UCC	16-17	GND-D	5	Signal R						
6	Bias+ L	18	+5V	6	GND-Sense R						
7	Bias- L	19	GND-LAMP								
8	Temp+	20	LAMP12V								

CNSERU2		ALTERATIONS RESERVED!		EVI AUDIO	
Pin		K	Lang	DATE	NAME
1	LIM L	157/99	13.12	13.12.1999	Taffner
2	-15V	145/99	24.11	03.07.2000	Taffner
3	LIM R	95/99	27.07	06.97	Taffner
4	+5V	85/99	13.07	06.97	Taffner
5	+24V	18/99	02.99	06.97	Taffner
6	+15V	6/99	22.01	06.97	Taffner
7	TEMP-	72/97	11.97		Taffner
8	GND	62/97	10.97		Taffner
		57/97	09.97		Taffner
		47/97	09.97		Taffner
		A	NULLSERIE	09.97	Lang
		ISSUE	REVISION	DATE	NAME

84169H / 85266 / 85267

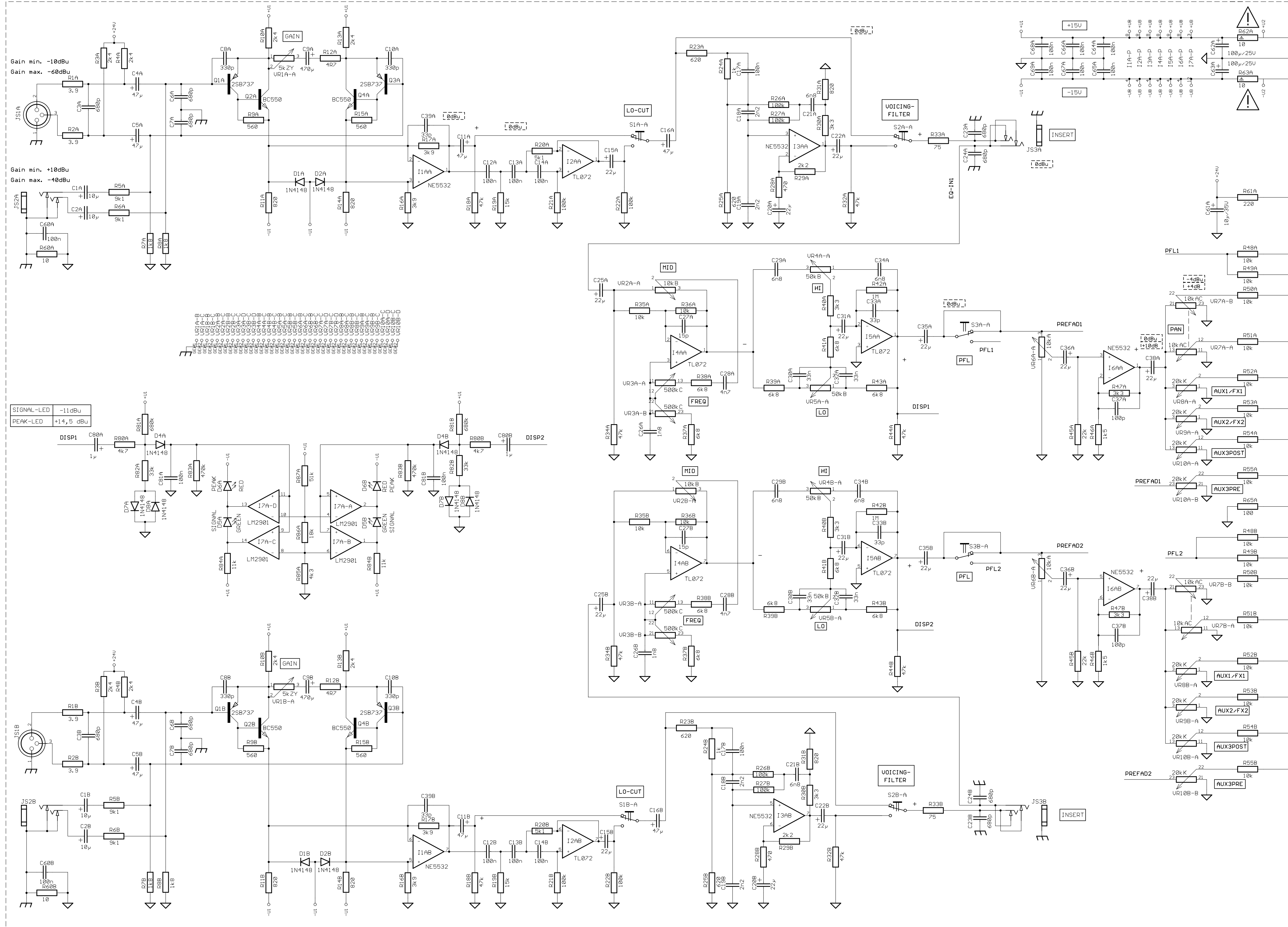
CIRCUIT DIAGRAM 3/3

354 011

PM1000/1600/PSX1000/1600 2-

CHANNEL A/B

CHANNEL E/F CHANNEL C/D



SAME AS CHANNEL A/B

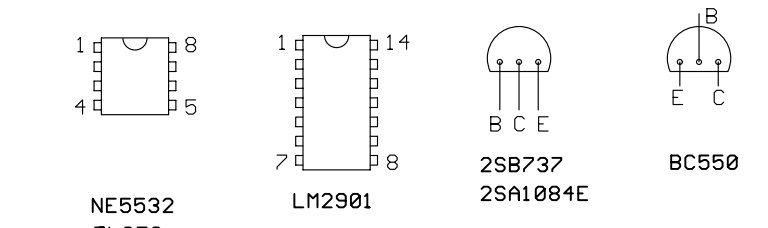
SAME AS CHANNEL A/B

NOTES:

- *1: PART CAN BE REPLACED WITH 25A1084 E
- AC VOLTAGE 1800 HZ, MEASURED WITH UTUM
- DC VOLTAGE MEASURED WITH VOLTMETER 100k OHM/V
- FADER IN RATED POSITION (0dB)
- ADDITIONAL GAIN WITH FADER IN MAX. POSITION
- SAFETY COMPONENT (MUST BE REPLACED BY ORIGINAL PART)

RATED CONDITIONS:

- GAIN POTS MIN. OR MAX.
- ALL POTS IN CENTER-POSITION
- ALL FADERS AT 0dB
- MASTER-FADER-L/R AT +6dB



- BUS-REF
- PFL-L
- PFL-R
- MASL
- MASR
- FX1/AUX1
- FX2/AUX2
- AUX3POST
- AUX3PRE
- +17V
- 17V
- GND4
- NS181

ALTERATIONS RESERVED!

Last modified:	24.11.1999 10:32:24
Last plotted:	03.07.2000 10:17:58
DATE	NAME
DISG'D	86.1997 Lang F.
CHK'D	
APP'D	

PMMIC-UF-a 81334

CIRCUIT DIAGRAM

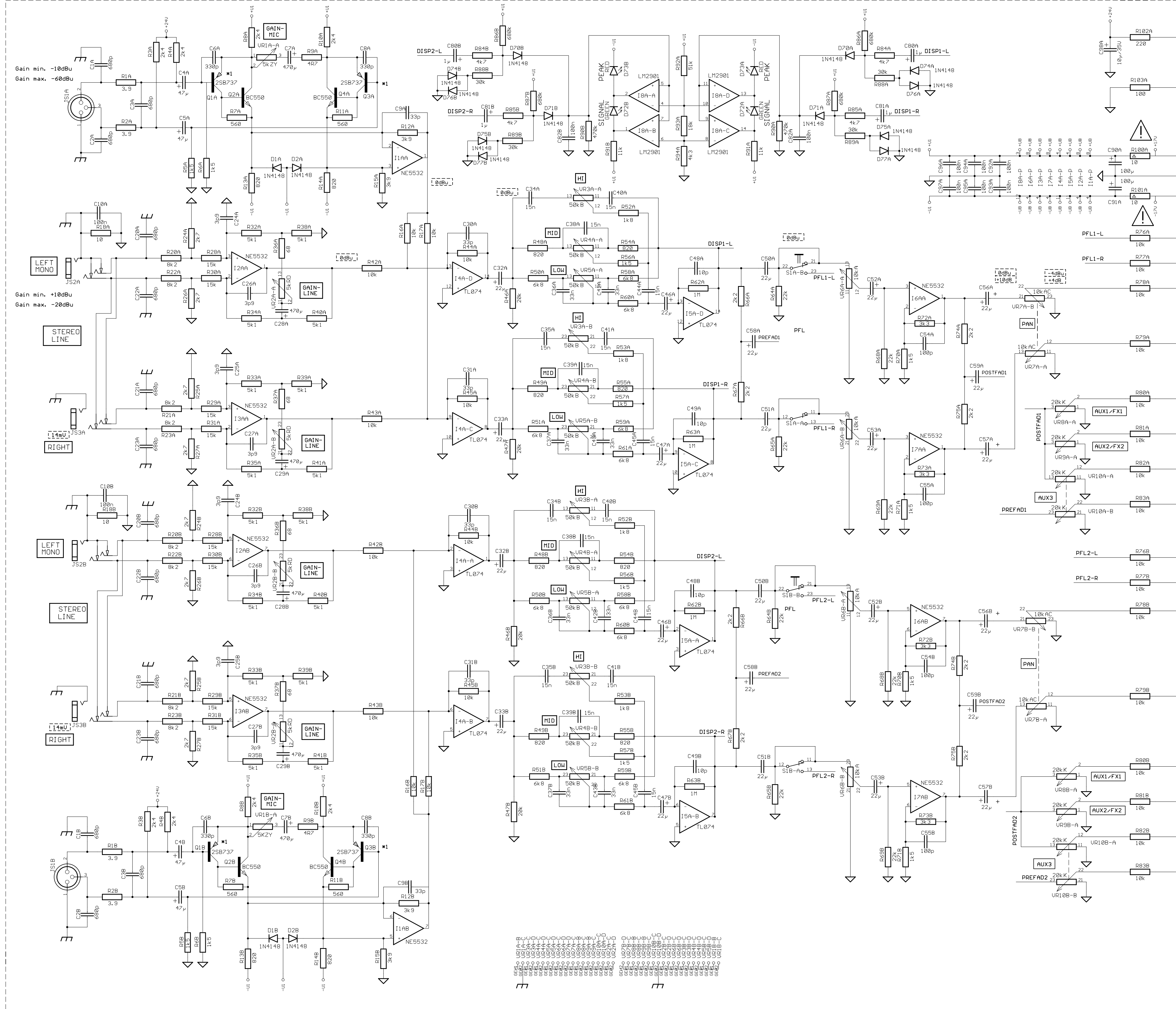
354 009

EVI AUDIO

PHI 000/1600/2200/PSX1000/1600/2000/2200

CHANNEL A/B

CHANNEL C/D



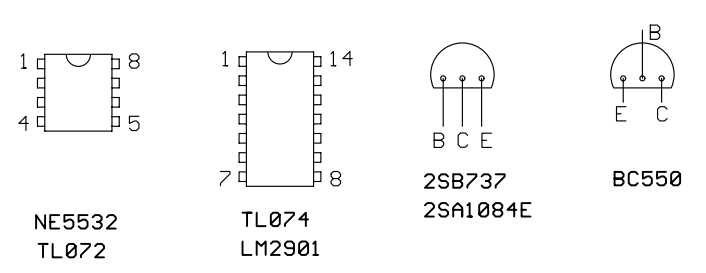
SAME AS CHANNEL A/B

NOTES:

- *1 : PART CAN BE REPLACED WITH 2SA1084 E
- AC VOLTAGE 1000 HZ, MEASURED WITH UTMV
- DC VOLTAGE MEASURED WITH VOLTMETER 100kOHM-V
- FADER IN RATED POSITION ($0dB$)
ADDITIONAL GAIN WITH FADER IN MAX. POSITION
- SAFETY COMPONENT
(MUST BE REPLACED BY ORIGINAL PART)

RATED CONDITIONS:

- GAIN DOTS MIN. OR MAX.
- ALL DOTS IN CENTER-POSITION
- ALL FADERS AT 0dB
- MASTER-FADER-L/R AT +6dB



BUS-REF

- +17V
- GND
- 17V
- PFL-L
- PFL-R
- MASL
- MASR
- FX1/AUX1
- FX2/AUX2
- AUX3POST
- AUX3PRE

ALTERATIONS RESERVED!			
		Last modified	24.11.1999 10:27:58
		Last plotted	03.07.2000 10:18:33
		DATE	NAME
		CHK'D	Lang F.
		APP'D	
E	145/99	11/99	Lang
A	67/98	07/98	Lang
EVI AUDIO			
ISSUE REVISION DATE NAME			

PM-STEUF-e 81336

CIRCUIT DIAGRAM

354 348