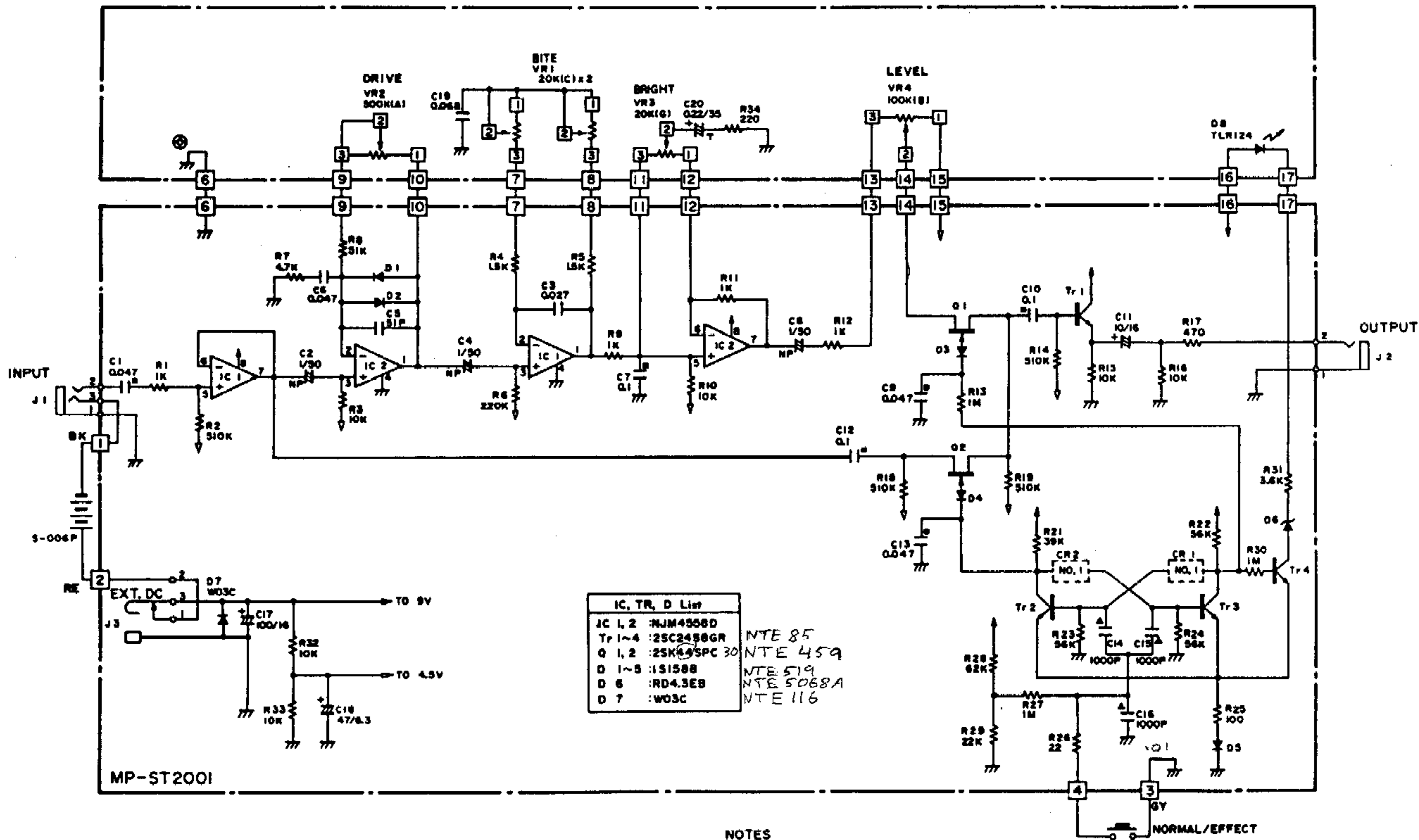


STL



IC, TR, D List	
IC 1, 2	NJM4558D
Tr 1-4	2SK2458GR
Q 1, 2	2SK44C
D 1-3	1S1588
D 6	RD4.3EB
D 7	W03C

NTE 85  
NTE 459  
NTE 519  
NTE 5068A  
NTE 116

NOTES

▲ : CERAMIC capacitor. All ceramic capacitors are above 25V rating.  
■ : FILM capacitor. All film capacitors are above 50V rating.  
NP : NON POLAR capacitor.  
T : TANTALUM capacitor.  
And all capacitors are ELECTROLYTIC capacitors, unless otherwise marked. Unless otherwise indicated.  
Resistance in  $\Omega$ , K=K $\Omega$ , M=M $\Omega$   
Resistors, 1/4 W  $\pm$ 5% rating.  
Capacitance in P=PF,  $\mu$ = $\mu$ F

CAUTION

This schematic diagram is a normal standard one. The parts rating and/or schematic diagram will be changed without notice.

Top View

4558D



Bottom View

2SK2458GR/BL



2SK30A-0

2SK44C

