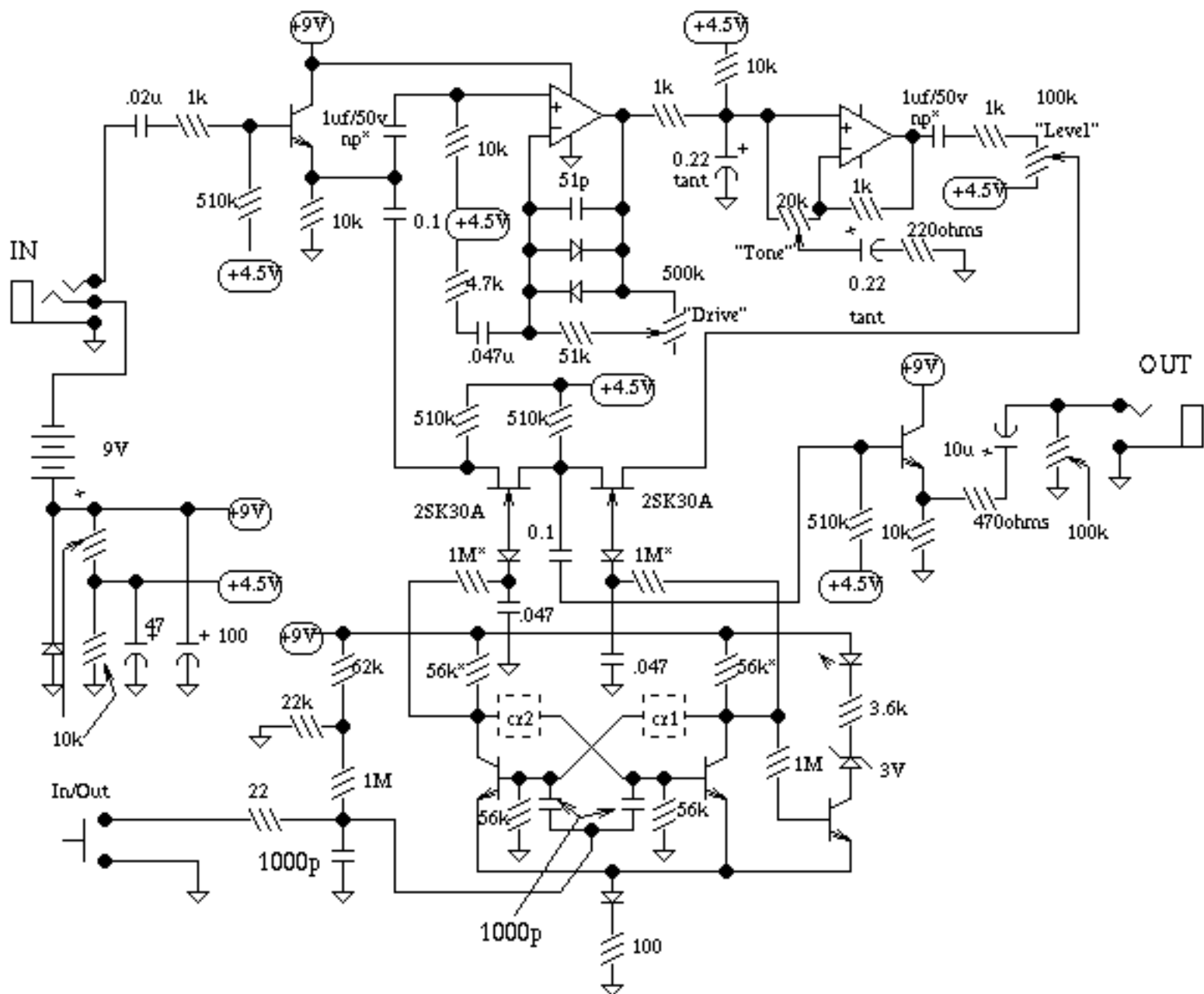


TS-9 Tube Screamer



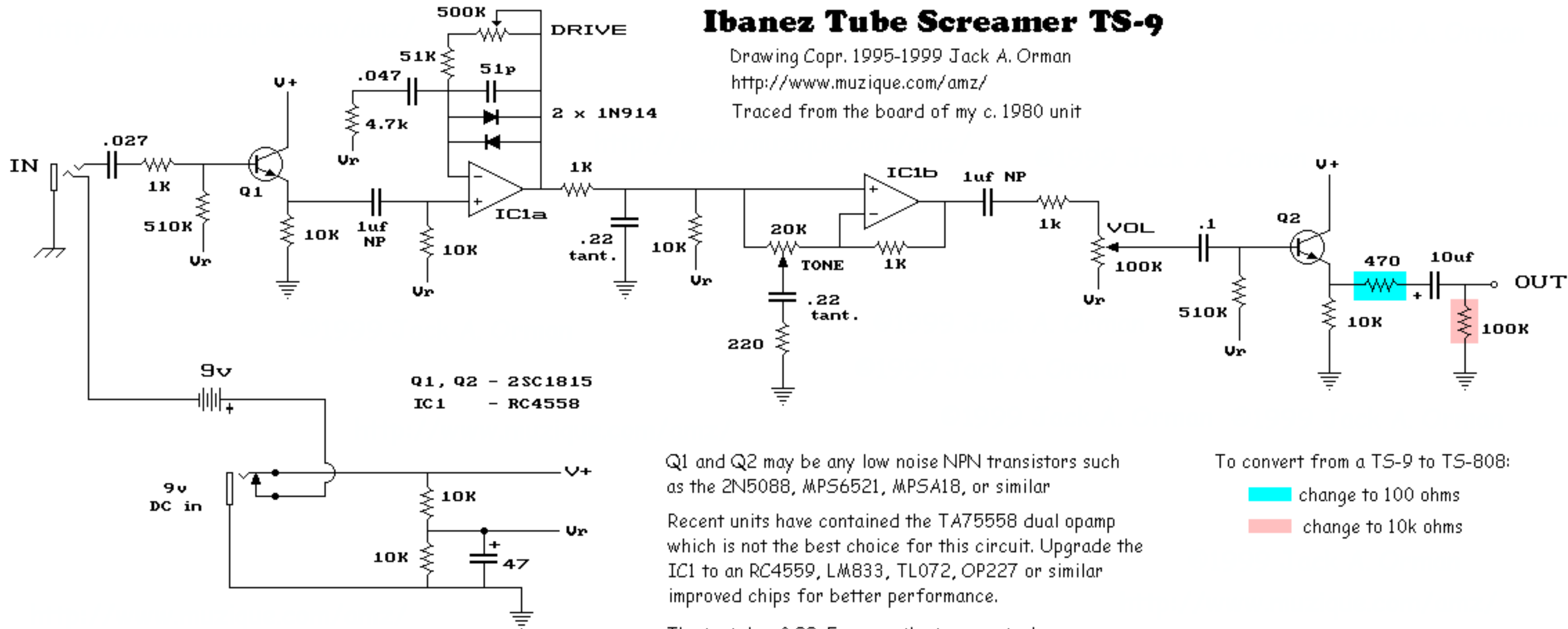
Opamps are in a dual 8 pin dip, 4558. All transistors 2SC1815. All diodes silicon signal diodes, 1n914 or similar.
 np* = nonpolarized resistors denoted by * marked as 1M on original might be 22k and those marked as 56K might be 10k. crf1 and crf2 are a special cap and resistor in parallel, the cap is 51p the resistor is 56k.

Ibanez Tube Screamer TS-9

Drawing Copr. 1995-1999 Jack A. Orman

<http://www.muzique.com/amz/>

Traced from the board of my c. 1980 unit



Q1, Q2 - 2SC1815
IC1 - RC4558

Q1 and Q2 may be any low noise NPN transistors such as the 2N5088, MPS6521, MPSA18, or similar

Recent units have contained the TA75558 dual opamp which is not the best choice for this circuit. Upgrade the IC1 to an RC4559, LM833, TL072, OP227 or similar improved chips for better performance.

The tantalum 0.22uF cap on the tone control can be changed to a poly film type for better response. Also, it may be lowered to 0.1uF to open the range.

To convert from a TS-9 to TS-808:

- change to 100 ohms
- change to 10k ohms