

FACTOTUM MEAZZI
"ALL TRANSISTOR"

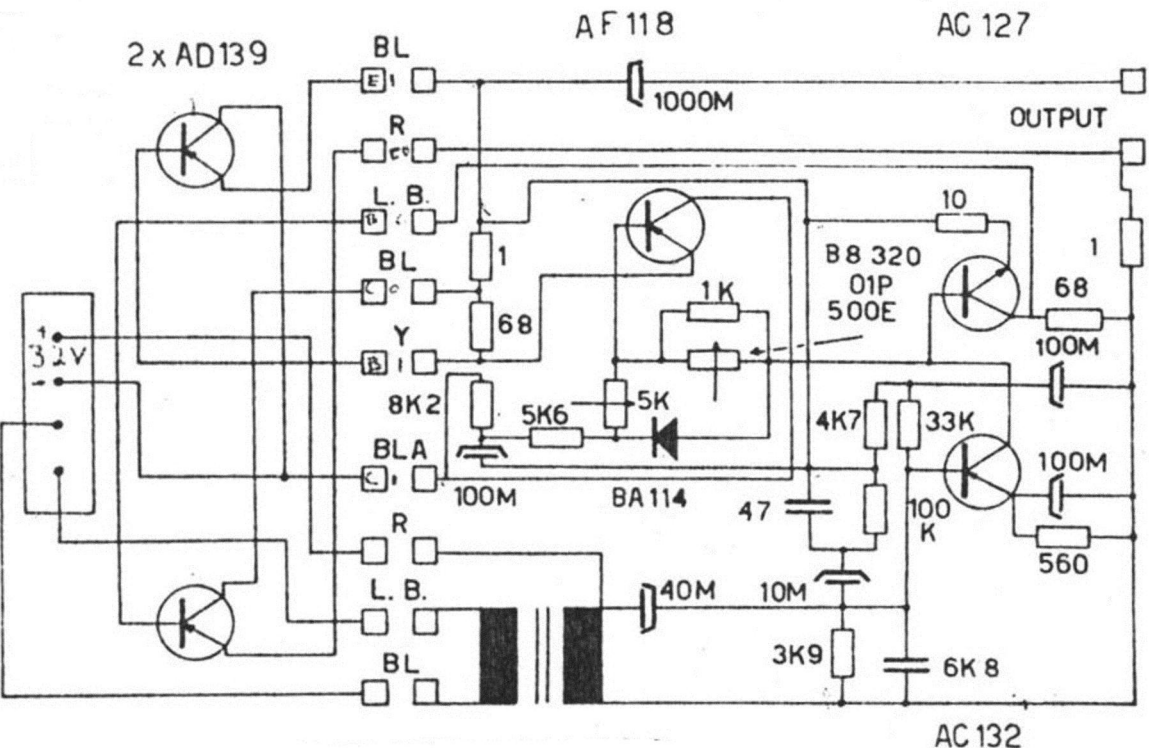
Factotum AT

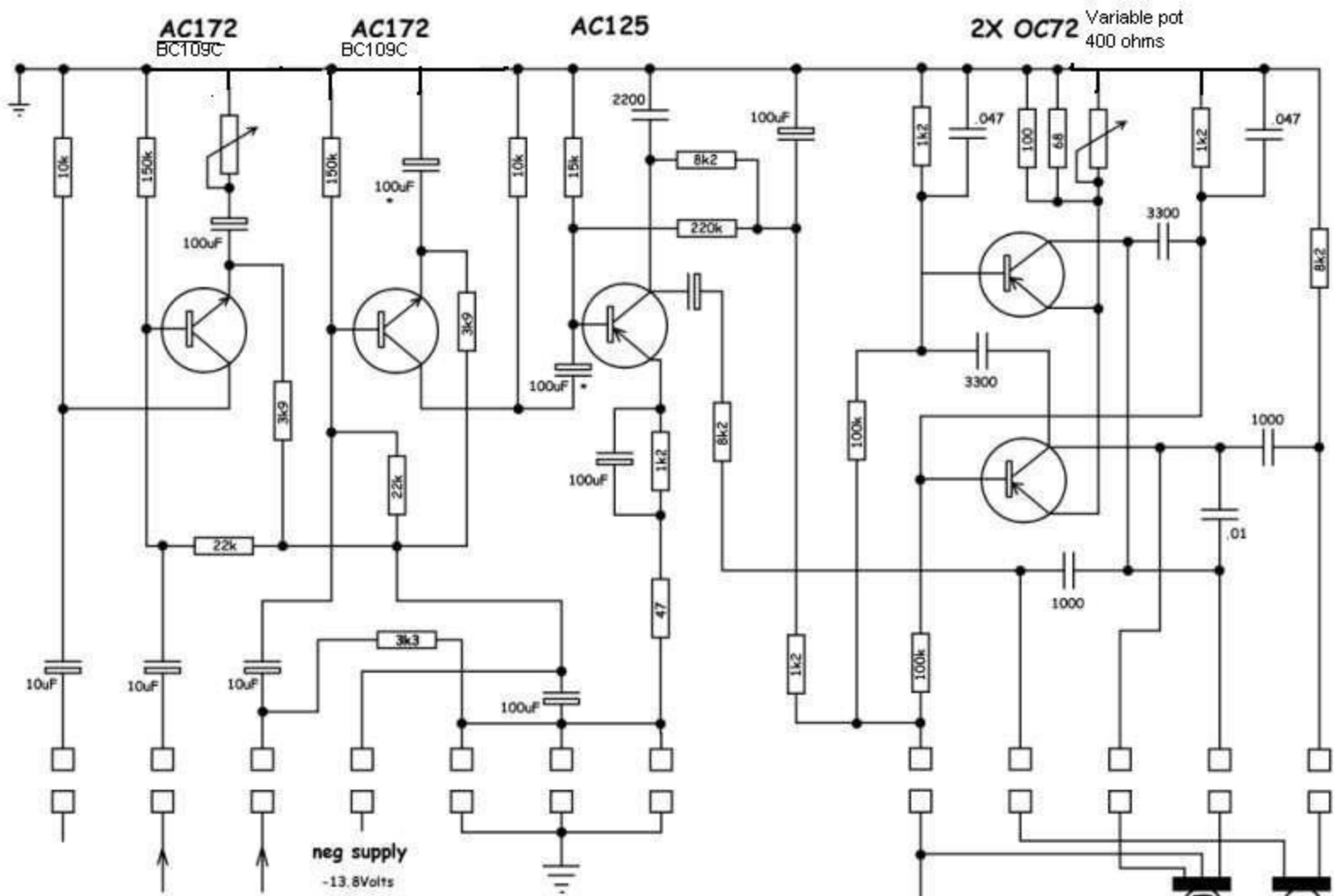
AC 125 M 3-4
AC 125 H 1-2
AG 172 H 5-6
AC 172 H 7-8

AC 125 1-4
AC 125 5-8

OAZ 212
AC 128
50M
AC 128
AD 149

FACTOTUM POWER AMPLIFIER





This schematic done by Roger Allcock during repair of customer model 880 Transistor Echomatic. This is the underside Bias and Recording amp board. I have added pertinent information to help someone understand the 880 better. In cases where motor replacement may be necessary the RPMs are 1610 RPM @60CPS at 115VAC for U.S. and 1320 RPM @50CPS for our European users. Bill Davis, Texas U.S.A.

Replay Heads are
 780 Mhy
 550 Ohms
 All (7) Seven

1.10 Mhy
 4.5 Ohm
 Doubles as
 Oscillator
 Tank

104 Mhy
 136 ohm