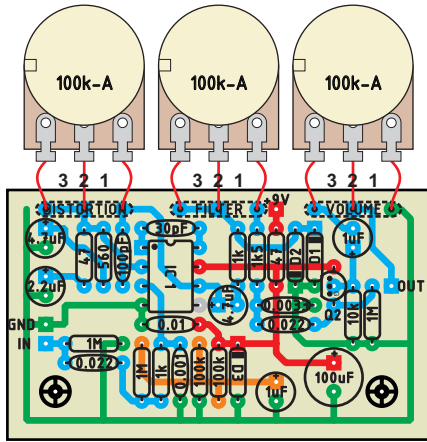
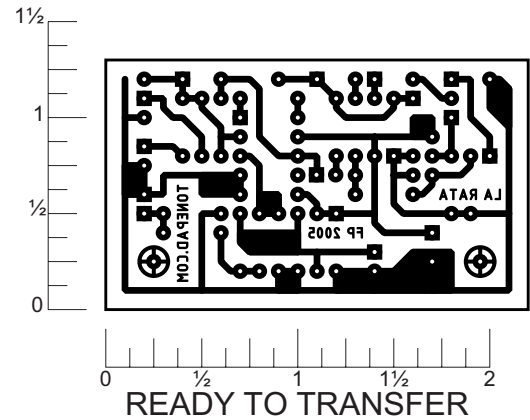


Build the RAT distortion on this layout. This is the original RAT circuit. Off board components except for the potentiometers are not shown on the layout. Trademarks remain property of their owners.



LAYOUT



### Common parts

#### Resistors

- 2 - 47
- 1 - 560
- 2 - 1k
- 1 - 1k5 (1.5k)
- 1 - 10k
- 2 - 100k
- 3 - 1M

#### Capacitors

- 1 - 30 pF
- 1 - 100 pF
- 1 - 0.001  $\mu$ F
- 1 - 0.0033  $\mu$ F
- 1 - 0.01  $\mu$ F
- 2 - 0.022  $\mu$ F
- 2 - 1  $\mu$ F
- 1 - 2.2  $\mu$ F
- 2 - 4.7  $\mu$ F
- 1 - 100  $\mu$ F

#### Transistors & ICs

- 1 - 2N5458
- IC1 - LM308

#### Diodes

- 2 - 1N914
- 1 - 1N4002

#### Pots

- 3 - 100k Log.

### Schematic

