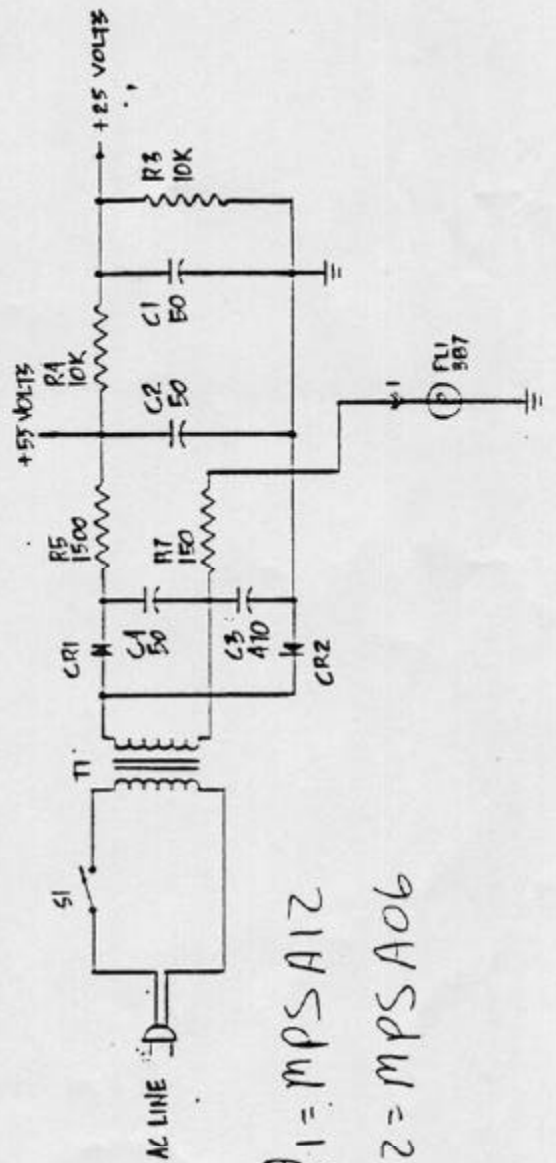


NOTES:

- 1 ALL CAPACITANCES IN MICROFARADS
- 2 ALL RESISTANCES IN OHMS
- 3 LAST DESIGNATION USED! C11, R16



Q1 = MPSA12  
Q2 = MPSA06