

FENDER MODEL

\* BANTAM BASS - AMP CFA7003

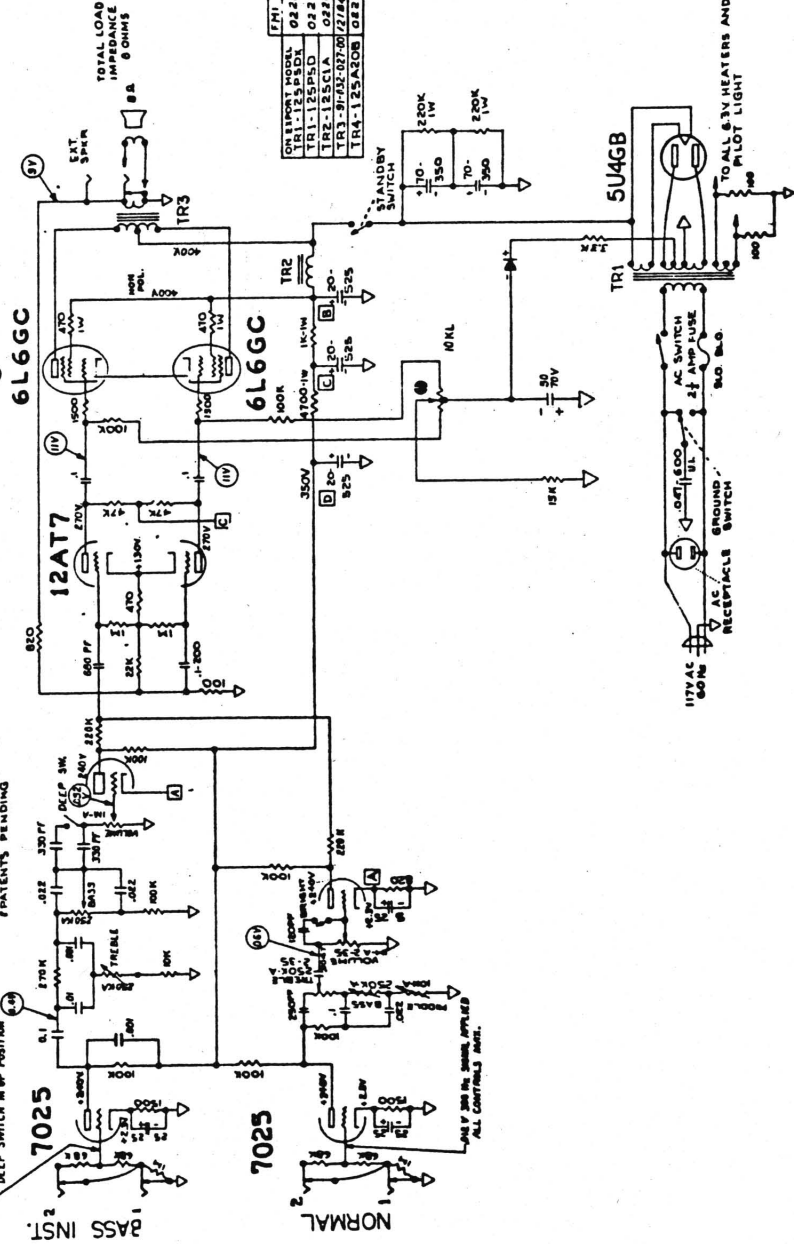
SCHEMATIC

NOTICE

1. VOLTAGES READ TO GROUND WITH ELECTRONIC VOLTMETER VALUES SHOWN FOR 20K
2. ALL CAPACITORS AT LEAST AND RATING IF NOT SPECIFIED.
3. ALL CAPACITORS AT LEAST AND RATING IF NOT SPECIFIED.
4. ALL VOLTAGES READ WITH STRAIGHT PEDAL GROUNDED AND NO INPUT SIGNAL.
5. (A) REFERS TO AC WELTNESS

USE 200 OHM SIGNAL APPLIED TO BASS INST. DEEP SWITCH IN UP POSITION

THIS PRODUCT MANUFACTURED UNDER ONE OR MORE OF THE FOLLOWING U.S. PATENTS: CIRCUIT PATENT # 2817103, # 2931361 PATENT # PENDING 1928359



ONE REPORT MODEL

TR1	TR2	TR3	TR4
6L6GC	6L6GC	5U4GB	5U4GB
12AT7	7025	7025	7025

RESISTOR VALUES

RESISTOR	VALUES
R1	100K
R2	100K
R3	100K
R4	100K
R5	100K
R6	100K
R7	100K
R8	100K
R9	100K
R10	100K
R11	100K
R12	100K
R13	100K
R14	100K
R15	100K
R16	100K
R17	100K
R18	100K
R19	100K
R20	100K
R21	100K
R22	100K
R23	100K
R24	100K
R25	100K
R26	100K
R27	100K
R28	100K
R29	100K
R30	100K

UNLESS OTHERWISE SPECIFIED

TOLERANCES	1/2% 1%
RESISTORS	1% 2% 5% 10%
CAPACITORS	5% 10% 20%
INDUCTORS	5% 10%
TRANSFORMERS	5% 10%
VALVES	5% 10%
CONDENSERS	5% 10%

DRAWING NO. 107103

REV. 1

DATE 1/21/53

BY [ ]

CHECKED [ ]

APPROVED [ ]

DESIGNED BY [ ]

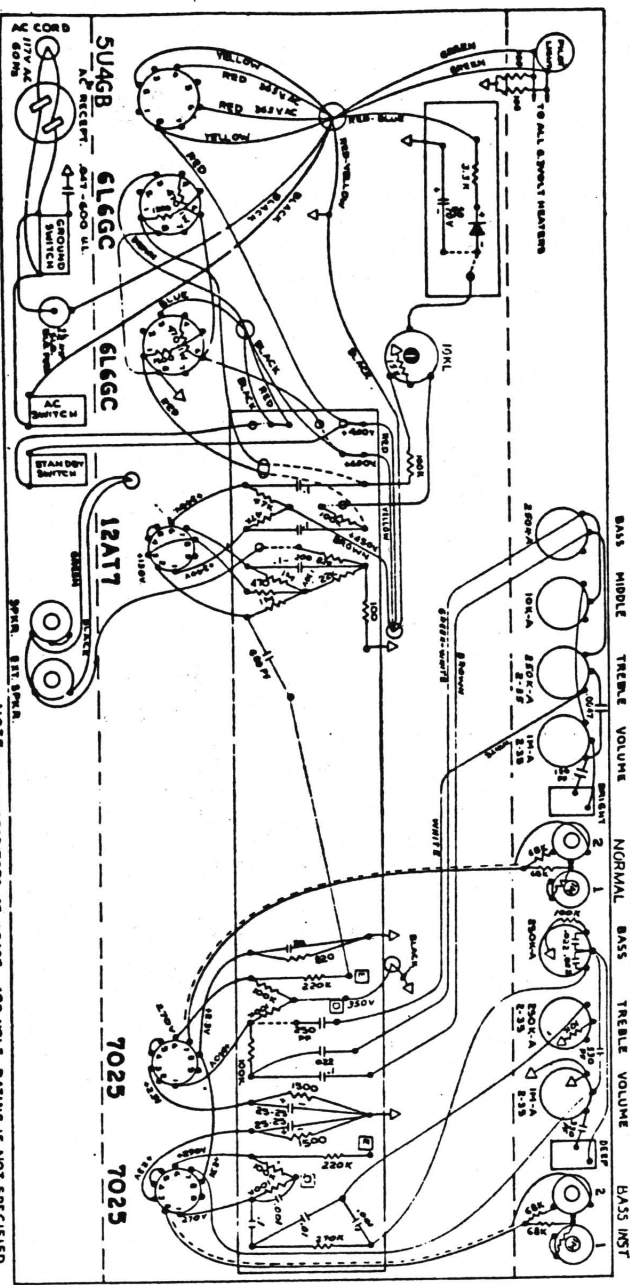
DRAWN BY [ ]

TUBE TYPE CFA7003

MODEL NO. D 721939

SHEET 1 OF 2

# FENDER "BANTAM BASS - AMP CFA7003" LAYOUT



**NOTICE**  
 VOLTAGES READ TO GROUND WITH ELECTRONIC  
 VOLTAGE METER. NO INPUT SIGNAL.  
 NORMAL BASS TREBLE VOLUME BASS INST

NOTE: ALL RESISTORS 1/2 WATT 5% TOLERANCE, IF NOT SPECIFIED.

NOTE: ALL CAPACITORS AT LEAST 400 VOLT RATING IF NOT SPECIFIED.

WIRE COLOR	WIRE SIZE	WIRE GAUGE
YELLOW	18	1.02
RED	18	1.02
BLACK	18	1.02
GREEN	18	1.02
WHITE	18	1.02