



8

7

6

5

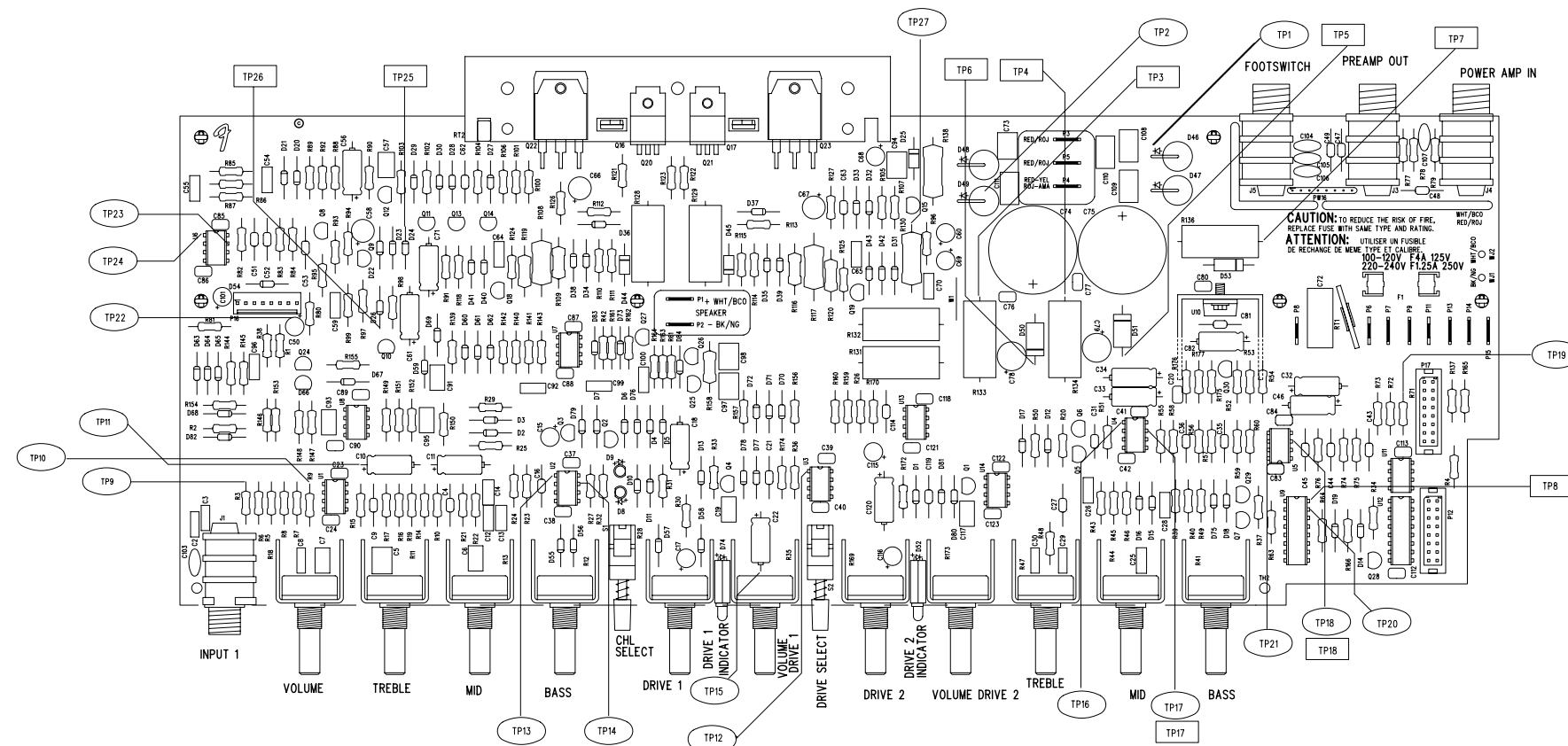
4

3

2


1

REVISIONS			
REV.	DESCRIPTION	DATE	APPROVED
A	PR575	17-MAR-04	L.L.
B	EC 3113	28-JUN-04	L E L



FILM/DWG: SERVICE DIAGRAM  
 DATABASE: Z575P.PCB DATE: 28-JUN-04

1. SEE SHEET 1 FOR PRIMARY, WIRING, TEST CONDITIONS & TEST POINT VALUES.  
 NOTES: (UNLESS OTHERWISE NOTED)

THIS DOCUMENT CONTAINS INFORMATION OF A PROPRIETARY NATURE TO FENDER MUSICAL INSTRUMENTS AND IS SUBMITTED TO YOU IN CONFIDENCE AND SHALL NOT BE DISCLOSED OR TRANSMITTED TO OTHERS WITHOUT AUTHORIZATION FROM FENDER MUSICAL INSTRUMENTS.		 <b>MUSICAL INSTRUMENTS</b> Corona, CA U.S.A.	
CHECKED BY: _____	DATE: _____	TITLE: SERVICE DIAGRAM, COMBINED (PCB assy) DELUXE 900 MAIN PCB	
APPROVED BY: _____	DATE: _____	SIZE: <b>D</b>	DRAWING NUMBER: <b>0062145000</b>
DRAWN: L. LORENZEN	ENGR: L. LORENSEN	RELEASE DATE: 17-MAR-04	SHEET 2 OF 2
DATABASE FILE: Z575P.PCB			

8

7

6

5

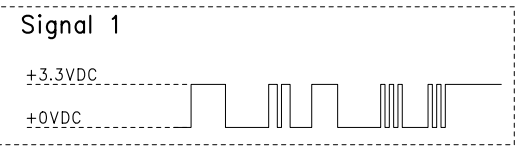
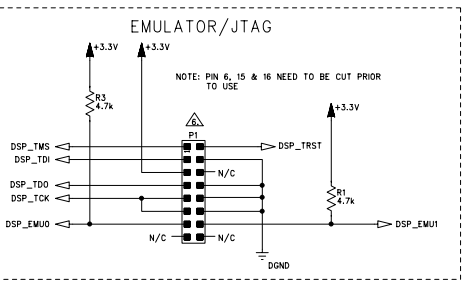
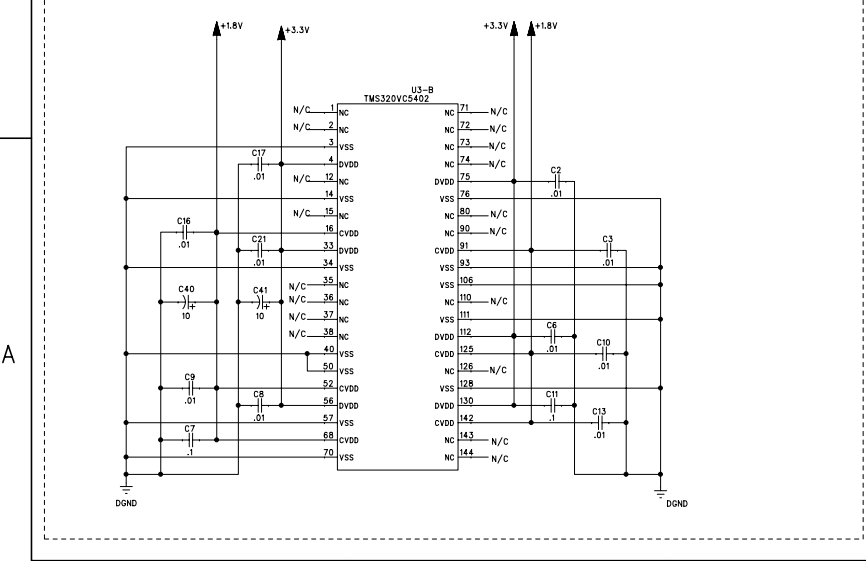
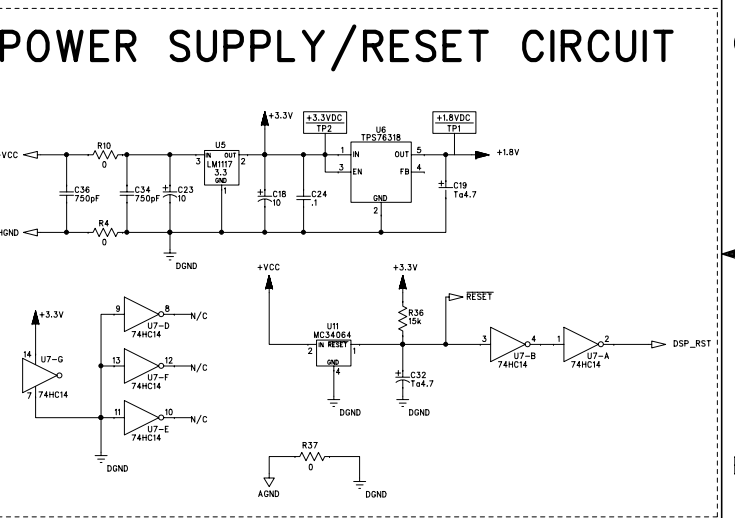
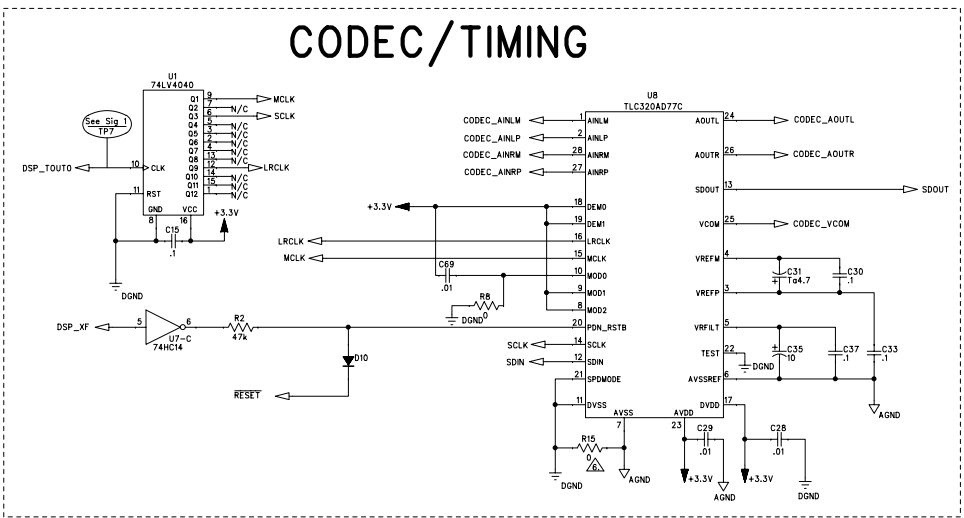
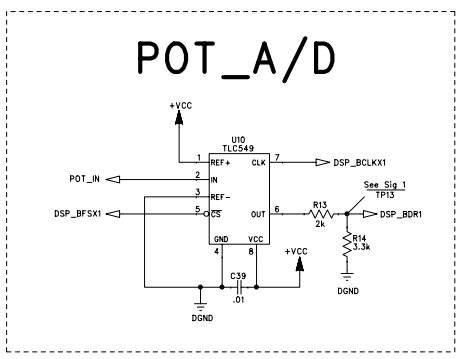
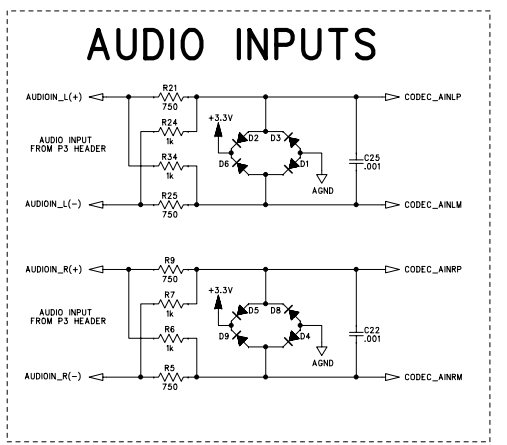
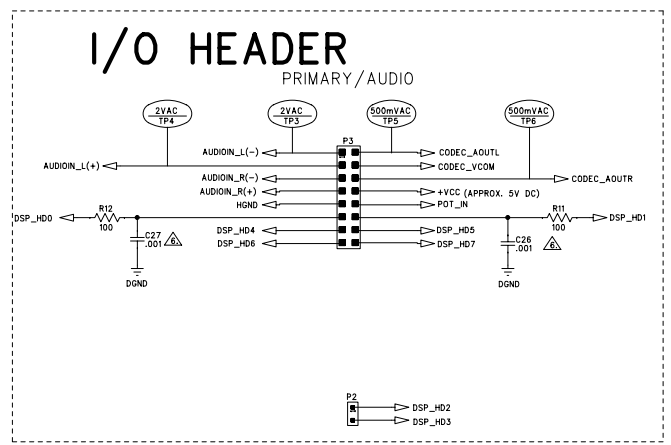
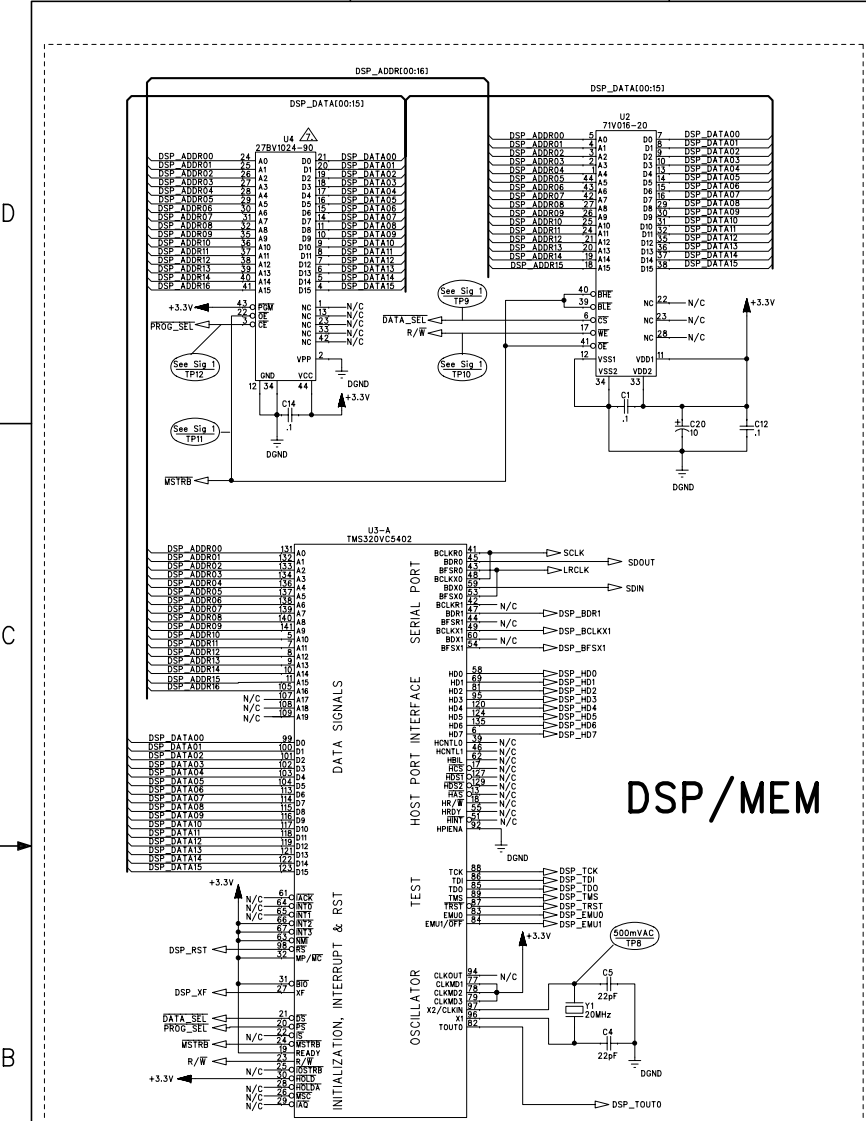
4

3

2

1

REVISIONS			
REV.	DESCRIPTION	DATE	APPROVED
A	PR480	29-NOV-01	J T L
B	EC 2743	07-MAR-02	J T L
C	EC 2789	10-JUN-02	J C S
D	PR542	25-APR-03	R J D



- NOTES: (UNLESS OTHERWISE NOTED)
- INSTALL IC IN SOCKET. FENDER P/N 0056585005
  - DO NOT STUFF C26-27, P1, R15.
  - THIS SCHEMATIC IS FOR PCB FABRICATION P/N 0057284000 AND PCB ASSEMBLY P/N 0057285000.
  - ALL DIODES ARE 1N4148.
  - ALL UNPOLARIZED CAPACITORS IN uF, 20% OR BETTER; 16V MINIMUM. (POWER SUPPLY BYPASS CAPACITORS ARE 20%).
  - ALL RESISTORS IN OHMS, 5% 1/10W.

THIS DOCUMENT CONTAINS INFORMATION OF A PROPRIETARY NATURE TO FENDER MUSICAL INSTRUMENTS AND IS SUBMITTED TO YOU IN CONFERENCE AND SHALL NOT BE DISCLOSED OR TRANSMITTED TO OTHERS WITHOUT AUTHORIZATION FROM FENDER MUSICAL INSTRUMENTS.

**Fender** MUSICAL INSTRUMENTS  
 Corona, CA U.S.A.

CHECKED BY: \_\_\_\_\_  
 DATE: \_\_\_\_\_  
 APPROVED BY: \_\_\_\_\_  
 DATE: \_\_\_\_\_

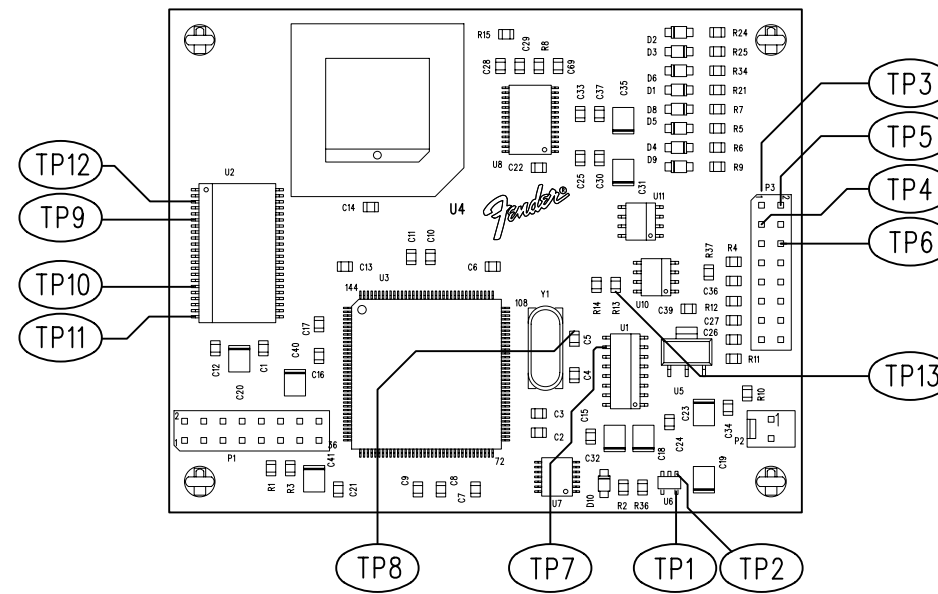
TITLE: SERVICE DIAGRAM, COMBINED (schematic) MICRO DSP

SIZE: **D** DRAWING NUMBER: **0057283000** REV. **D**

DRAWN: J. Jimenez ENGR: J. Lamb  
 DATABASE FILE: Z4815.SCH  
 RELEASE DATE: 29-NOV-01 SHEET: 1 OF 2

REVISIONS


REV.	DESCRIPTION	DATE	APPROVED
A	PR480	30-NOV-01	J T L
B	EC 2743	07-MAR-02	J T L
C	EC 2789	10-JUN-02	J C S
D	PR542	25-APR-03	R J D



FILM/DWG: SERVICE DIAGRAM  
 DATABASE: Z481P.PCB DATE: 25-APR-03

1. SEE SHEET 1 FOR TEST CONDITIONS AND TEST POINT VALUES.

NOTES: (UNLESS OTHERWISE NOTED)

THIS DOCUMENT CONTAINS INFORMATION OF A PROPRIETARY NATURE TO FENDER MUSICAL INSTRUMENTS AND IS SUBMITTED TO YOU IN CONFIDENCE AND SHALL NOT BE DISCLOSED OR TRANSMITTED TO OTHERS WITHOUT AUTHORIZATION FROM FENDER MUSICAL INSTRUMENTS.		 MUSICAL INSTRUMENTS Corona, CA U.S.A.	
CHECKED BY: _____ DATE: _____		TITLE: SERVICE DIAGRAM, COMBINED (PCB assy) uDSP SERIES	
APPROVED BY: _____ DATE: _____		SIZE <b>B</b>	DRAWING NUMBER 0057283000
DRAWN: J. Jimenez	ENGR: J. Lamb	REV. D	
DATABASE FILE: Z481P.PCB		RELEASE DATE: 30-NOV-01	SHEET 2 OF 2