

# FENDER "TREMOLUX" SCHEMATIC

## MODEL 669-B

P/O

C-FB

### NOTICE

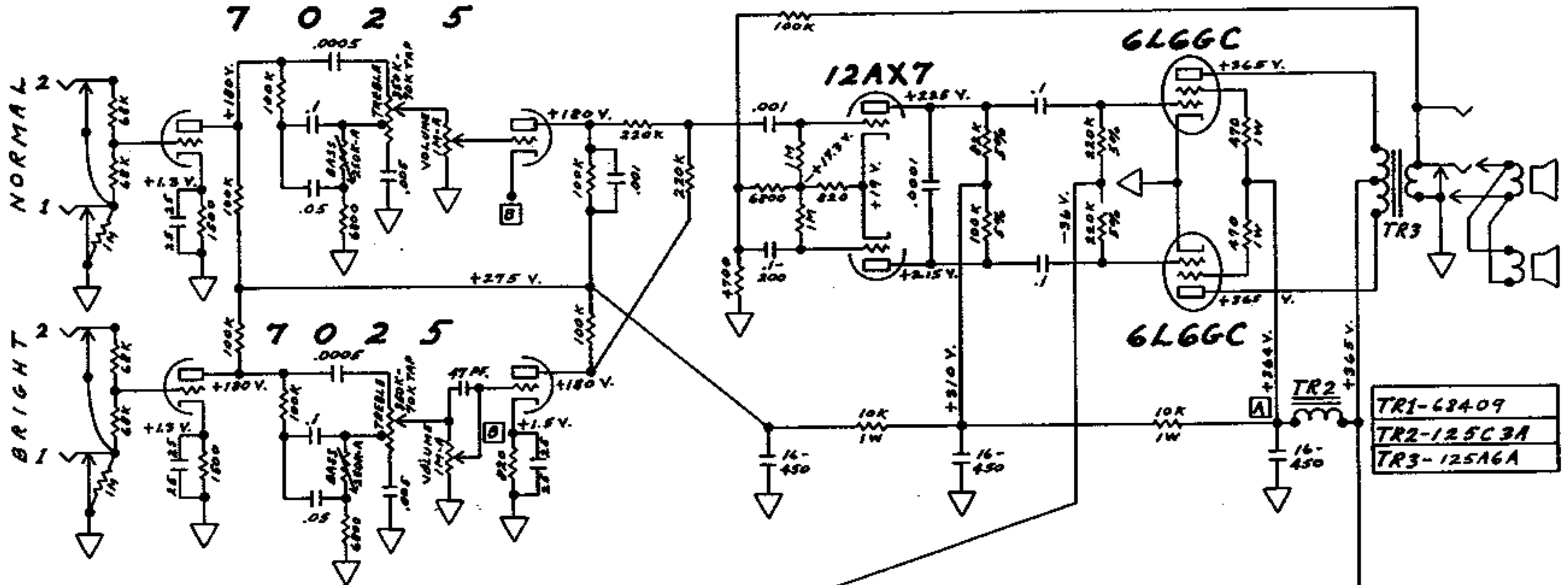
- 1- VOLTAGES READ TO GROUND WITH ELECTRONIC VOLTMETER. VALUES SHOWN + OR - 20%
- 2- ALL RESISTORS 1/2 WATT, 10% TOLERANCE IF NOT SPECIFIED.
- 3- ALL CAPACITORS AT LEAST 400 VOLT RATING IF NOT SPECIFIED.

CIRCUIT PATENT #2817708

7 0 2 5

NORMAL

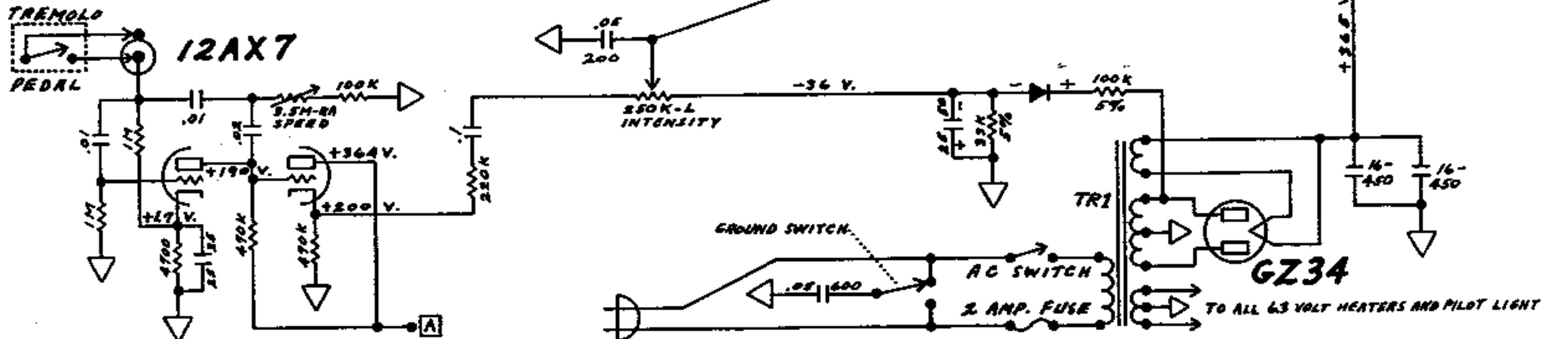
BRIGHT



7 0 2 5

TREMOLUX  
PEDAL

12AX7



FENDER MUSICAL INSTRUMENTS  
A DIVISION OF COLUMBIA RECORD DISTRIBUTION COEP.  
SANTA ANA, CALIFORNIA  
U.S.A.

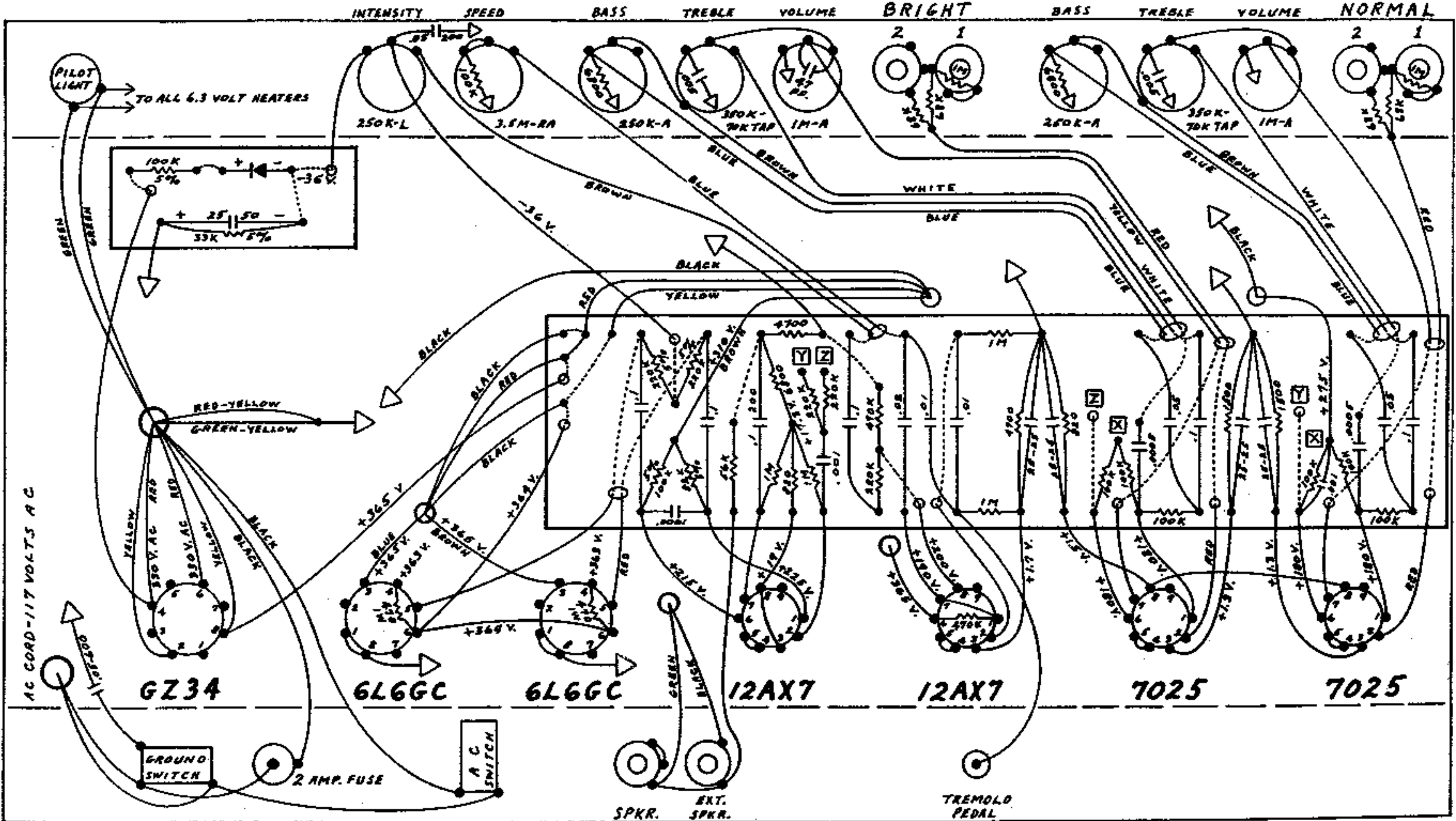
TO ALL 6.3 VOLT HEATERS AND PILOT LIGHT

# FENDER "TREMOLUX" LAYOUT

MODEL 669-B C-FB #/0

## NOTICE

VOLTAGES READ TO GROUND WITH ELECTRONIC VOLTMETER. VALUES SHOWN + OR - 20%



NOTE - ALL RESISTORS 1/2 WATT, 10% TOLERANCE IF NOT SPECIFIED.

NOTE - ALL CAPACITORS AT LEAST 400 VOLT RATING IF NOT SPECIFIED.

**FENDER MUSICAL INSTRUMENTS**  
 A DIVISION OF COLUMBIA RECORDS DISTRIBUTION CORP.  
 SANTA ANA, CALIFORNIA  
 U.S.A.