

12AX7

12AX7

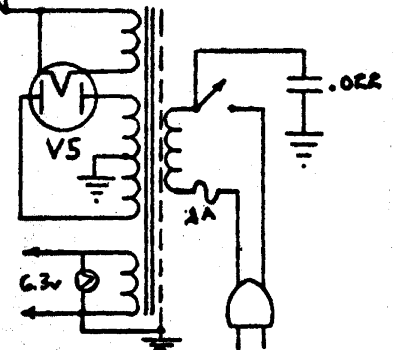
6V6

6V6

5Y3

Tube Type	E_p	$E_{s\phi}$	E_c	E_k
V1 12AX7	120	—	-.65	0
V2 12AX7	170	—	0	1.6
V3 6V6	338	260	0	17.5
V4 6V6	338	260	0	17.5
V5 5Y3	320 _{RMS}	—	—	345

DC Voltages to chassis with 11 meg VTVM



EA-30 TRIUMPH
EPIPHONE, INC.