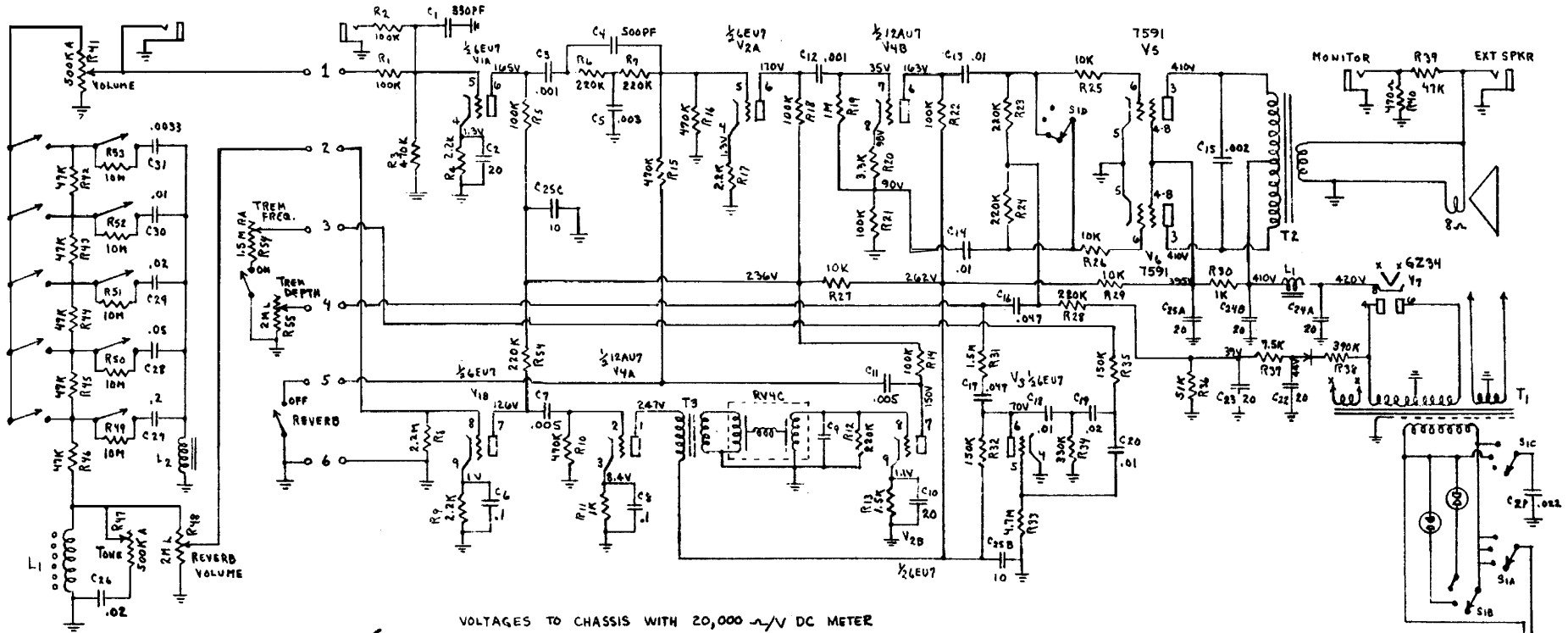


EA-8P

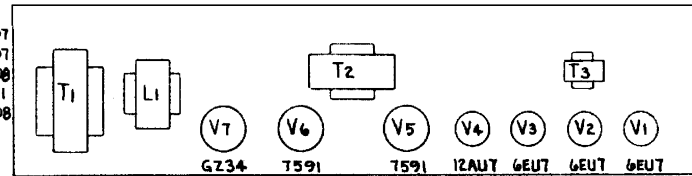


VOLTAGES TO CHASSIS WITH 20,000 Ω DC METER

- L1 PICKUP
- L2 CHOKE
- T1 POWER XFMR
- T2 OUTPUT XFMR
- T3 DRIVER XFMR
- S1 4 POLE, 4 POS SWITCH REVERB UNIT

- CPA-1023
- GA90C-1
- TF60P
- TF-P6417
- TF E6400
- SW 78
- RV4C

- R41 INSTRUMENT VOL CONTROL 500K AUDIO
- R47 INSTRUMENT TONE CONTROL 500K AUDIO
- R48 REVERB VOL CONTROL 2M LINEAR
- R54 TREMOLO FREQ CONTROL 1.5M REVERSED
- R55 TREMOLO DEPTH CONTROL 2M LINEAR
- CBA 811-3707
- CBA 811-3707
- CBA 811-3708
- CBA 811-3711
- CBA 811-3708



CAPACITORS IN MFD
RESISTORS IN OHMS K = 1,000 ; M = 1,000,000