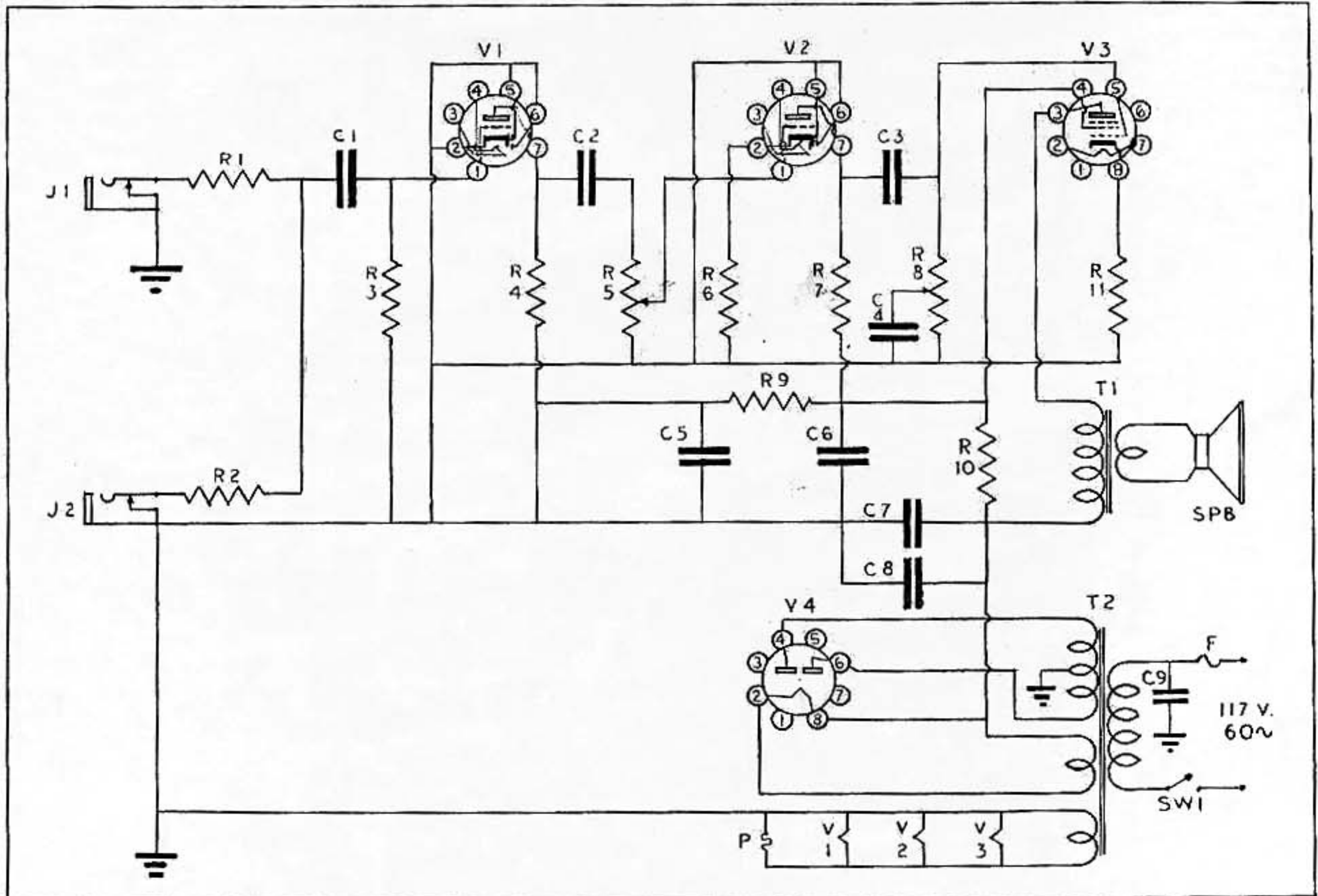


Harmony

SCHEMATIC CIRCUIT OF MODEL H304 AMPLIFIER



PARTS LIST

R1—100 K ohm ½ W. resistor
 R2—100 K ohm ½ W. resistor
 R3—2.7 megohm ½ W. resistor
 R4—100 K ohm ½ W. resistor
 R5—500 K ohm volume control
 R6—3.3 K ohm ½ W. resistor
 R7—250 K ohm ½ W. resistor
 R8—500 K ohm tone control
 R9—100 K ohm ½ W. resistor
 R10—4 K ohm 1 W. resistor
 R11—270 ohm 5 W. resistor
 C1—.05 mfd. 400 V. condenser
 C2—.02 mfd. 400 V. condenser
 C3—.02 mfd. 400 V. condenser
 C4—.013 mfd. 400 V. condenser
 C5—4 mfd. 400 V. condenser

C6—20 mfd. 400 V. condenser
 C7—20 mfd. 400 V. condenser
 C8—20 mfd. 400 V. condenser
 C9—.02 mfd. 400 V. condenser
 J1—Closed circuit jack
 J2—Closed circuit jack
 F—3AG 2 amp. fuse
 P—Pilot light
 SP8—8" 8 ohm speaker
 SW1—Off-On toggle switch
 T1—8 ohm output transformer
 T2—Power transformer
 V1—6BF6 tube
 V2—6AT6 tube
 V3—6V6 tube
 V4—5Y3 tube