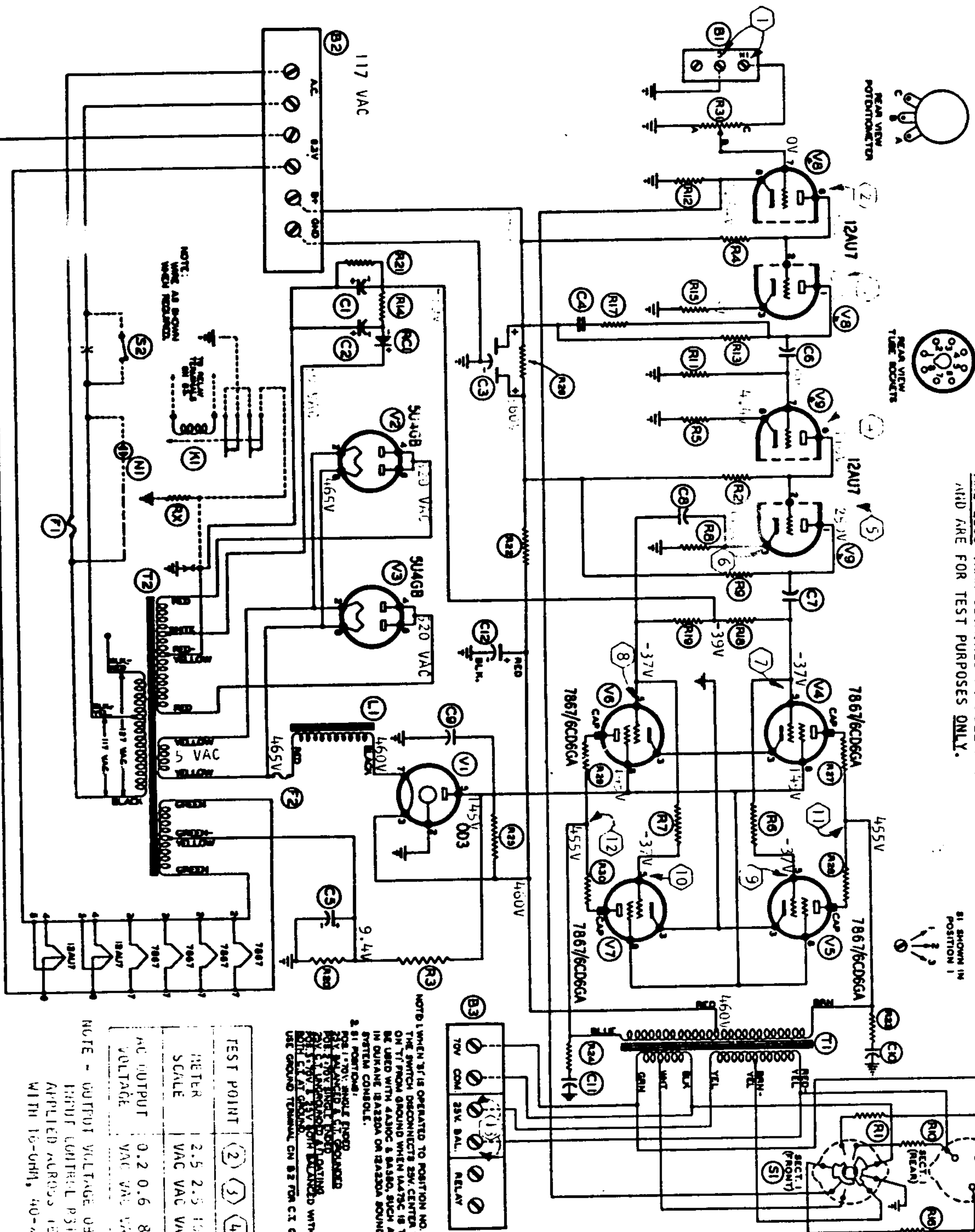


IMPORTANT NOTE - AC OUTPUT VOLTAGES SHOWN AT TEST POINTS (1) THROUGH (13) ARE LESS THAN OBTAINED AT FULL RATED OUTPUT AND ARE FOR TEST PURPOSES ONLY.

SI VIEWED FROM ANODE
SI SHOWN IN POSITION 1



LIST OF ELECTRICAL PARTS

U.S. NO.	DESCRIPTION	QTY	PART NO.
C1,C2	CAPACITOR 20 MFD. 150V	2	188-2018-208
C3	" " 20-50V	1	188-2814
C4	" " 0.0022 - 50V	1	188-2001-251
C5	" " .22 - 25V	1	188-2001-258
C6,C7,C8	" " .22 - 500V	4	188-4036-254
C9,C10	" " .002 - 1000V	2	188-4000-202
C12	" " .18 - 600V	1	188-2943
V1	ELECTRON TUBE 6X3	1	242-003
V2,V3	" " 6X4GB	2	242-51404
V4,V5,V6,V7	" " 7867/6CD6GA	4	242-98-00003
V8,V9	" " 12AU7	2	242-124U7
F1	FUSE 3 AMPERE	1	320-833-0300
F2	FUSE 1/2 AMPERE	1	320-833-0030
F3	FUSE HOLDER	2	321-10
R1	RECTIFIER-SILICON	1	385-44
L1	ALUM. CORE	1	543-18
R1	RESISTOR 150000 OHM 1W	1	600-0118-134
R2,R3	" " 100000 "	2	600-0116-104
R4	" " 270000 "	1	600-0118-274
R5	" " 1500 "	1	600-0118-152
R6,R7	" " 100000 "	2	600-0118-103
R8,R9	" " 250000 "	2	600-0118-233
R10	" " 1000000 "	1	600-0118-109
R11	" " 68000 "	1	600-0118-241
R12	" " 68000 "	1	600-0118-663
R13	" " 1800 "	1	600-0118-182
R14	" " 150000 "	1	600-0118-152
R15	" " 47000 "	1	600-0118-472
R16	" " 47000 "	1	600-0118-472
R17	" " 47000 "	1	600-0118-472
R18,R19	" " 58000 "	2	600-0118-583
R20	" " 68000 "	1	600-0118-682
R21	" " 270000 "	1	600-0118-272
R22	" " 100000 "	1	600-1008-102
R23	" " 10000 "	2	600-1011-102
R24	" " 10000 "	2	600-1014-102
R25	" " 10000 "	1	600-0133-102
R26	" " 10000 "	1	600-0133-102
R27	" " 50 "	4	600-0041

AUXILIARY PARTS

U.S. NO.	DESCRIPTION	QTY	PART NO.
N1	LAMP-NEON	1	548-32
N2	RELAY 8-OMV 24 VAC DIFT.	1	548-30
N3	SWITCH 8-8T. A.C.	1	600-102
N4	RESISTOR 20000 OHM	10 W	600-011-203

TEST POINT

TEST POINT	(2)	(3)	(4)	(5)	(6)	(7)	(8)	(9)	(10)	(11)	(12)	(13)
METER SCALE	2.5	2.5	10	10	10	10	10	10	10	250	250	10
AC OUTPUT VOLTAGE	0.2	0.6	8	5.7	5.7	5.7	5	5	83	83	9	

NOTE - OUTPUT VOLTAGE OBTAINED WITH 1 KC SIGNAL (.015 VAC - INPUT CONTROL P31 SET TO OBTAIN 3 VAC AT TEST POINT (13) APPLIED ACROSS TEST POINT (1); OUTPUT VOLTAGE MEASURED WITH 10-OMH, 40-KWTT LOAD RESISTOR ACROSS TEST POINT (1)

3. VOLTAGES ON THIS SHEET WITH 24.000 OHM (5000 OHM) VOM, AND VOLTS RANGE OFF SWM, VALUES ARE MEASURED FROM TEST POINT (1) TO CHASSIS GROUND.

DUPONT
SCHEMATIC DIAGRAM
MODEL 14475C
HYPERON PROGRAM AMP.
79/100 WATT

Part 2-23-48
100-032