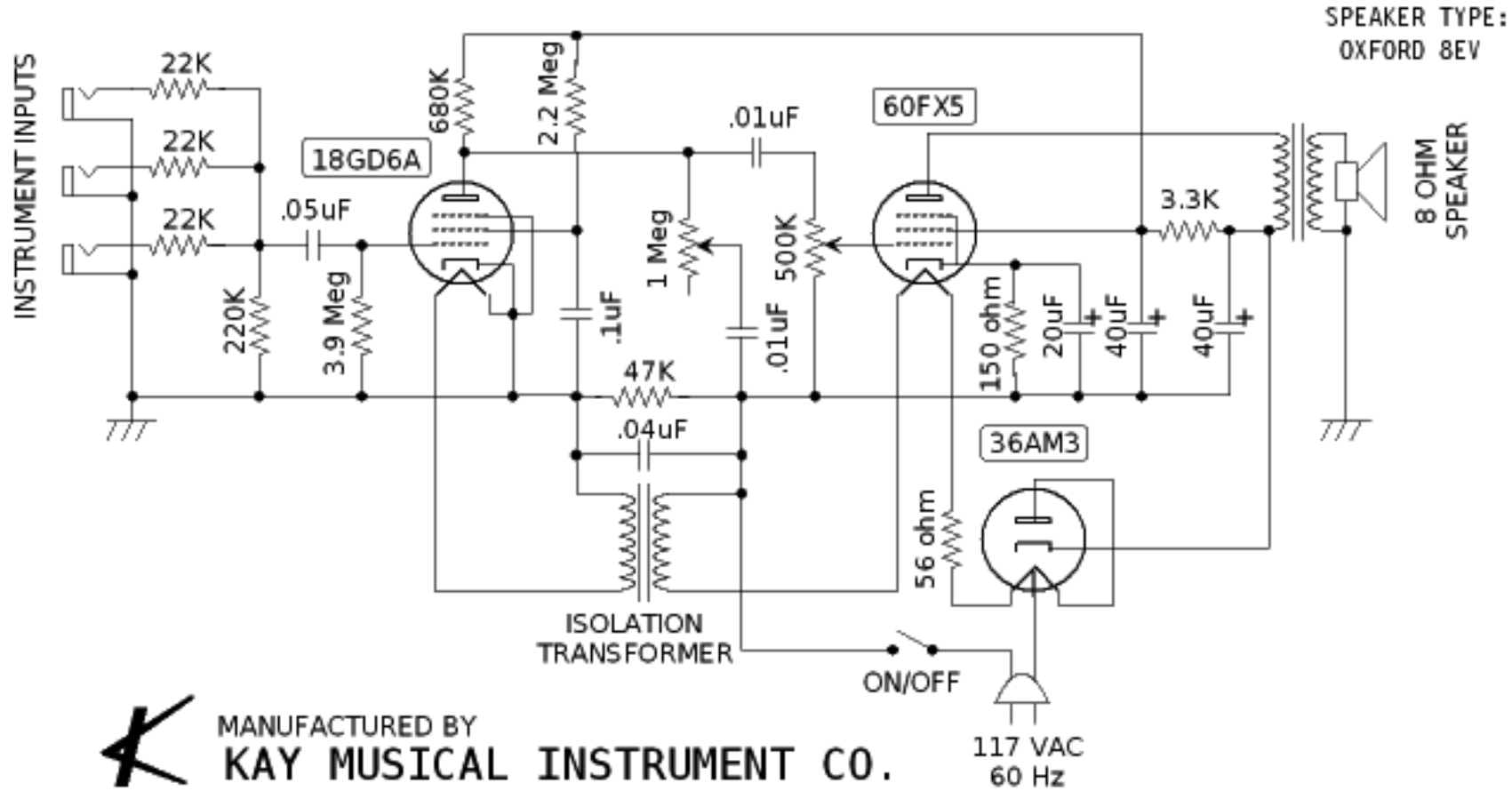


TITLE Electrical Schematic		
DESCRIPTION Kay 750 Guitar Amplifier (Circa 1967)		
DRAWN BY Rick Campbell	REVISION n/a	DATE 06 August 2005

AMPLIFIER MODEL K-750



K

MANUFACTURED BY
KAY MUSICAL INSTRUMENT CO.

THIS DIAGRAM PROVIDED FOR INFORMATIONAL / EDUCATIONAL USE ONLY. ANY USE IS AT YOUR OWN RISK. ALL PERSON(S) RESPONSIBLE FOR THE CREATION AND / OR DISTRIBUTION OF THIS DIAGRAM DISCLAIM ANY AND ALL LIABILITY FOR CONSEQUENCES OF YOUR USE OF THIS INFORMATION. VACUUM TUBE CIRCUITS CAN CONTAIN DANGEROUS HIGH VOLTAGES THAT CAN BE HARMFUL OR EVEN LETHAL IF APPROPRIATE SAFETY MEASURES ARE NOT TAKEN.