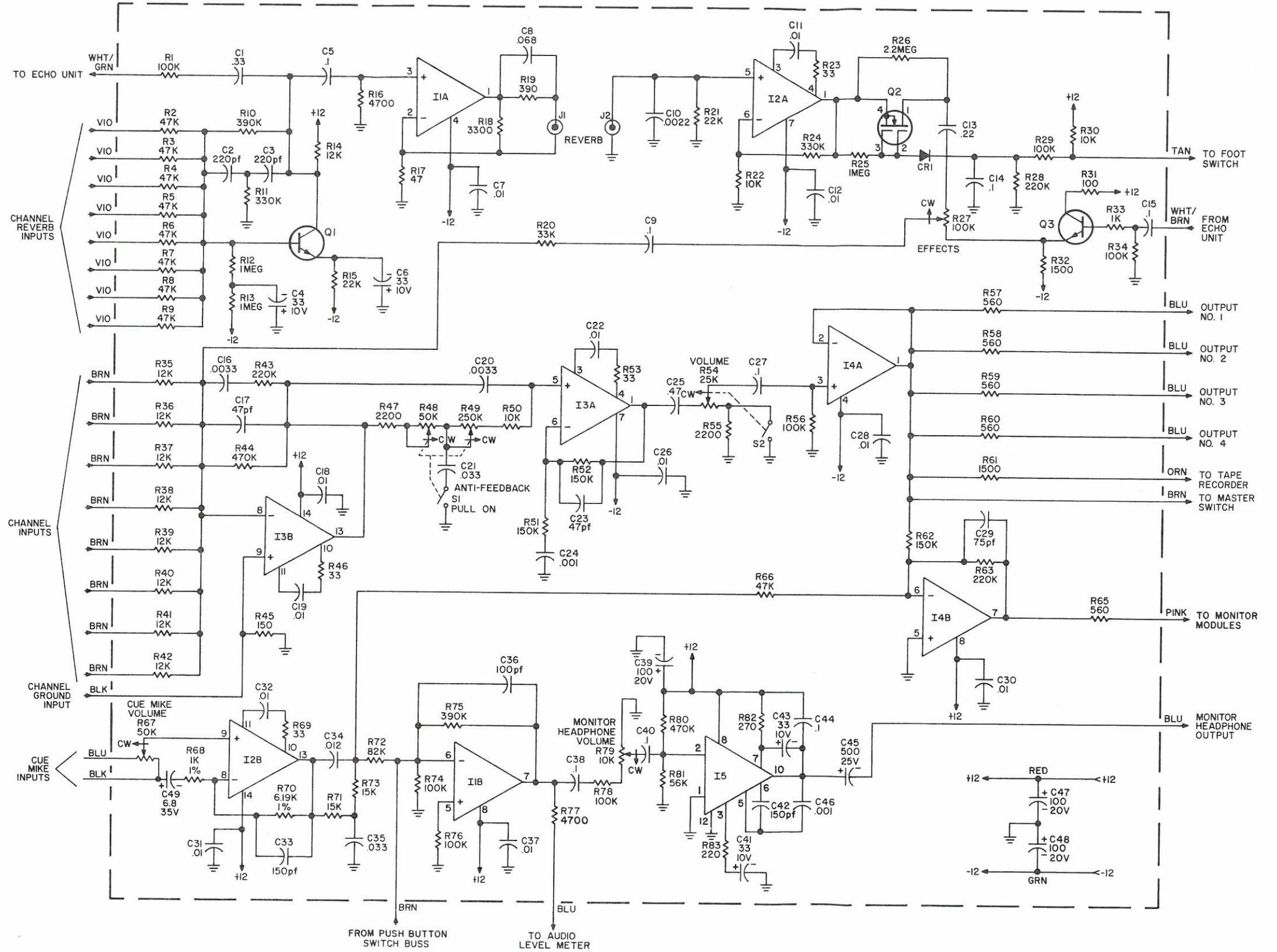
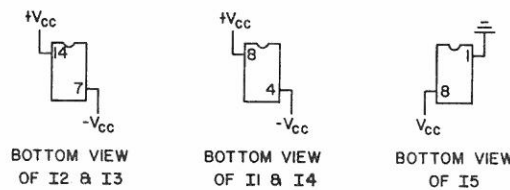


SYMBOL	KUSTOM PART NO.
Q1 & Q3	007-0008-00
Q2	007-0024-00
CR1	007-6016-00
I2 & I3	007-7015-00
I1 & I4	007-7023-00
I5	007-7039-00
J1 & J2	030-1003-00
R79	133-0001-00
R27	133-0011-00
R67	133-0012-00
R54 & S2	133-0020-00
R48, R49, & S1	133-0028-00
R68	125-1001-01
R70	125-6191-01
C4, C6, C41, C43	096-1007-09
C39, C47, C48	096-1007-17
C45	095-0015-01

NOTES:
 1. ALL CAPACITOR VALUES ARE IN MICROFARADS, UNLESS NOTED.
 2. ALL RESISTORS ARE 1/2W, 10%, UNLESS NOTED.



REV	NO	DATE	BY	DESCRIPTION
1	7/12	4-72	JLS	
2	7/10	4-72	JLS	
3	8/20	5-72	JLS	

REV	PART NUMBER	DESCRIPTION	ITEM
1	002-5048-00	MASTER CONTROL PC5048	

Kustom ELECTRONICS, INC.		CHANUTE, KAN. 66720	
DRN	JLS	DATE	12-71
CHK	JLS	DATE	12-71
ENGR	JLS	DATE	12-71
SCALE	NONE	SHT	OF 1
TOLERANCES		MATERIAL	
NONE		NONE	
NAME SCHEMATIC DIAGRAM			
PART NUMBER			
002-5048-00			