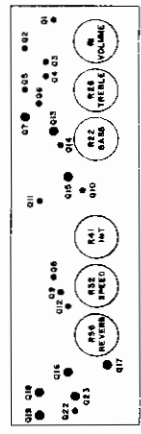
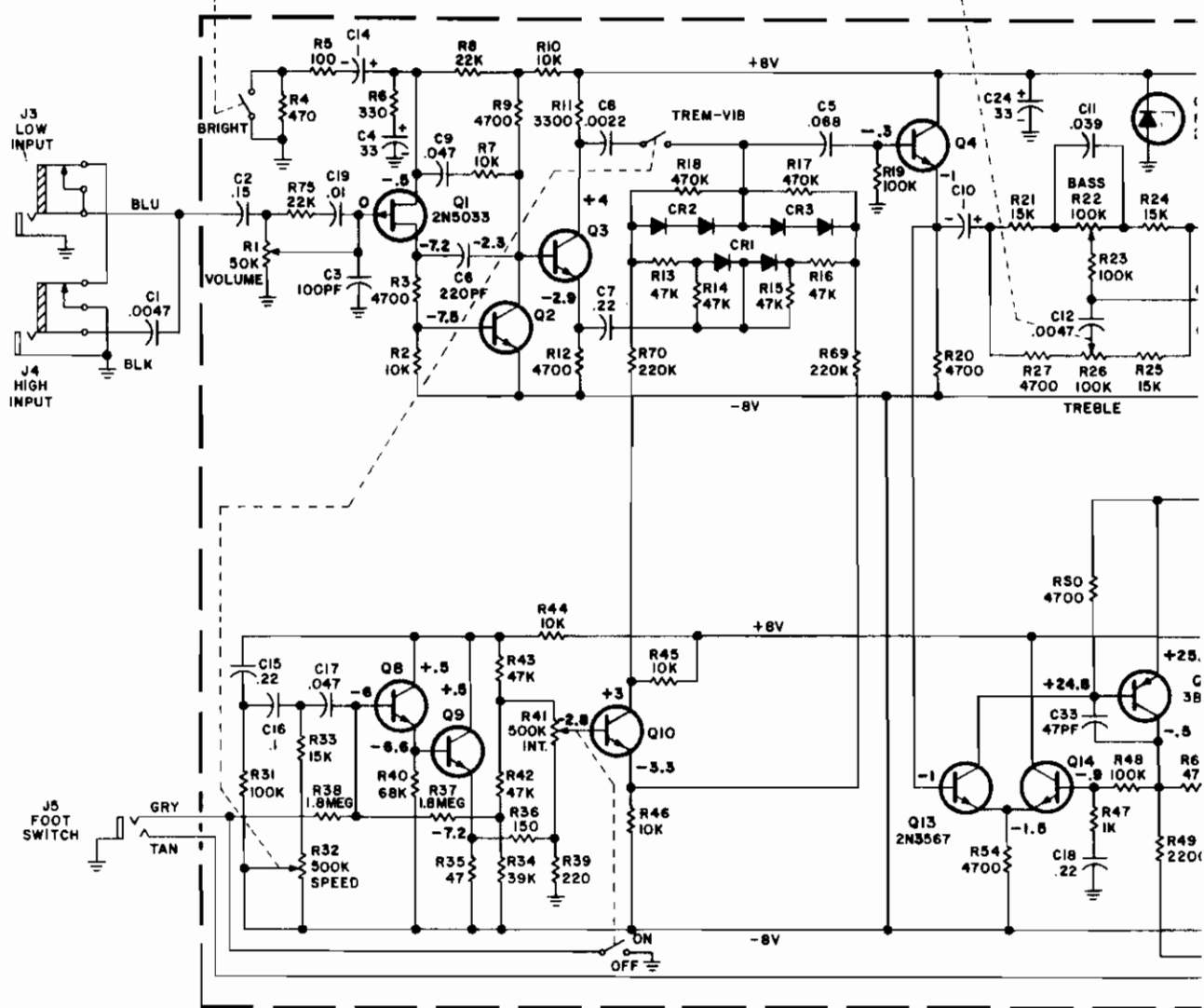


- NOTES
1. ALL RESISTORS ARE 1/2W, 5%, UNLESS NOTED OTHERWISE.
  2. ALL CAPACITORS ARE 50V UNLESS NOTED OTHERWISE.
  3. ALL TRANSISTORS ARE PENTOD OR SEAGOR, UNLESS NOTED OTHERWISE.
  4. DIODE CR6 IS MOUNTED IN CLIP ON CHASSIS.
  5. TRANSISTORS Q20 & Q21 ARE MOUNTED IN BRACKET ON CHASSIS.
  6. VOLTAGES ARE WITH POWER ON, ALL CONTROLS FULL ON, NO SIGNAL, NO LOAD AND MEASURED FROM COMMON GND.



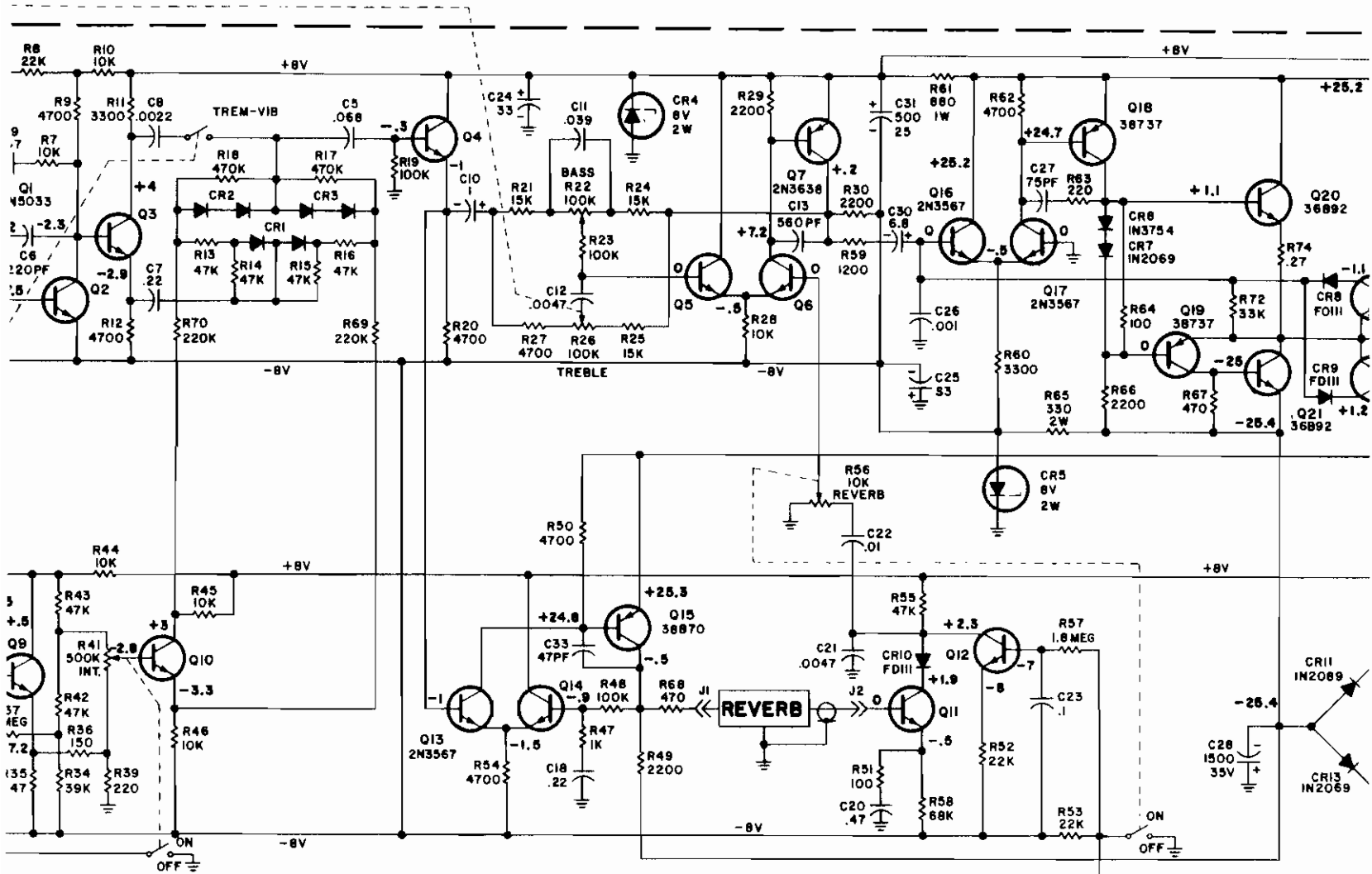
TRANSISTOR DIAGRAM

PART NUMBER		DESCRIPTION		QUANTITY		REVISION	
PC5025		TRANSISTOR RADIO		1		1	
PC5025-1		TRANSISTOR RADIO		1		1	
PC5025-2		TRANSISTOR RADIO		1		1	
PC5025-3		TRANSISTOR RADIO		1		1	
PC5025-4		TRANSISTOR RADIO		1		1	
PC5025-5		TRANSISTOR RADIO		1		1	
PC5025-6		TRANSISTOR RADIO		1		1	
PC5025-7		TRANSISTOR RADIO		1		1	
PC5025-8		TRANSISTOR RADIO		1		1	
PC5025-9		TRANSISTOR RADIO		1		1	
PC5025-10		TRANSISTOR RADIO		1		1	
PC5025-11		TRANSISTOR RADIO		1		1	
PC5025-12		TRANSISTOR RADIO		1		1	
PC5025-13		TRANSISTOR RADIO		1		1	
PC5025-14		TRANSISTOR RADIO		1		1	
PC5025-15		TRANSISTOR RADIO		1		1	
PC5025-16		TRANSISTOR RADIO		1		1	
PC5025-17		TRANSISTOR RADIO		1		1	
PC5025-18		TRANSISTOR RADIO		1		1	
PC5025-19		TRANSISTOR RADIO		1		1	
PC5025-20		TRANSISTOR RADIO		1		1	
PC5025-21		TRANSISTOR RADIO		1		1	
PC5025-22		TRANSISTOR RADIO		1		1	
PC5025-23		TRANSISTOR RADIO		1		1	
PC5025-24		TRANSISTOR RADIO		1		1	
PC5025-25		TRANSISTOR RADIO		1		1	
PC5025-26		TRANSISTOR RADIO		1		1	
PC5025-27		TRANSISTOR RADIO		1		1	
PC5025-28		TRANSISTOR RADIO		1		1	
PC5025-29		TRANSISTOR RADIO		1		1	
PC5025-30		TRANSISTOR RADIO		1		1	
PC5025-31		TRANSISTOR RADIO		1		1	
PC5025-32		TRANSISTOR RADIO		1		1	
PC5025-33		TRANSISTOR RADIO		1		1	
PC5025-34		TRANSISTOR RADIO		1		1	
PC5025-35		TRANSISTOR RADIO		1		1	
PC5025-36		TRANSISTOR RADIO		1		1	
PC5025-37		TRANSISTOR RADIO		1		1	
PC5025-38		TRANSISTOR RADIO		1		1	
PC5025-39		TRANSISTOR RADIO		1		1	
PC5025-40		TRANSISTOR RADIO		1		1	
PC5025-41		TRANSISTOR RADIO		1		1	
PC5025-42		TRANSISTOR RADIO		1		1	
PC5025-43		TRANSISTOR RADIO		1		1	
PC5025-44		TRANSISTOR RADIO		1		1	
PC5025-45		TRANSISTOR RADIO		1		1	
PC5025-46		TRANSISTOR RADIO		1		1	
PC5025-47		TRANSISTOR RADIO		1		1	
PC5025-48		TRANSISTOR RADIO		1		1	
PC5025-49		TRANSISTOR RADIO		1		1	
PC5025-50		TRANSISTOR RADIO		1		1	
PC5025-51		TRANSISTOR RADIO		1		1	
PC5025-52		TRANSISTOR RADIO		1		1	
PC5025-53		TRANSISTOR RADIO		1		1	
PC5025-54		TRANSISTOR RADIO		1		1	
PC5025-55		TRANSISTOR RADIO		1		1	
PC5025-56		TRANSISTOR RADIO		1		1	
PC5025-57		TRANSISTOR RADIO		1		1	
PC5025-58		TRANSISTOR RADIO		1		1	
PC5025-59		TRANSISTOR RADIO		1		1	
PC5025-60		TRANSISTOR RADIO		1		1	
PC5025-61		TRANSISTOR RADIO		1		1	
PC5025-62		TRANSISTOR RADIO		1		1	
PC5025-63		TRANSISTOR RADIO		1		1	
PC5025-64		TRANSISTOR RADIO		1		1	
PC5025-65		TRANSISTOR RADIO		1		1	
PC5025-66		TRANSISTOR RADIO		1		1	
PC5025-67		TRANSISTOR RADIO		1		1	
PC5025-68		TRANSISTOR RADIO		1		1	
PC5025-69		TRANSISTOR RADIO		1		1	
PC5025-70		TRANSISTOR RADIO		1		1	
PC5025-71		TRANSISTOR RADIO		1		1	
PC5025-72		TRANSISTOR RADIO		1		1	
PC5025-73		TRANSISTOR RADIO		1		1	
PC5025-74		TRANSISTOR RADIO		1		1	
PC5025-75		TRANSISTOR RADIO		1		1	
PC5025-76		TRANSISTOR RADIO		1		1	
PC5025-77		TRANSISTOR RADIO		1		1	
PC5025-78		TRANSISTOR RADIO		1		1	
PC5025-79		TRANSISTOR RADIO		1		1	
PC5025-80		TRANSISTOR RADIO		1		1	
PC5025-81		TRANSISTOR RADIO		1		1	
PC5025-82		TRANSISTOR RADIO		1		1	
PC5025-83		TRANSISTOR RADIO		1		1	
PC5025-84		TRANSISTOR RADIO		1		1	
PC5025-85		TRANSISTOR RADIO		1		1	
PC5025-86		TRANSISTOR RADIO		1		1	
PC5025-87		TRANSISTOR RADIO		1		1	
PC5025-88		TRANSISTOR RADIO		1		1	
PC5025-89		TRANSISTOR RADIO		1		1	
PC5025-90		TRANSISTOR RADIO		1		1	
PC5025-91		TRANSISTOR RADIO		1		1	
PC5025-92		TRANSISTOR RADIO		1		1	
PC5025-93		TRANSISTOR RADIO		1		1	
PC5025-94		TRANSISTOR RADIO		1		1	
PC5025-95		TRANSISTOR RADIO		1		1	
PC5025-96		TRANSISTOR RADIO		1		1	
PC5025-97		TRANSISTOR RADIO		1		1	
PC5025-98		TRANSISTOR RADIO		1		1	
PC5025-99		TRANSISTOR RADIO		1		1	
PC5025-100		TRANSISTOR RADIO		1		1	

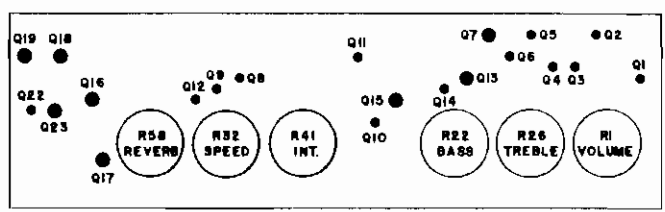


**NOTES:**

1. ALL RESISTORS ARE 1/2W, 10%, UNLESS NOTED.
2. ALL CAPACITOR VALUES ARE IN MICROFARADS, UNLESS NOTED.
3. ALL TRANSISTORS ARE PET8002 OR SE4002, UNLESS NOTED.
4. DIODE CR6 IS MOUNTED IN CLIP ON CHASSIS.
5. TRANSISTORS Q20 & Q21 ARE MOUNTED IN BRACKET ON CHASSIS.
6. VOLTAGES ARE WITH POWER ON, ALL CONTROLS FULL ON, NO SIGNAL, NO LOAD AND MEASURED FROM COMMON GND.



NOTED.  
 RADS, UNLESS NOTED.  
 1002, UNLESS NOTED.  
 SIS.  
 IN BRACKET ON CHASSIS.  
 L CONTROLS FULL ON,  
 FROM COMMON GND.



TRANSISTOR DIAGRAM

REV	DATE	BY

