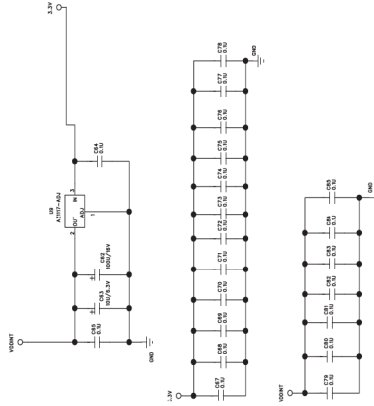
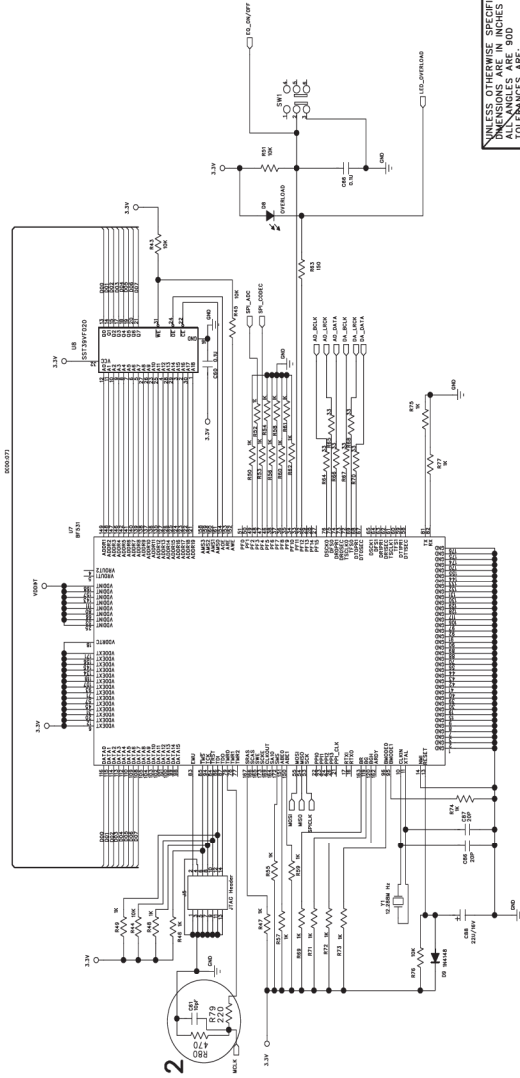
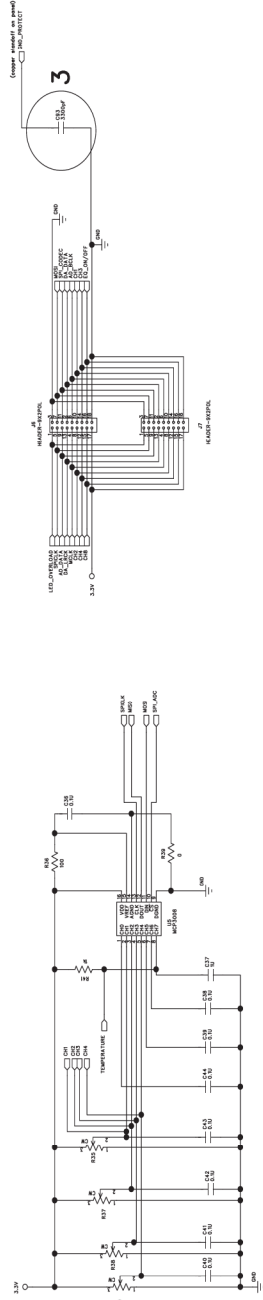


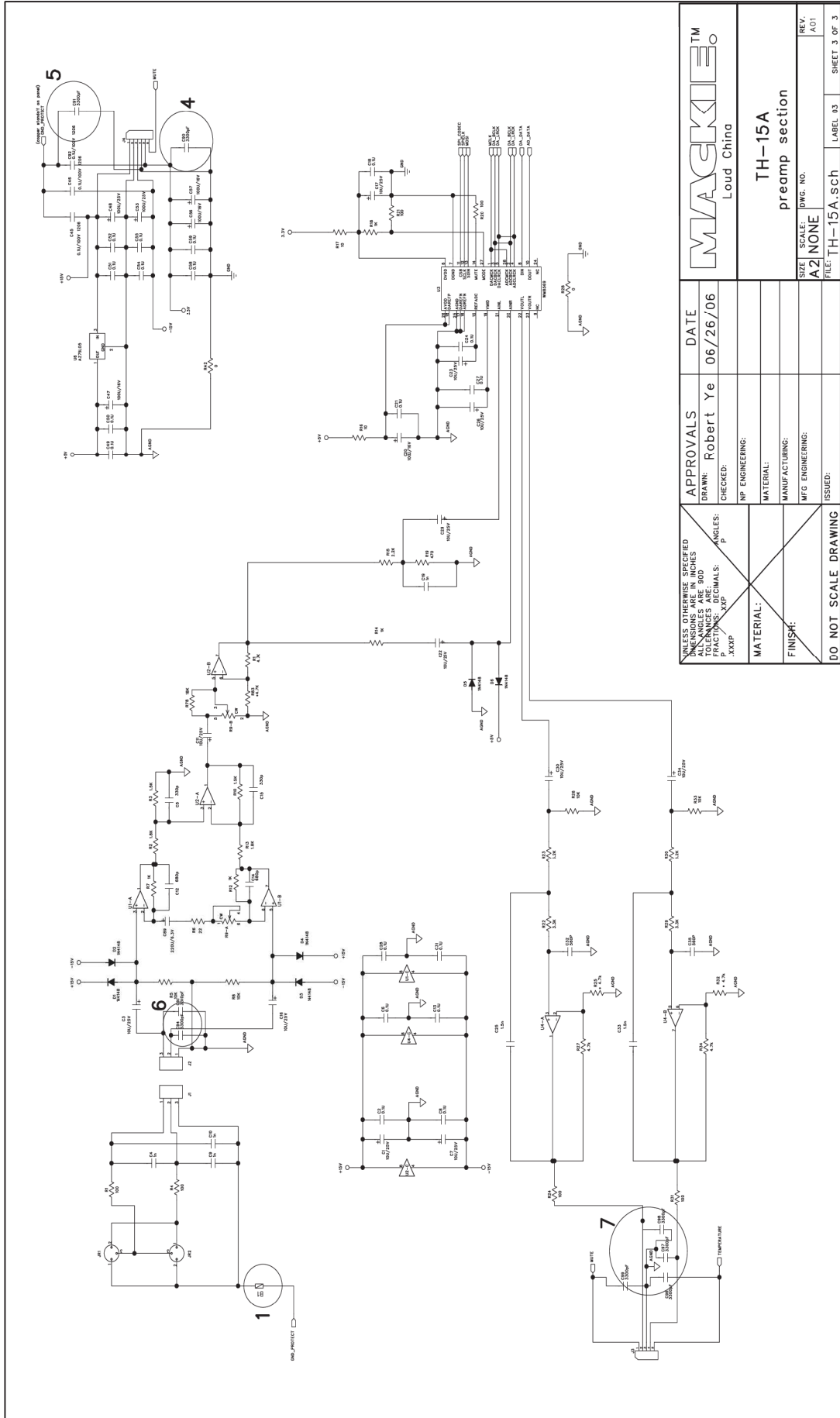
ALL DIMENSIONS UNLESS SPECIFIED DIMENSIONS ARE IN INCHES ALL ANGLES ARE 90° FRACTIONS: DECIMALS: .XXX .XX .X P	APPROVALS DRAWN: Jeff CHECKED: NP ENGINEERING:	DATE 6/25/06	Loud China TH-15A 15V/230V DATASHEET
	MATERIAL: FINISH:	SIZE SCALE: A4 NONE DWG. NO.: MFG ENGINEERING: ISSUED:	

DO NOT SCALE DRAWING

- CAPS ARE 25V IF NO MARK
- RES ARE SMD0603 IF NO MARK
- CAPS ARE SMD0603 IF NO MARK



DIMENSIONS UNLESS SPECIFIED DIMENSIONS ARE IN INCHES ALL ANGLES ARE 90D FRACTIONS: XX/YY DECIMALS: .XX ANGLES: P	APPROVALS DRAWN: Robert Ye DATE: 6/25/06	MACKIE™ Loud China TH-15A DSP Section
	CHECKED: NP ENGINEERING:	
MATERIAL: FINISH:	MANUFACTURING: MFG ENGINEERING:	REV. A01 SHEET 2 OF 3
DO NOT SCALE DRAWING		



UNLESS OTHERWISE SPECIFIED DIMENSIONS ARE IN INCHES ALL ANGLES ARE 90° FRACTIONS: XX/YY DECIMALS: .XX ANGLES: P TYPICAL: XXP	APPROVALS DRAWN: Robert Ye CHECKED:	DATE 06/26/06	<b>MACKIE™</b> Loud China
	NP ENGINEERING:	MATERIAL:	
	MANUFACTURING:	TH-15A preamp section	
	MFG ENGINEERING:	SIZE: A2 SCALE: NONE DWG. NO.:	
DO NOT SCALE DRAWING	ISSUED:	LABEL: 03	REV: A01 SHEET 3 OF 3