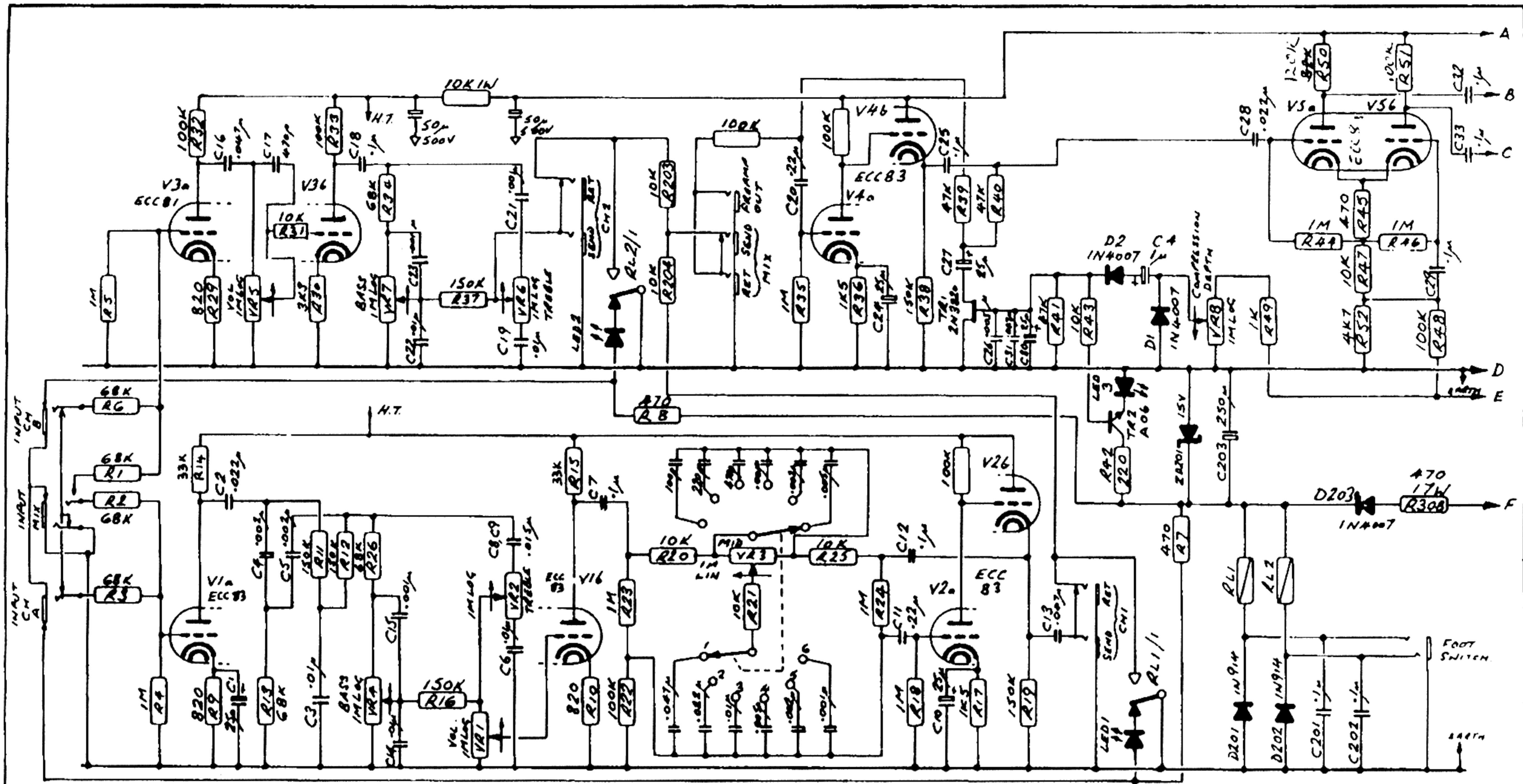


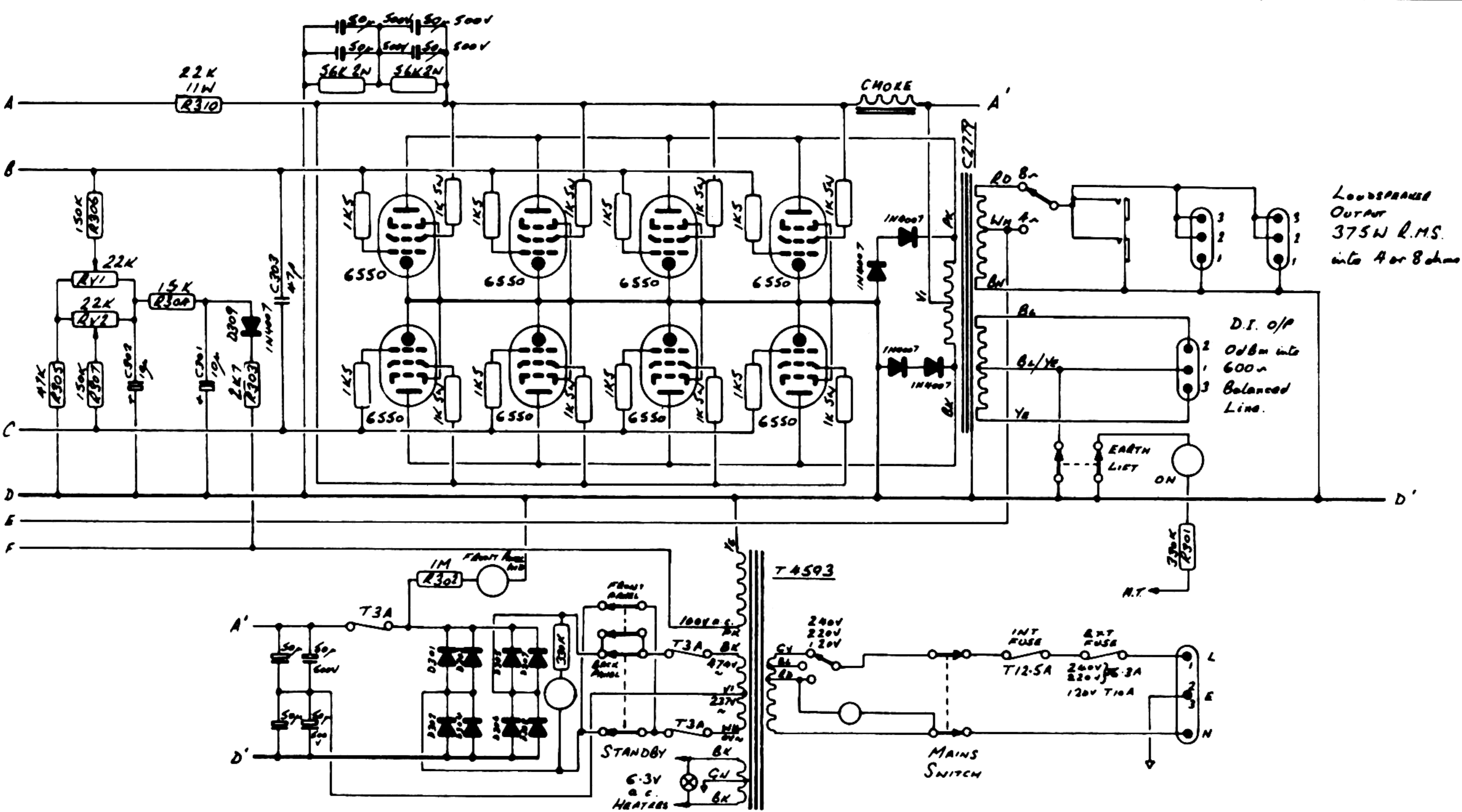
Marshall JCM 800 Series Model 2001 375W BASS AMP - PREAMP CIRCUIT DIAGRAM.



1	16-4-81	SG
2	30-6-86	RS

© T. Marshall Products Ltd. Bletchley, ENGLAND.

Marshall JCM 800 Series Model 2001 375W BASS AMP — PREAMP CIRCUIT DIAGRAM.



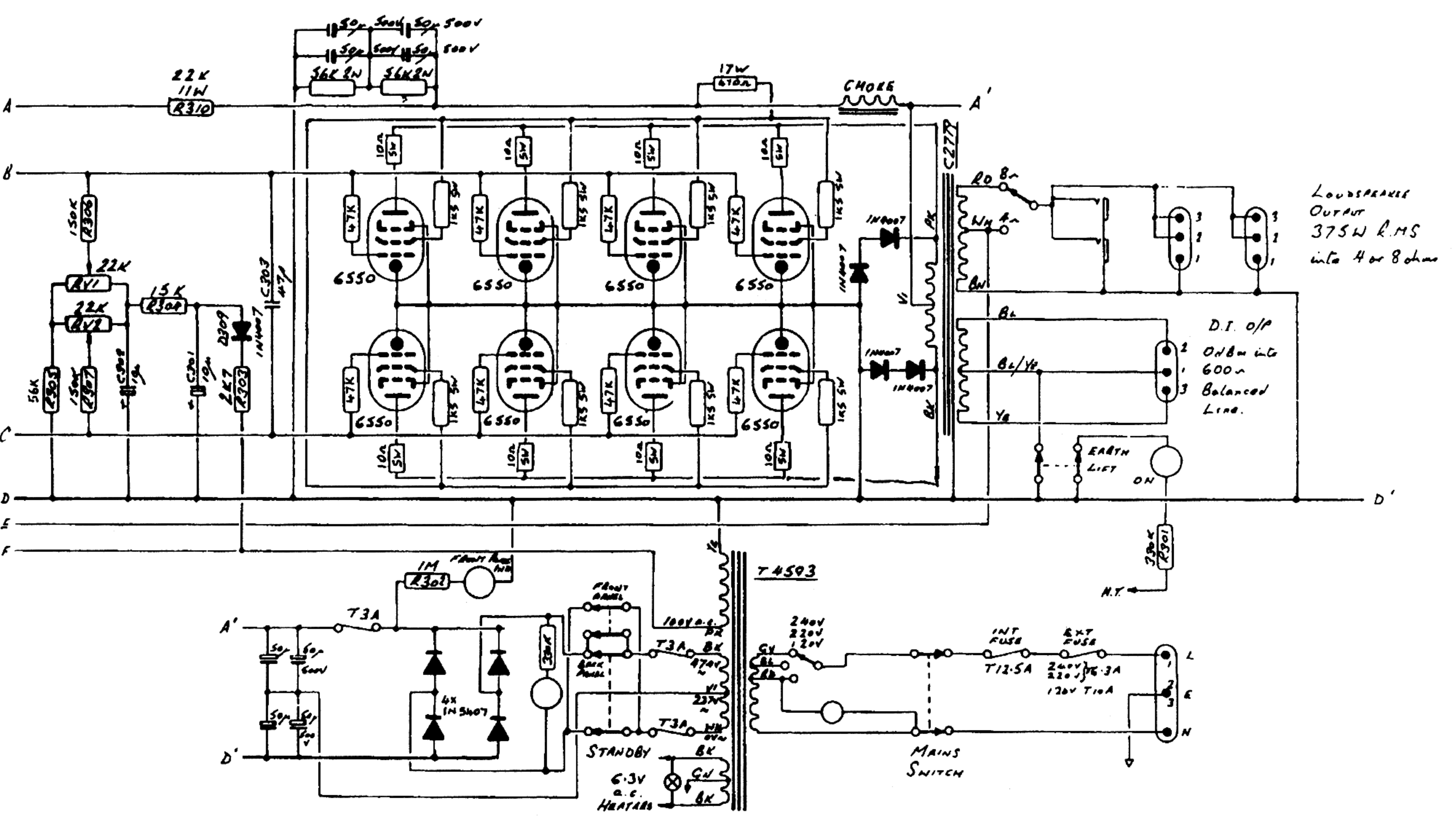
LOUDSPEAKER
OUTPUT
375W R.M.S.
into 4 or 8 ohms.

D.I. o/p
0dBm into
600Ω
Balanced
Line.

1	16-4-81	SG
2	25-9-81	SG

© T. M. Pedwell
Aldershot, Eng
ENGLAND

Marshall JCM 800 Series Model 2001 375W BASS AMP — POWER CIRCUIT DIAGRAM



LOUDSPEAKER
 Output
 375W R.M.S
 into 4 or 8 ohms

D.I. O/P
 0dBm into
 600Ω
 Balanced
 Line.

1	16-4-81	SG
2	25-9-81	SG
3	30-6-96	RS
© T.M. HALLINAN PRODUCTIONS LTD BIRD CROFT ENGLAND		

Marshall JCM 800 Series Model 2001 375W BASS AMP — POWER CIRCUIT DIAGRAM