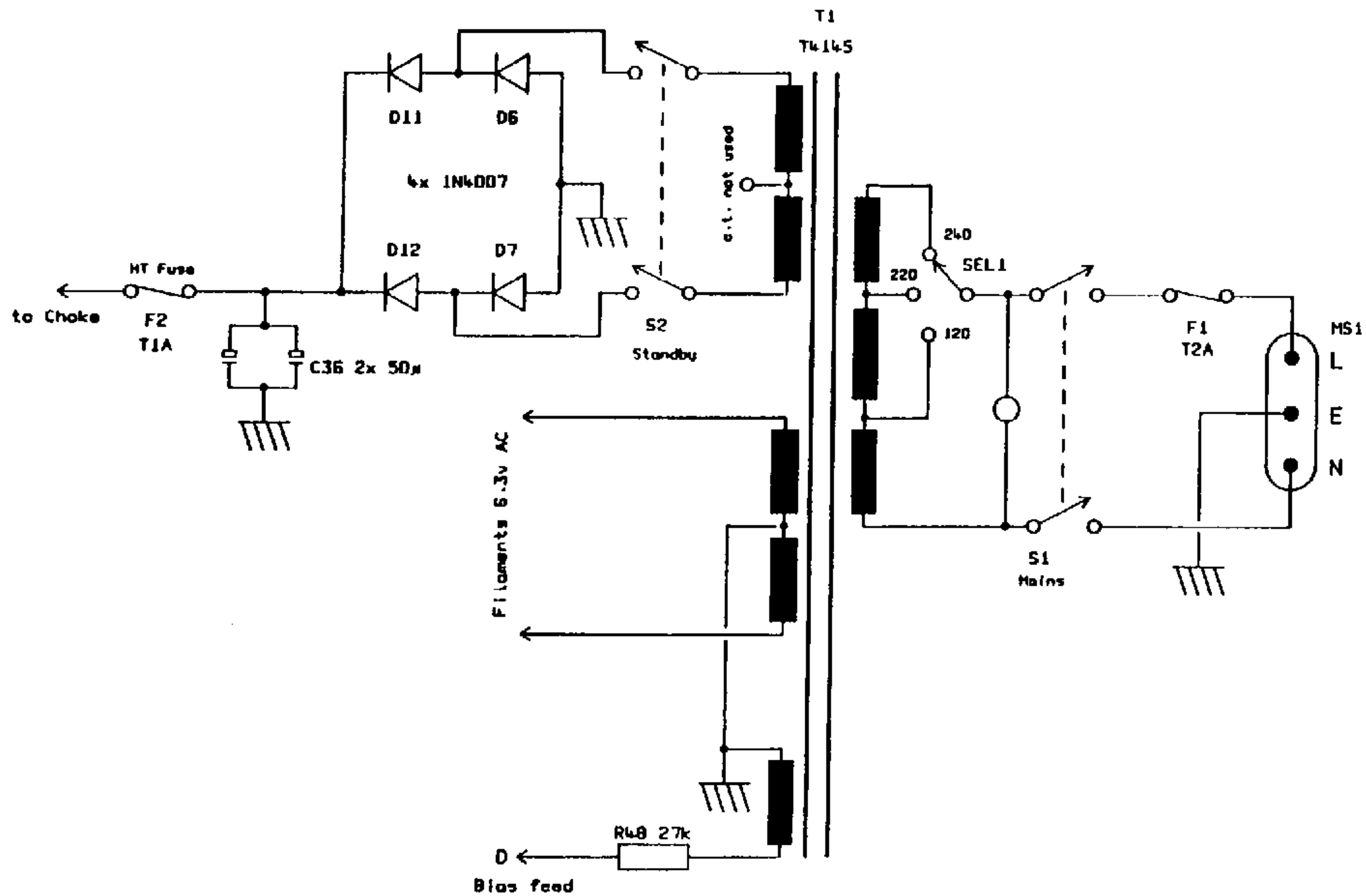


3	6-6-88	CPV
2	15/5/87	DF
1	23/2/87	ICE
ISS. DATE		DRN.
DRAWING NUMBER		
2555 STD		
MARSHALL		
JIM MARSHALL PRODUCTS LTD.		
BLETCHLEY MILTON KEYNES ENGLAND		
File: 2555.DGM		



NOTES

2	6-6-88	CPV
ISS.	DATE	DRN.

2555 STD
PSU

MARSHALL

JIM MARSHALL
PRODUCTS LTD.
BLETCHLEY
MILTON KEYNES
ENGLAND
File: 2555PSU.081

