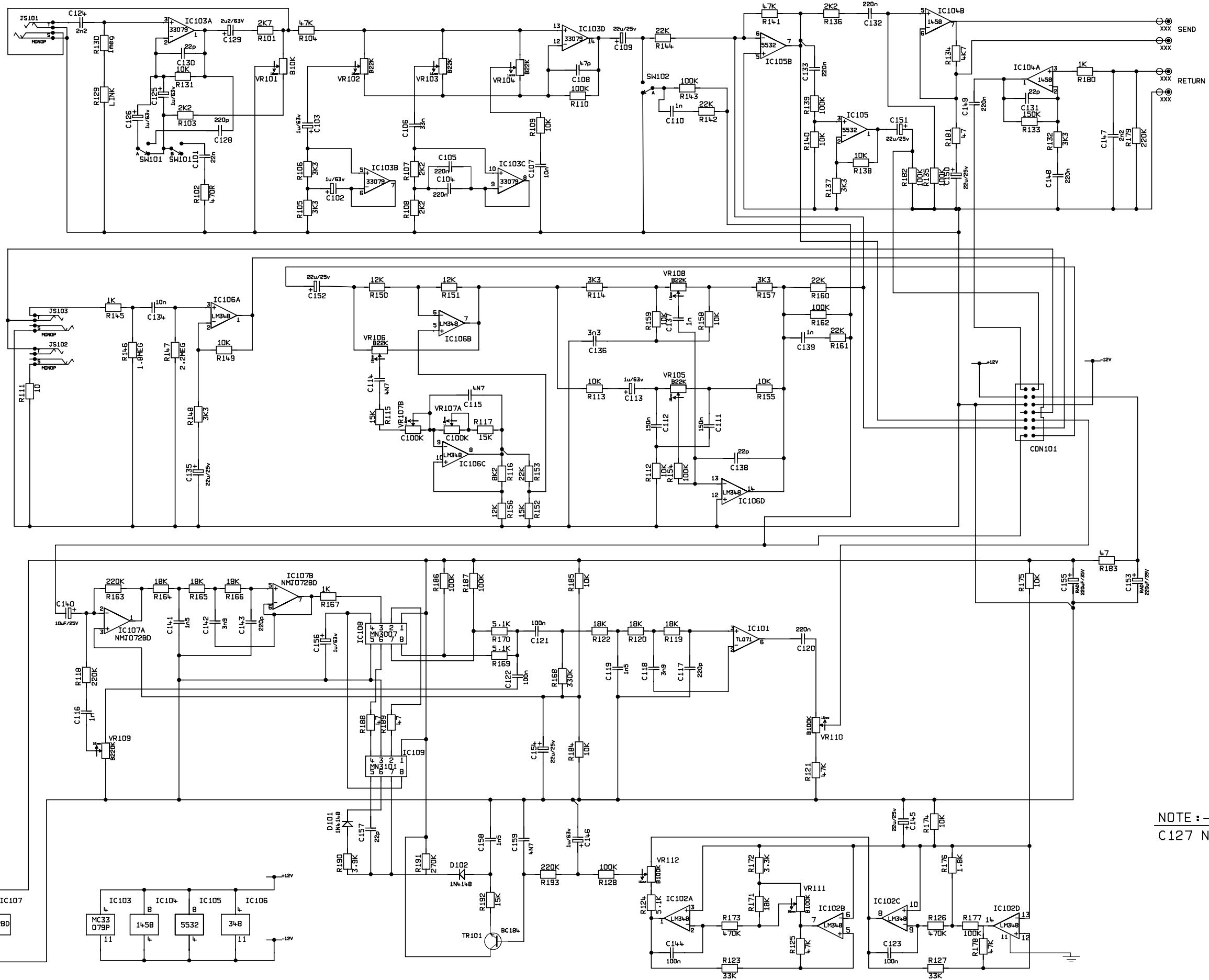


DWG. No. AS80-62-02



NOTE :-
C127 NOT FITTED

3	0826	09-01-95
2	0654	01-06-94
1	0614	19-05-94
ISS	ECO NUMBER	DATE

ALL OTHER HOLES =		X = (THROUGH PLATED)	
A	E	J	N
B	F	K	P
C	G	L	Q
D	H	M	R

MATERIAL	
MATERIAL THICKNESS	DRAWN S.G.
CHECKED	DATE 10-1-94
APPROVED	DATE

DIMENSIONS IN	
TOLERANCE (UNLESS OTHERWISE STATED)	
MODEL	AS80R

Marshall
 © JIM MARSHALL (PRODUCTS) LTD.
 DENBIGH ROAD, BLETCHLEY, MILTON KEYNES, MK1 1DQ.
 TEL (0908)375411 FAX (0908)376118

TITLE		PRE AMP LOWER CCT
DWG.No	AS80-62-02	ISS 3