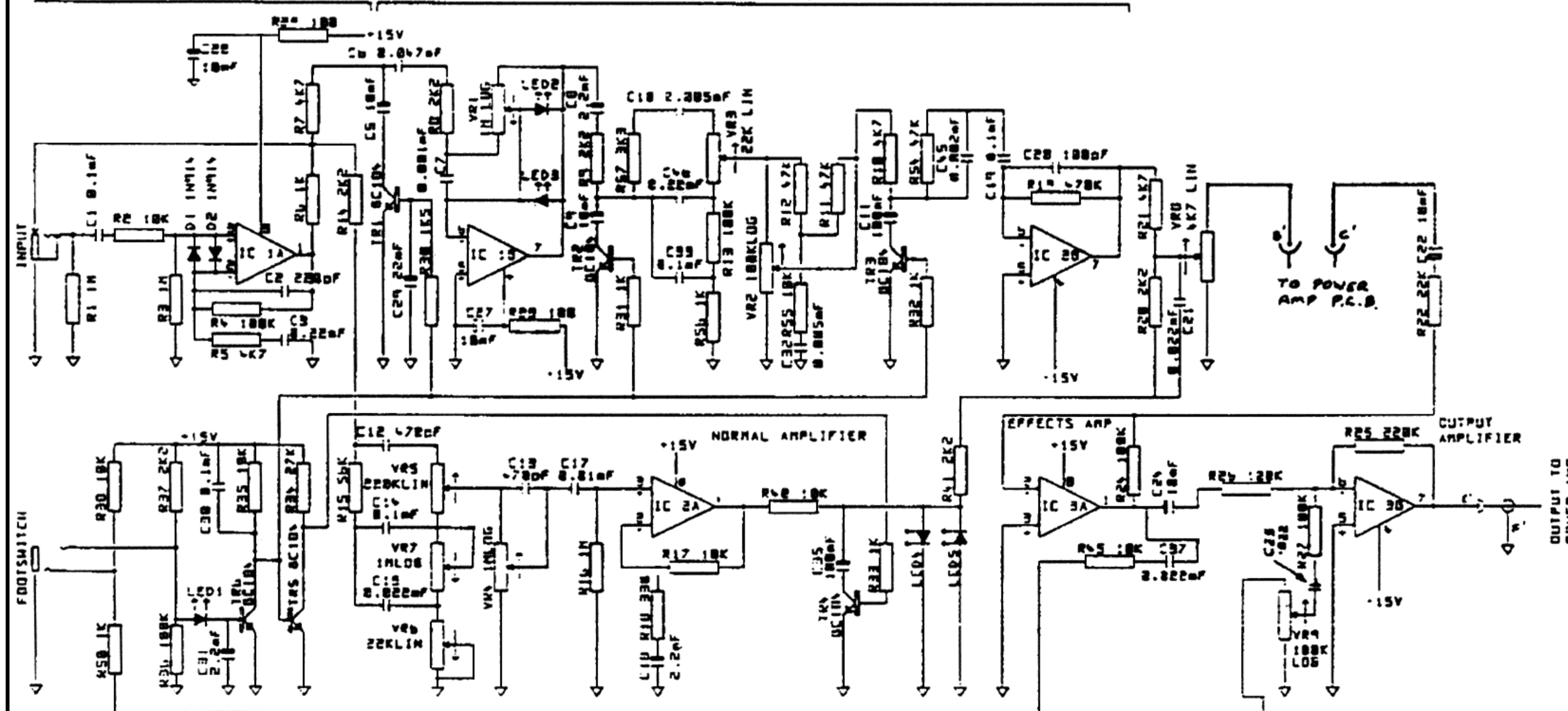


INPUT AMPLIFIER

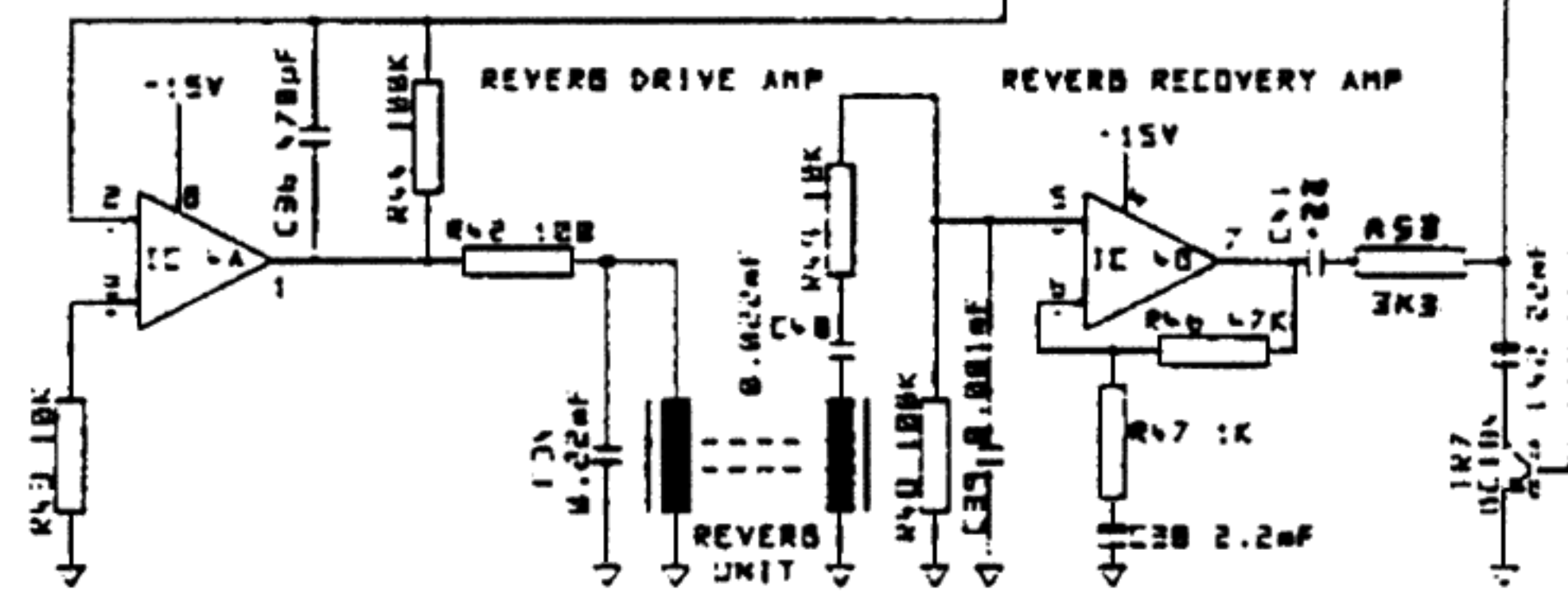
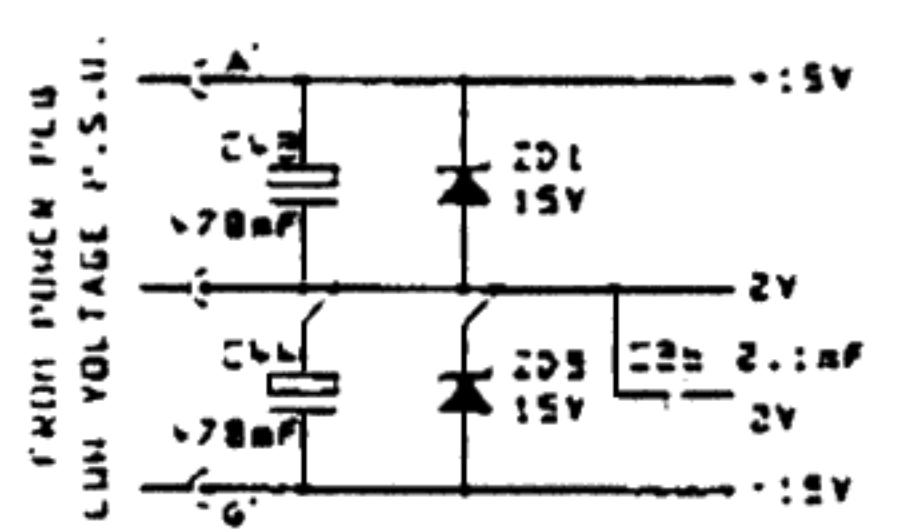
BOOST AMPLIFIER

NOTES

1. P.C.B. IN 99 HAS D
2.  $\mu$ F denotes Microfarads
3. All capacitors in microfarads unless otherwise stated.
4. All resistors 1/4 watt.
5. IC's 7458 or equiv.



CHANNEL X REVERB SWITCHING



DRAWING NUMBER

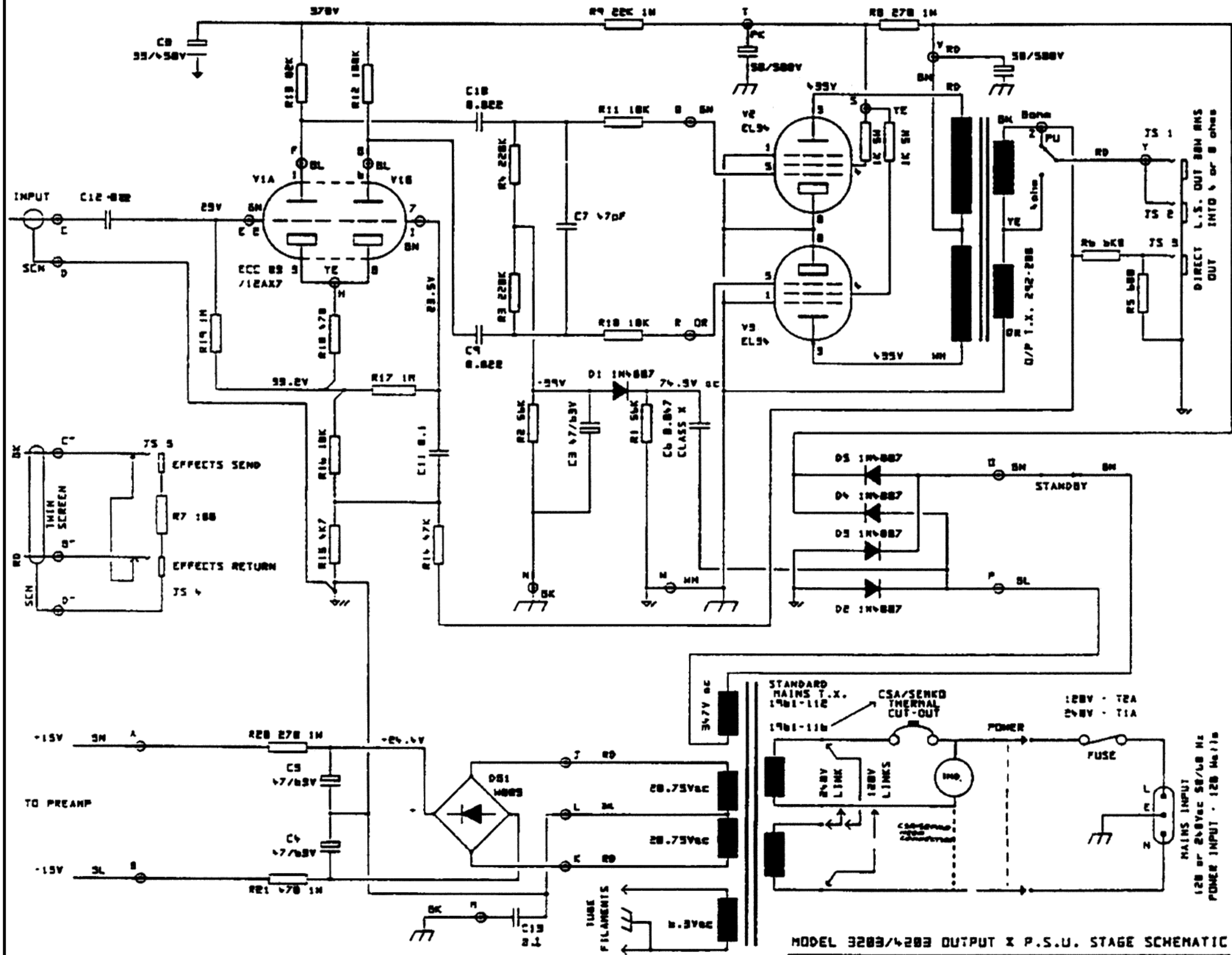
12032

4		
3		
2	11-6-96	R.S.
1	23-1-88	S.B.
ISS. DATE		DRW.

MARSHALL

JIM MARSHALL PRODUCTS LTD  
 DENBIGH ROAD  
 BLETCHLEY  
 MILTON KEYNES  
 MK1 1DB  
 ENGLAND





- NOTES**
1. RESISTORS 1/4W UNLESS STATED.
  2. CAPACITORS MicroFARAD UNLESS STATED.
  3. VOLTAGES NO SIGNAL CONDITION, & TYPICAL.

2	11-6-86	R.S.
1	19-2-86	S.G.
ISS. DATE		DRN.

DRAWING NUMBER

JM 100 CT

**MARSHALL**

JIM MARSHALL  
PRODUCTS LTD.  
BLETCHLEY  
MILTON KEYNES  
ENGLAND

MODEL 3203/4203 OUTPUT X P.S.U. STAGE SCHEMATIC