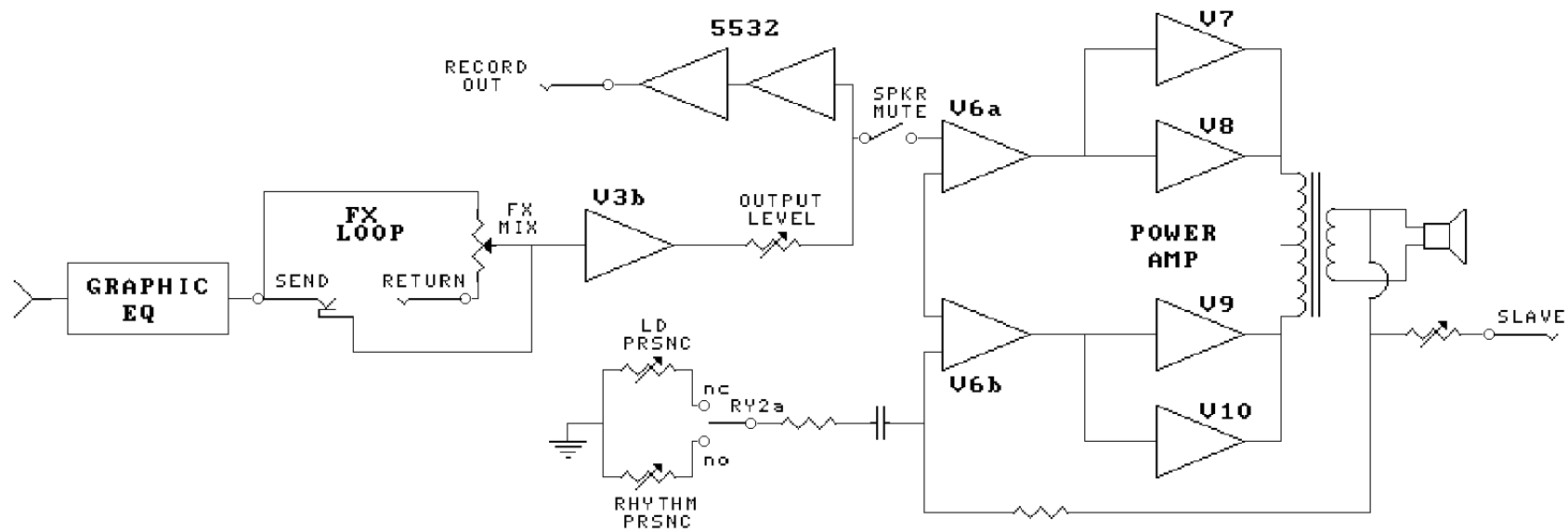
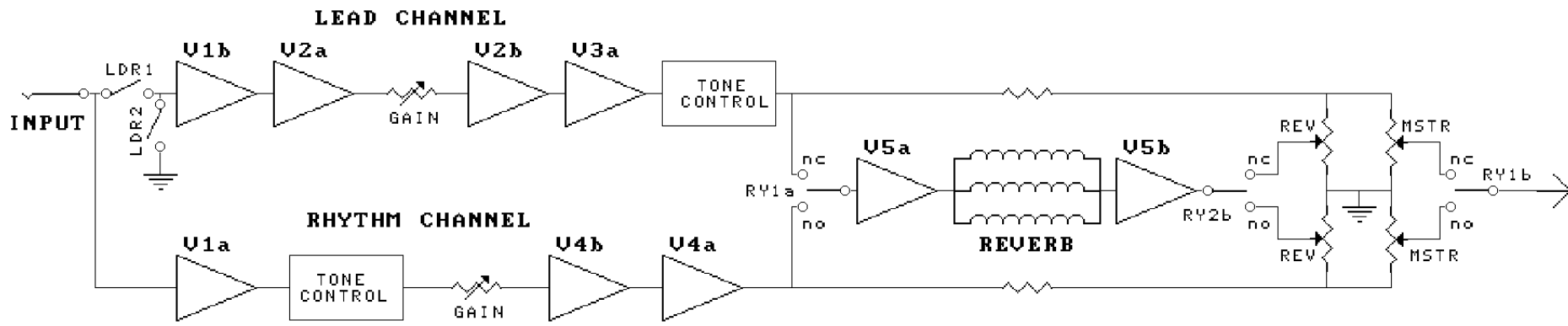


MESA/BOOGIE[®]

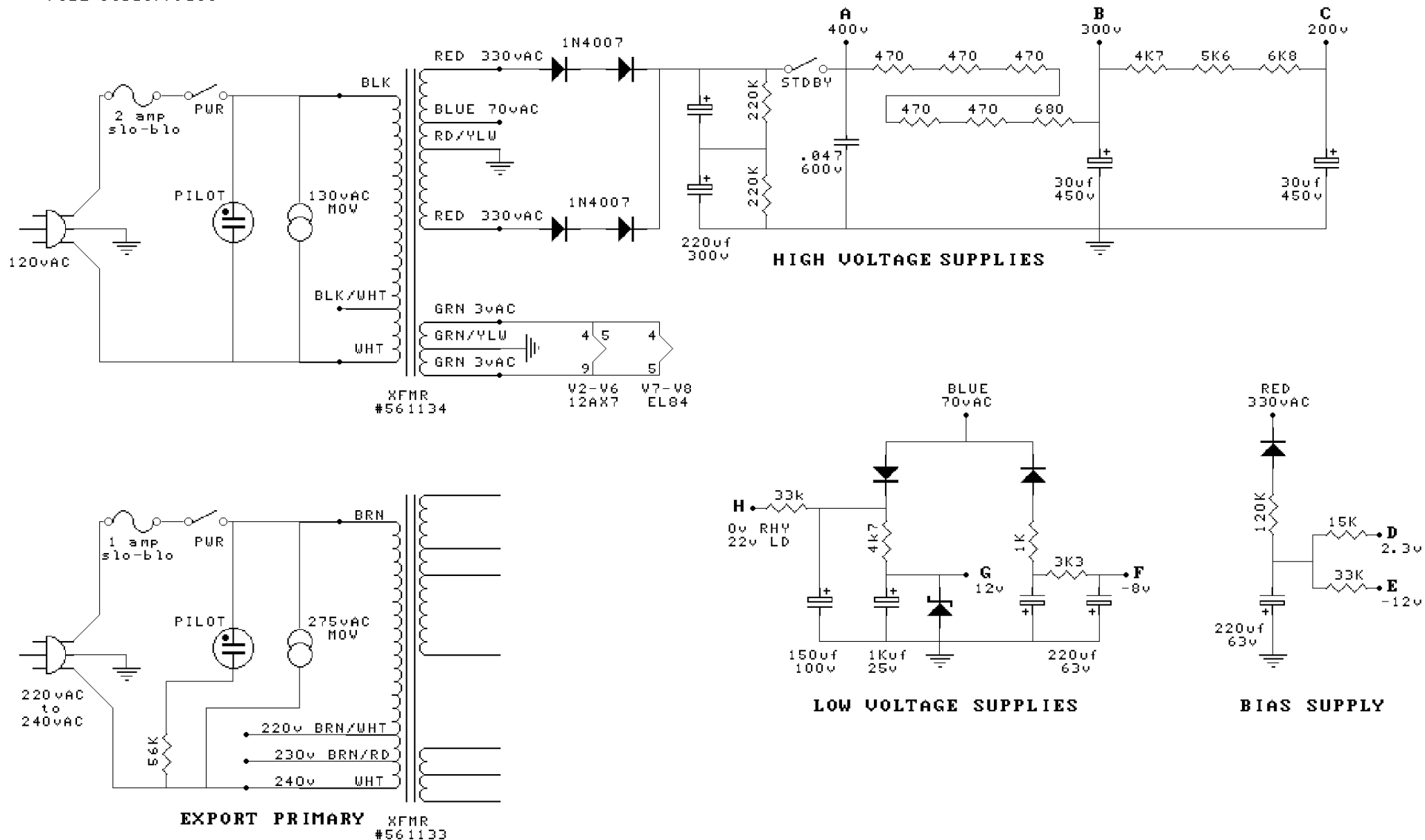
DC-3

MESA-BOOGIE
 DC-3
 BLOCK DIAGRAM
 FILE DC3BLOCK.S01



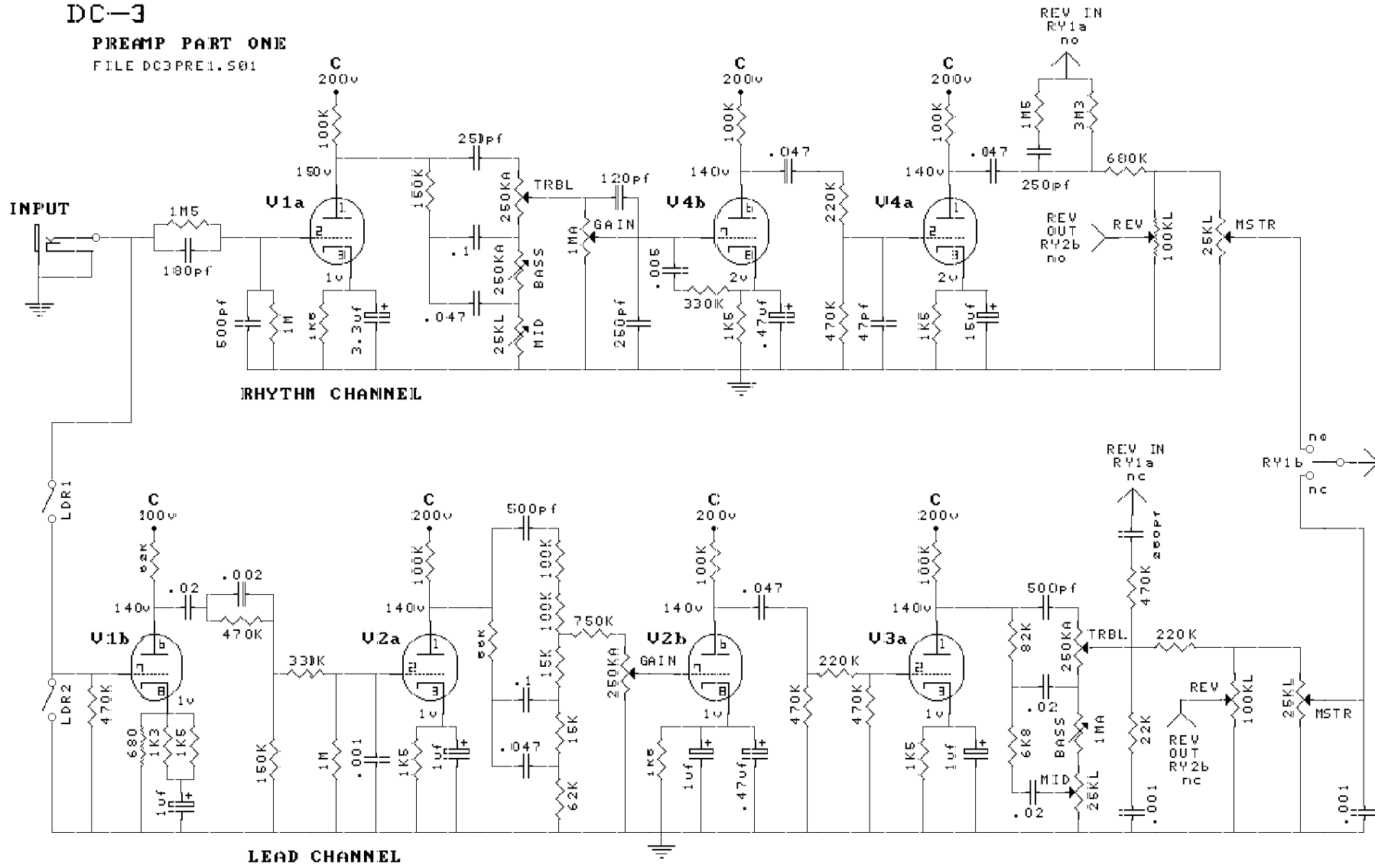
MESA-BOOGIE DC-3

POWER SUPPLIES
FILE DC3SUPP.S01



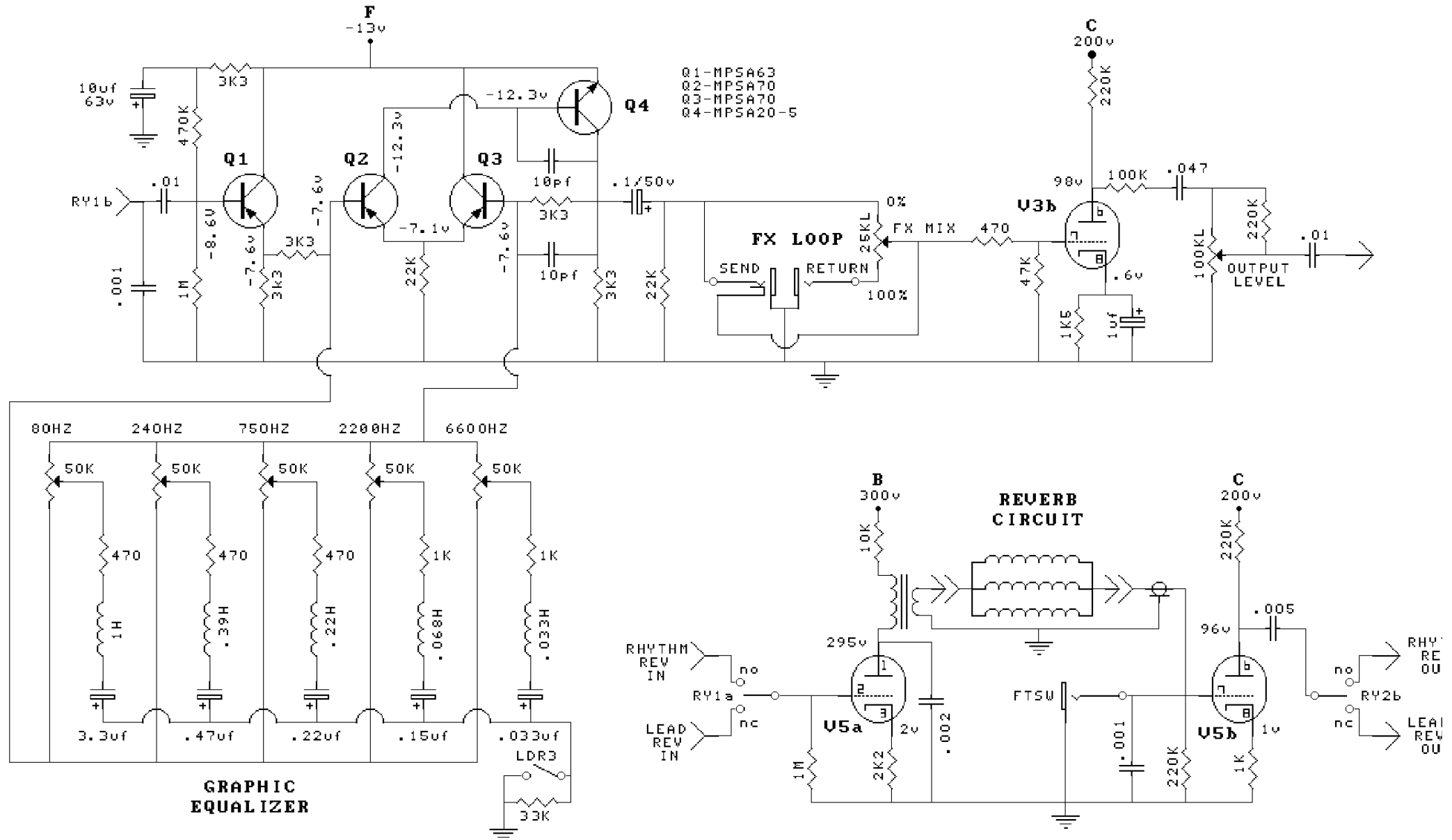
MESA-BOOGIE DC-3

PREAMP PART ONE
FILE DC3PRE1.S01



MESA-BOOGIE DC-3

PREAMP PART 2
FILE DC3PRE2.S01

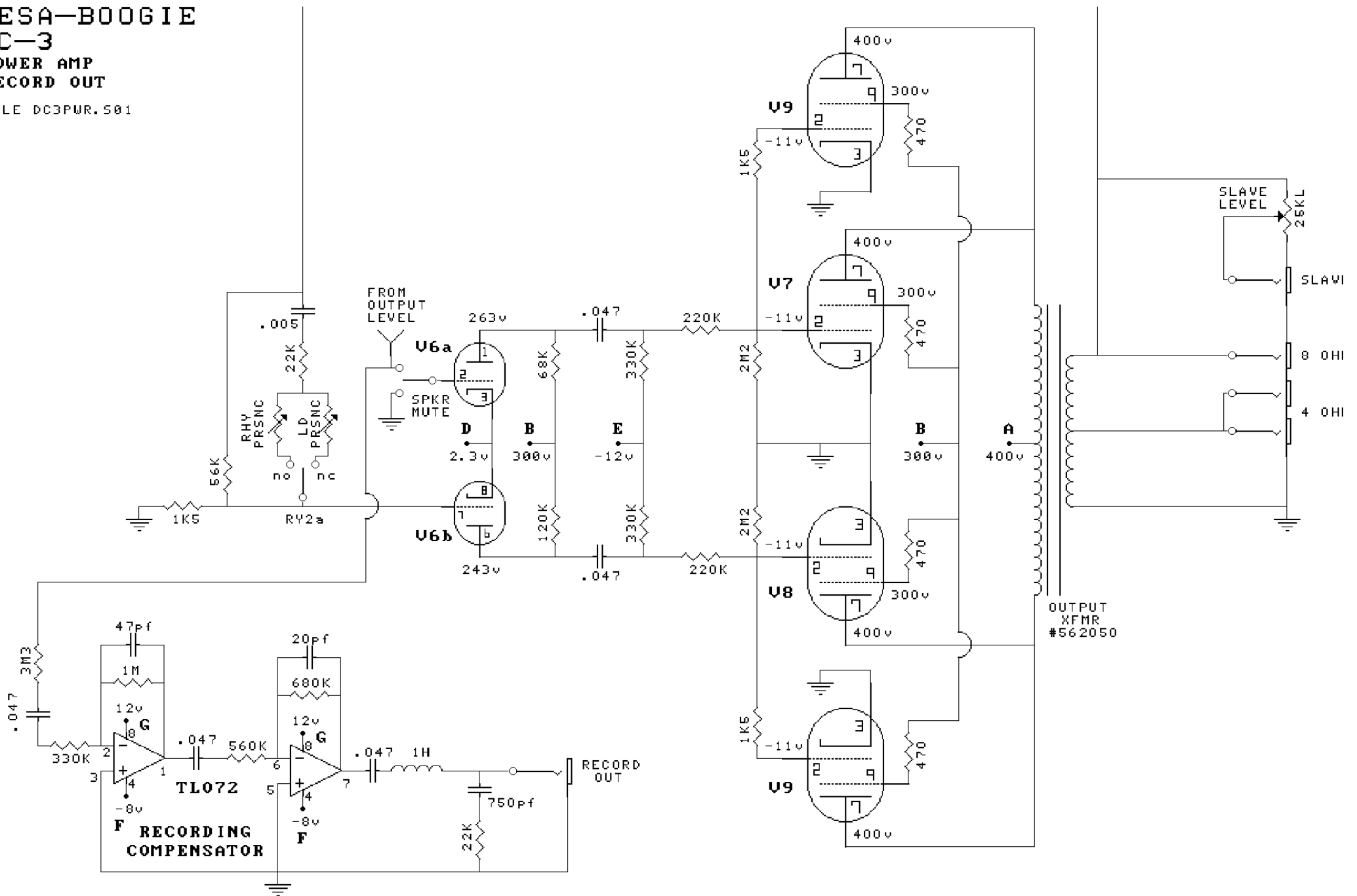


MESA-BOOGIE

DC-3

POWER AMP
RECORD OUT

FILE DC3PMR.S01



MESA-BOOGIE
 DC-3
 SWITCHING MATRIX
 FILE DC3SM.S01

