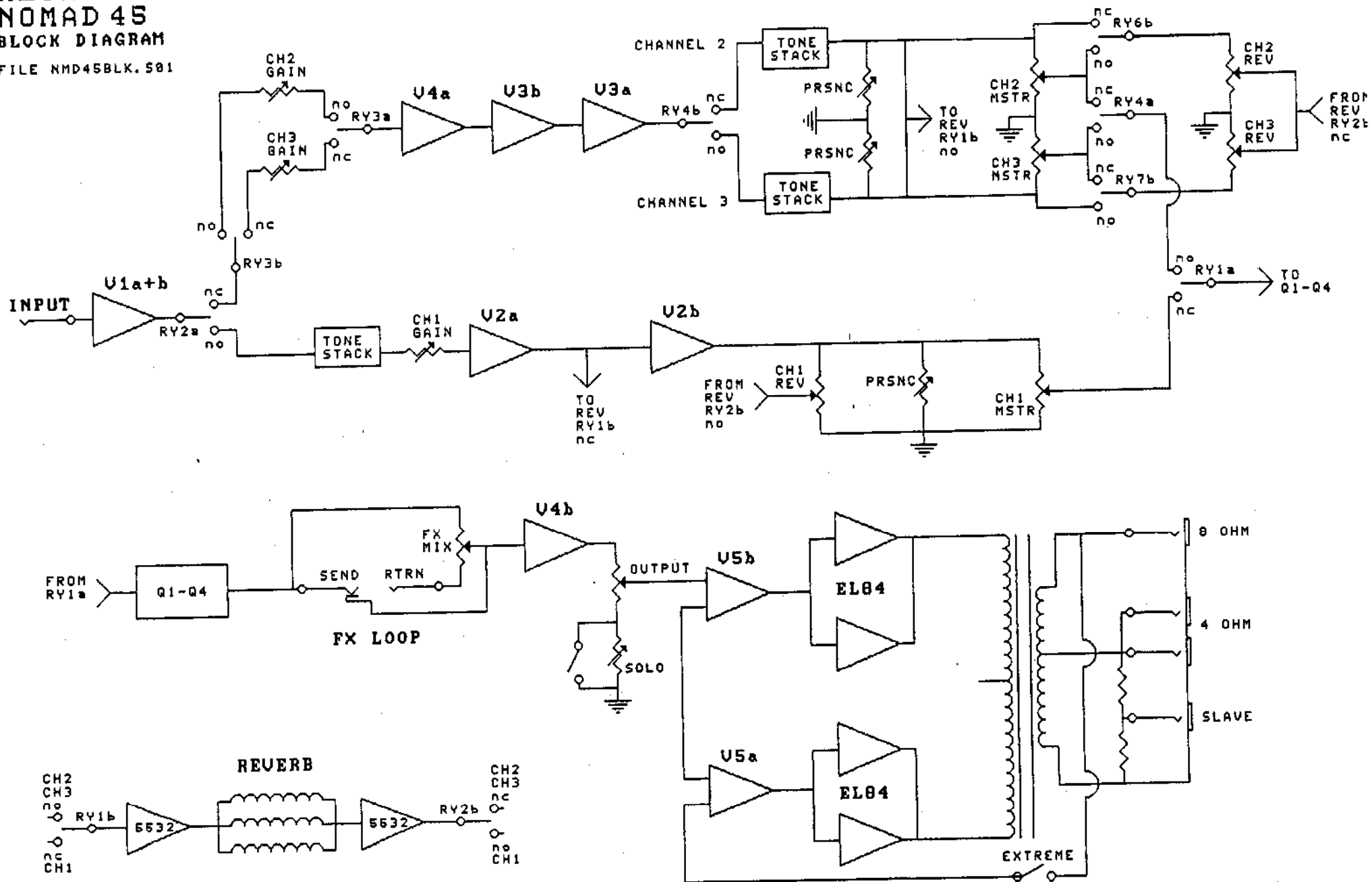
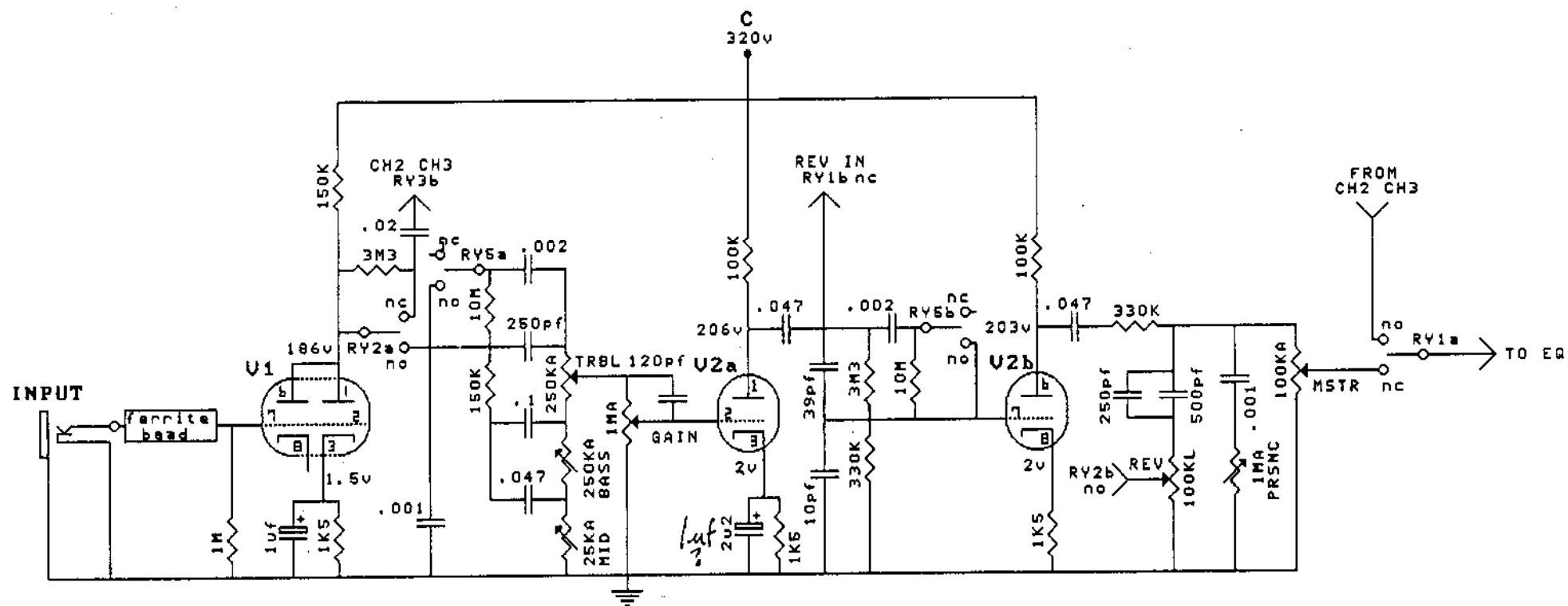


MESA-BOOGIE NOMAD 45

BLOCK DIAGRAM
FILE NMD45BLK.501

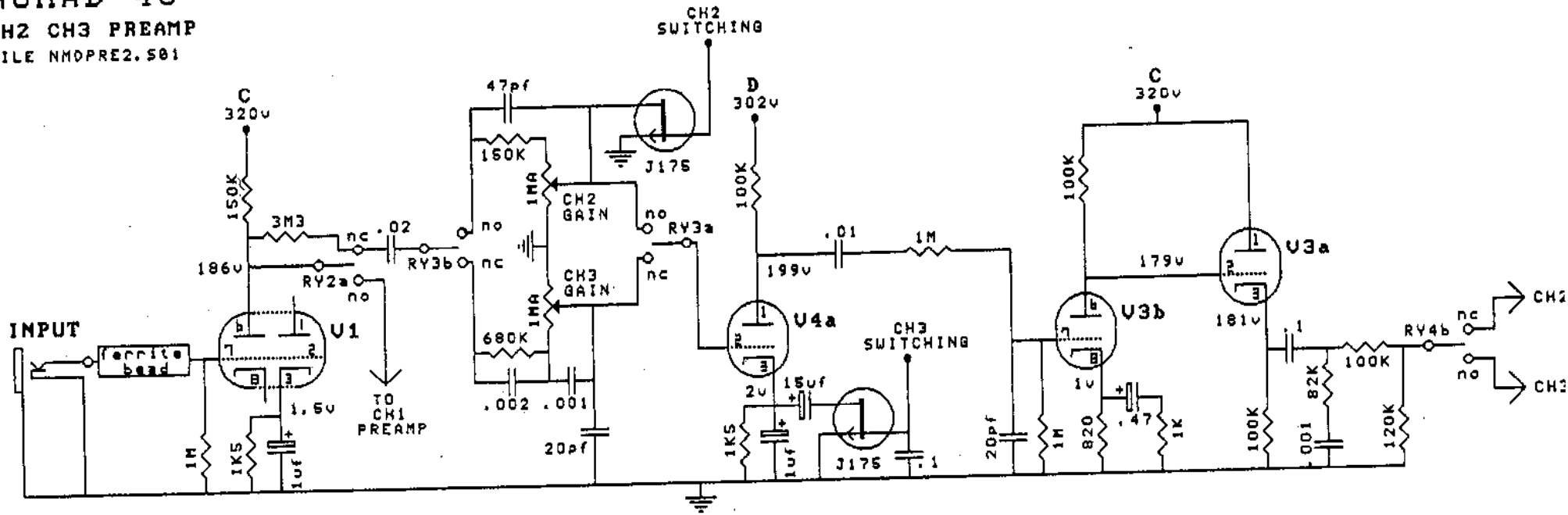


MESA-BOOGIE
NOMAD 45
CHANNEL 1 PREAMP
FILE NMDPRE1.501



MESA-BOOGIE NOMAD 45

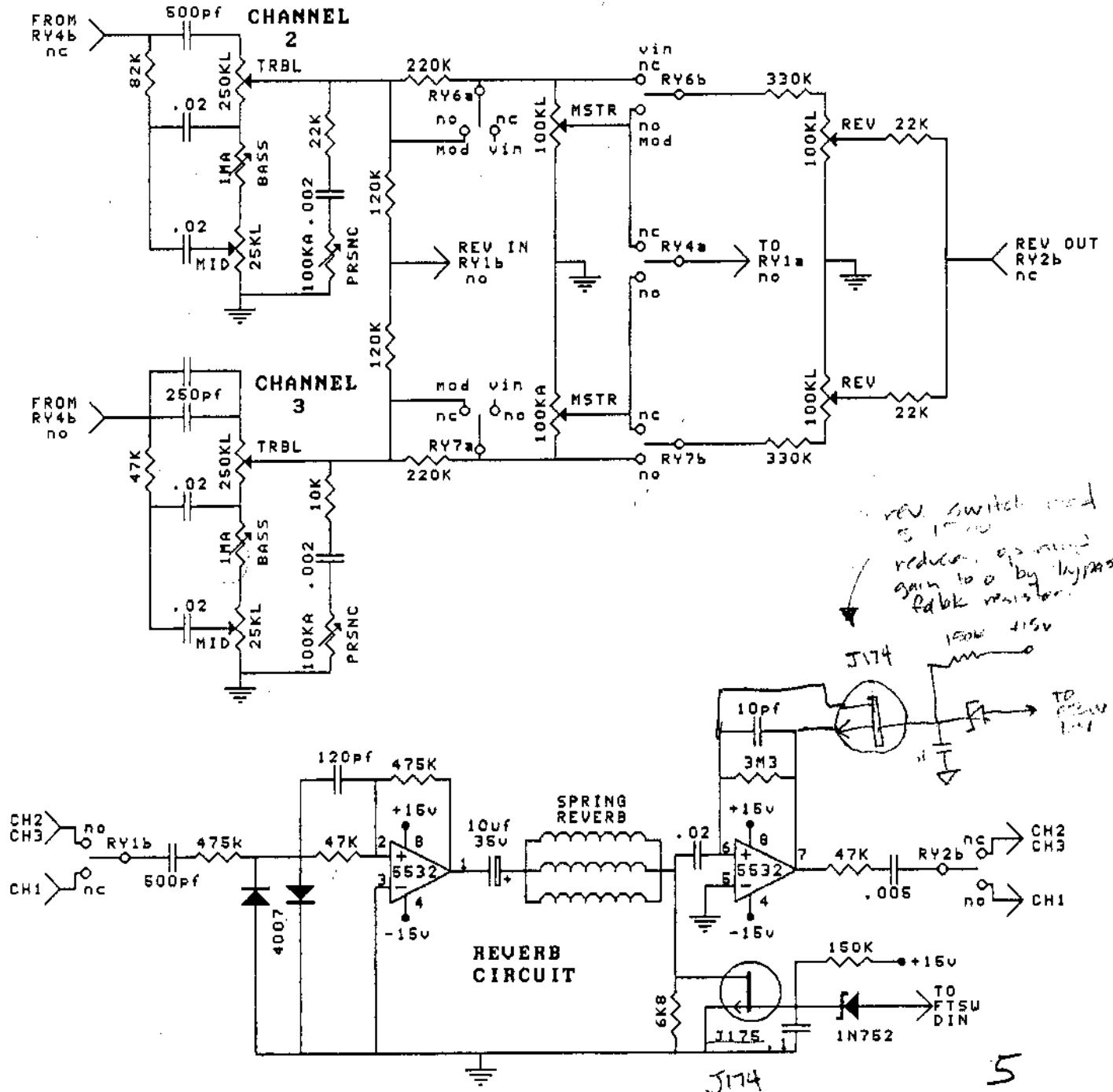
CH2 CH3 PREAMP
FILE NMOPRE2.S01



RY3
CH1 - on
CH2 - on
CH3 - off

MESA-BOOGIE
 NOMAD
 CH2 CH3 PREAMP PT2
 REVERB

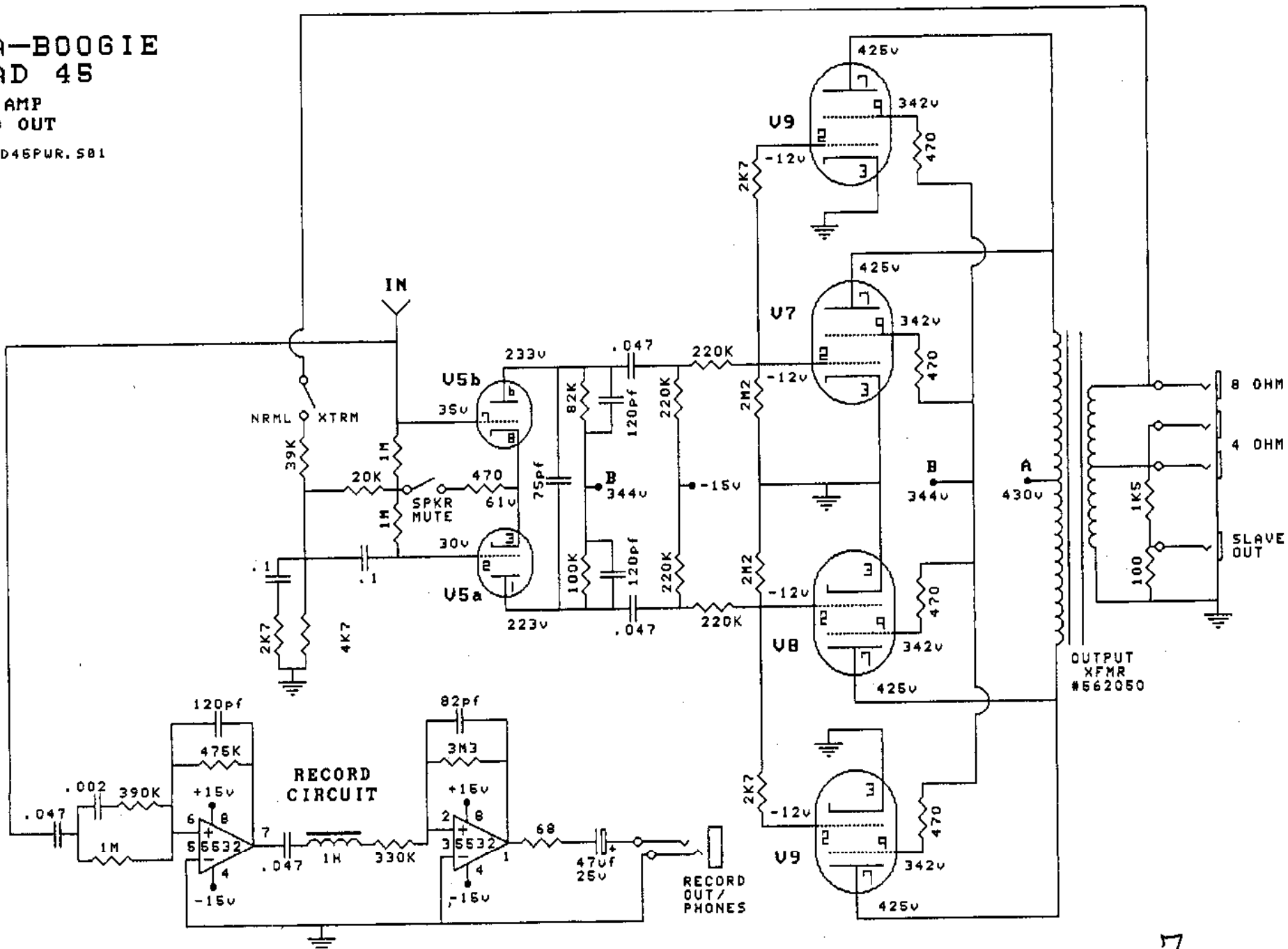
FILE NMDPRE3.S01



MESA-BOOGIE
NOMAD 45

POWER AMP
RECORD OUT

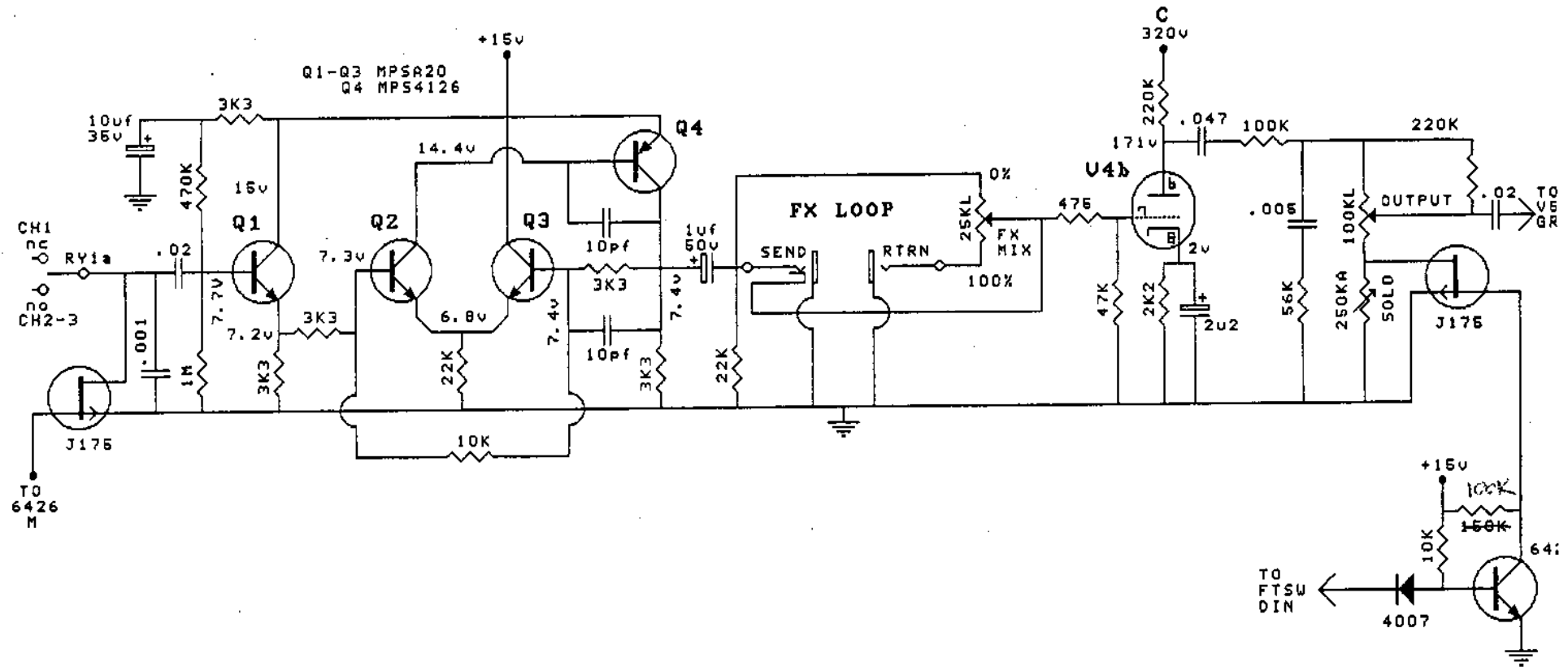
FILE NMD46PUR.S01



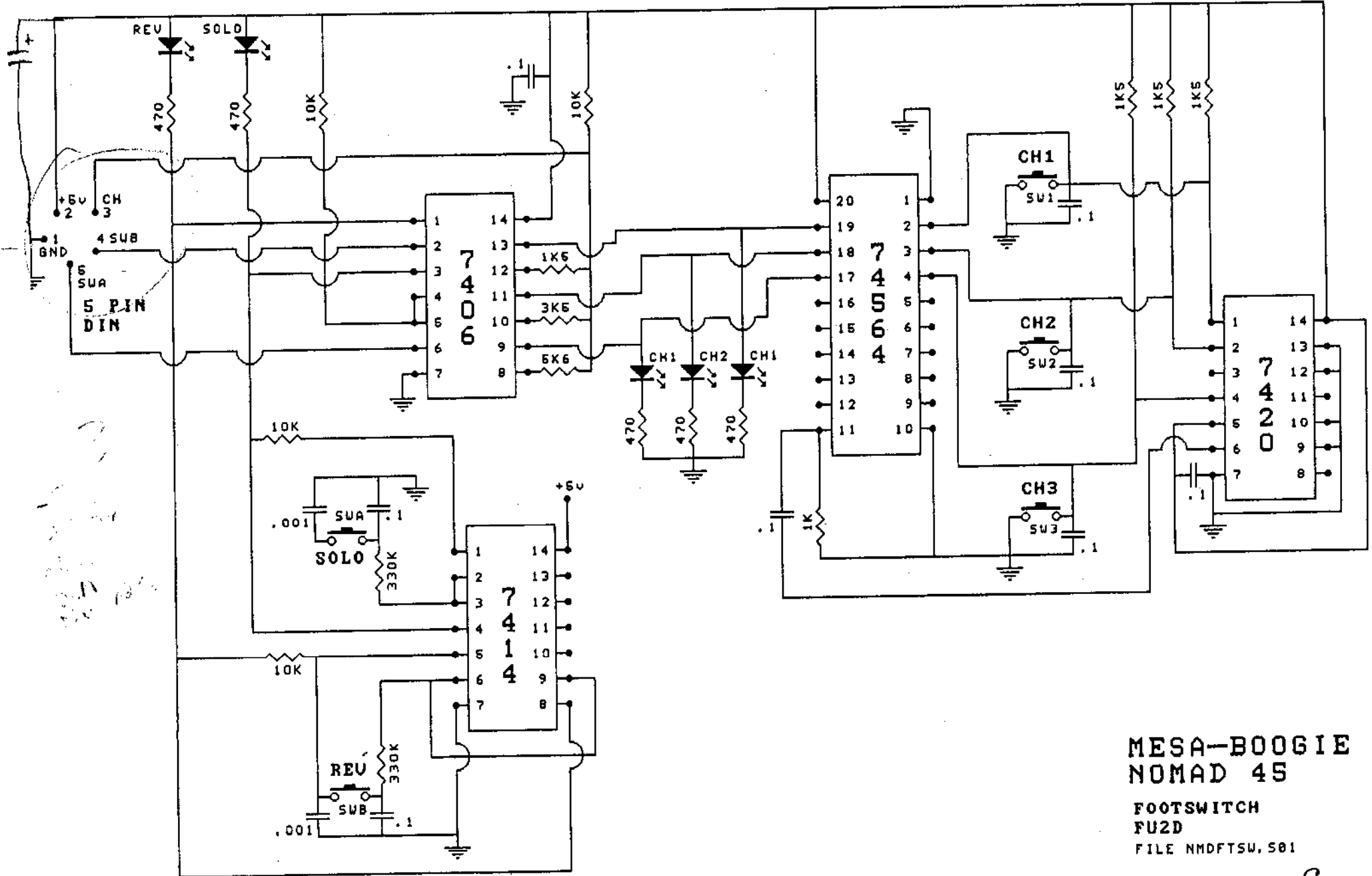
MESA-BOOGIE NOMAD 45

FX LOOP

FILE NMDPRE4.501

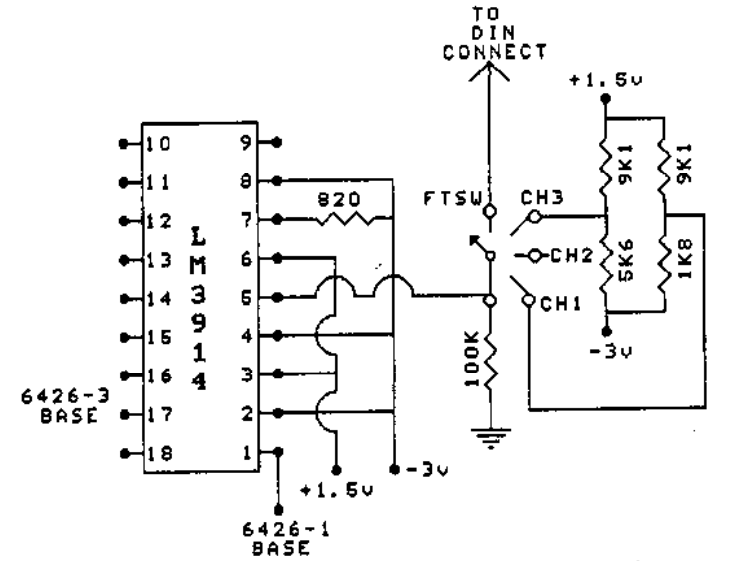
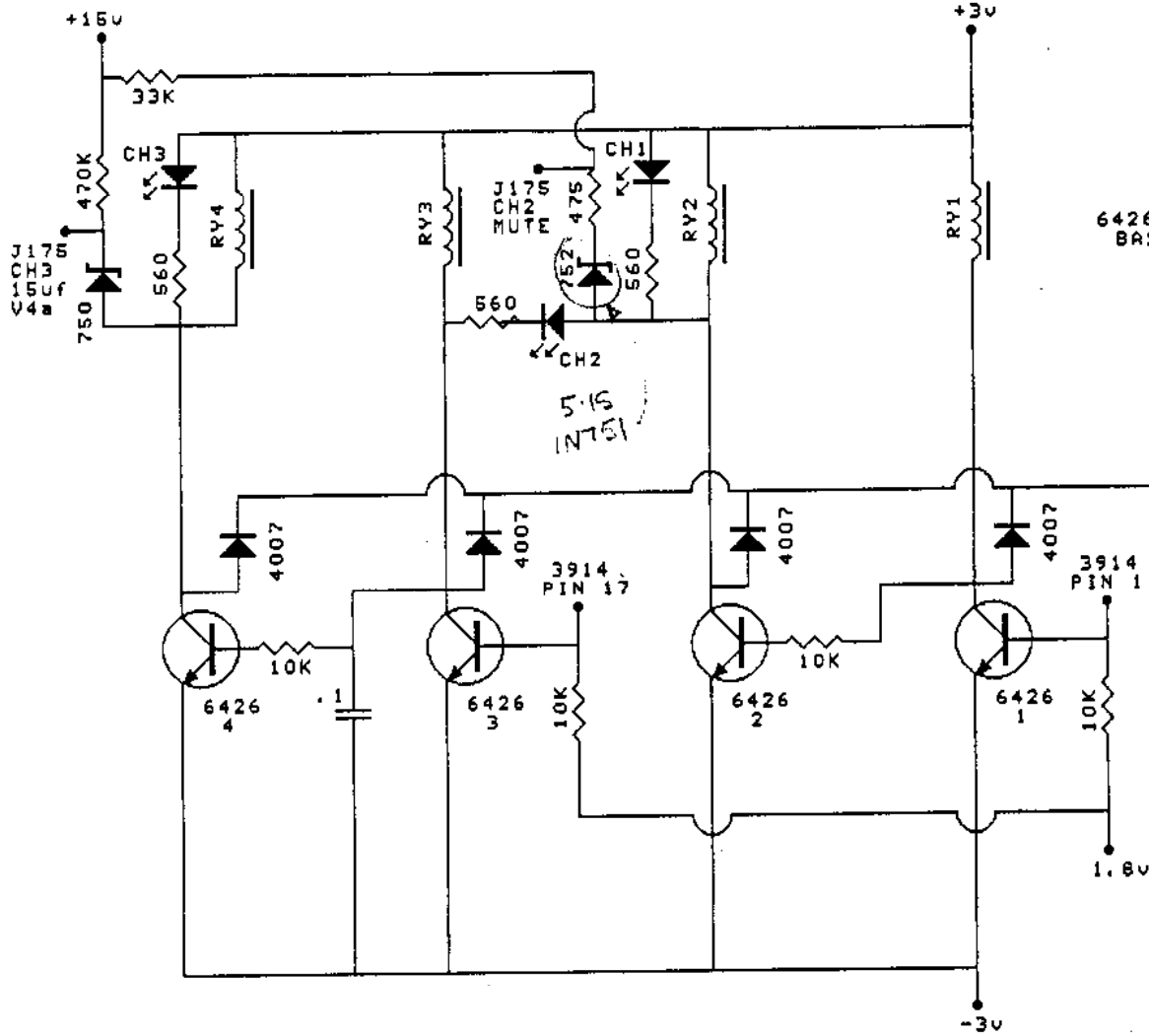


10/64



MESA-BOOGIE
NOMAD 45
FOOTSWITCH
FU2D
FILE NMDFTSU, S01

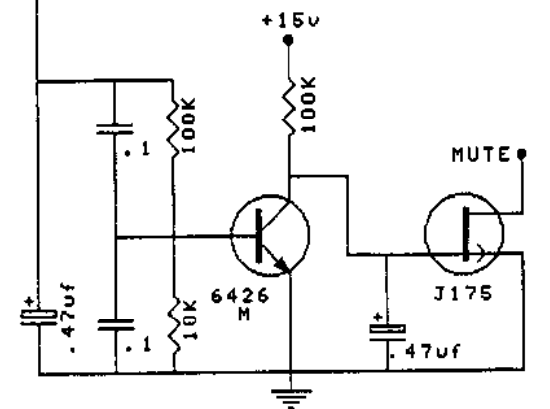
**MESA-BOOGIE
NOMAD 45
SWITCHING MATRIX
FILE NMDSU.501.**



LM3914 Pin 5 Voltages

	FTSU	ROTARY
CH1	-2.6V	-2.6V
CH2	1.3V	0V
CH3	-1.6V	-1.4V

MUTE CIRCUITRY
PATENT PENDING



MESA-BOOGIE NOMAD 45

POWER SUPPLIES

FILE NMDSUPP.S01

