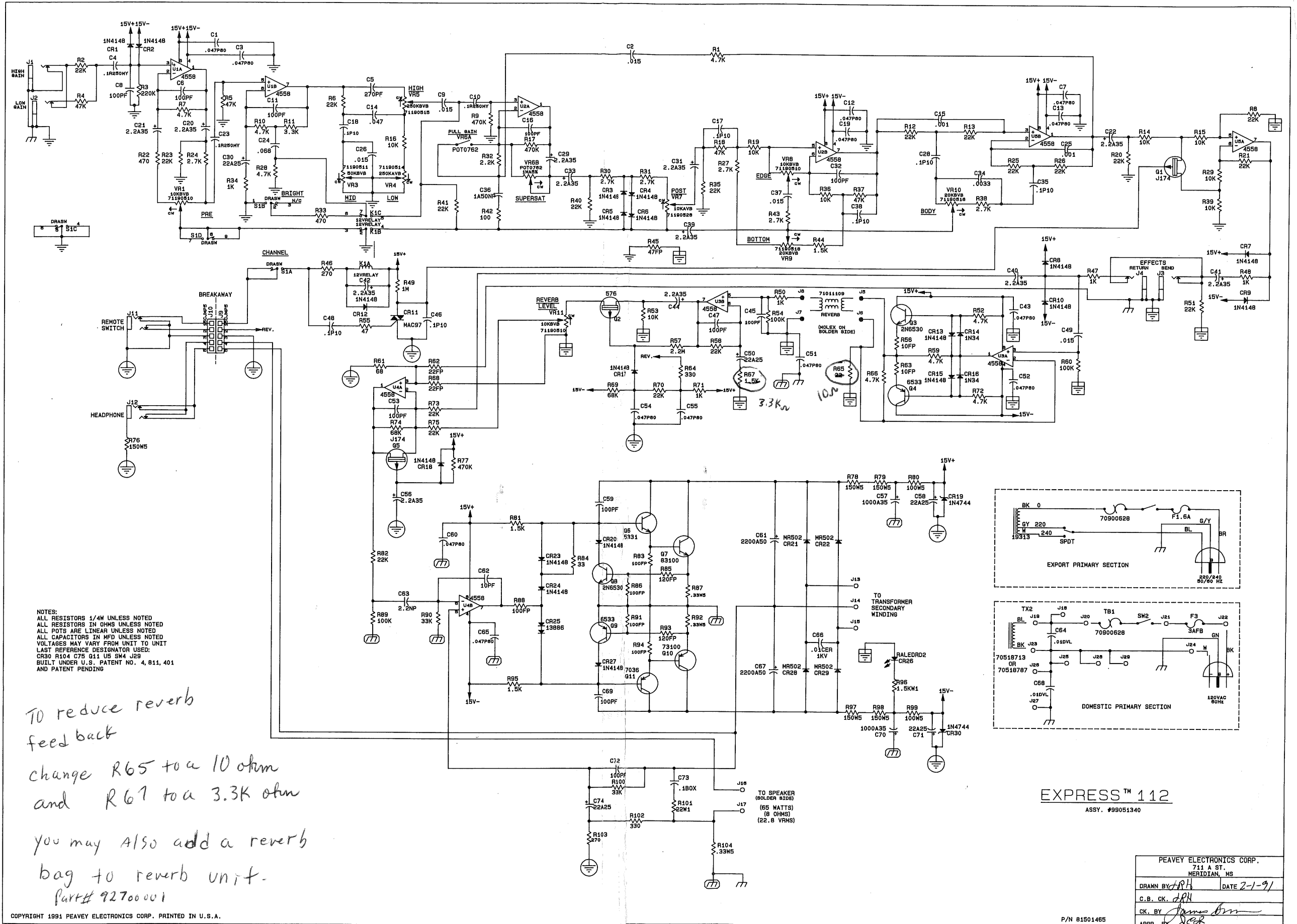


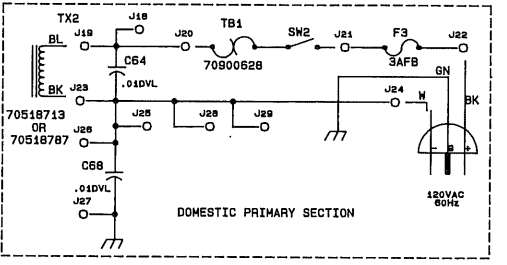
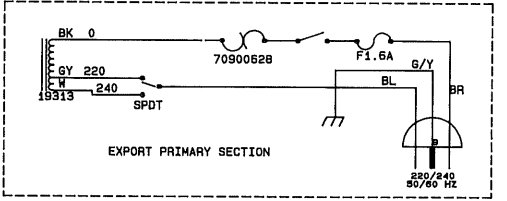
Express 112

PERVEY ELECTRONICS CORP.
STUDIO PRO 112
EXPRESS 112
COPYRIGHT 1988
98821345
PA-VI-U
RACI



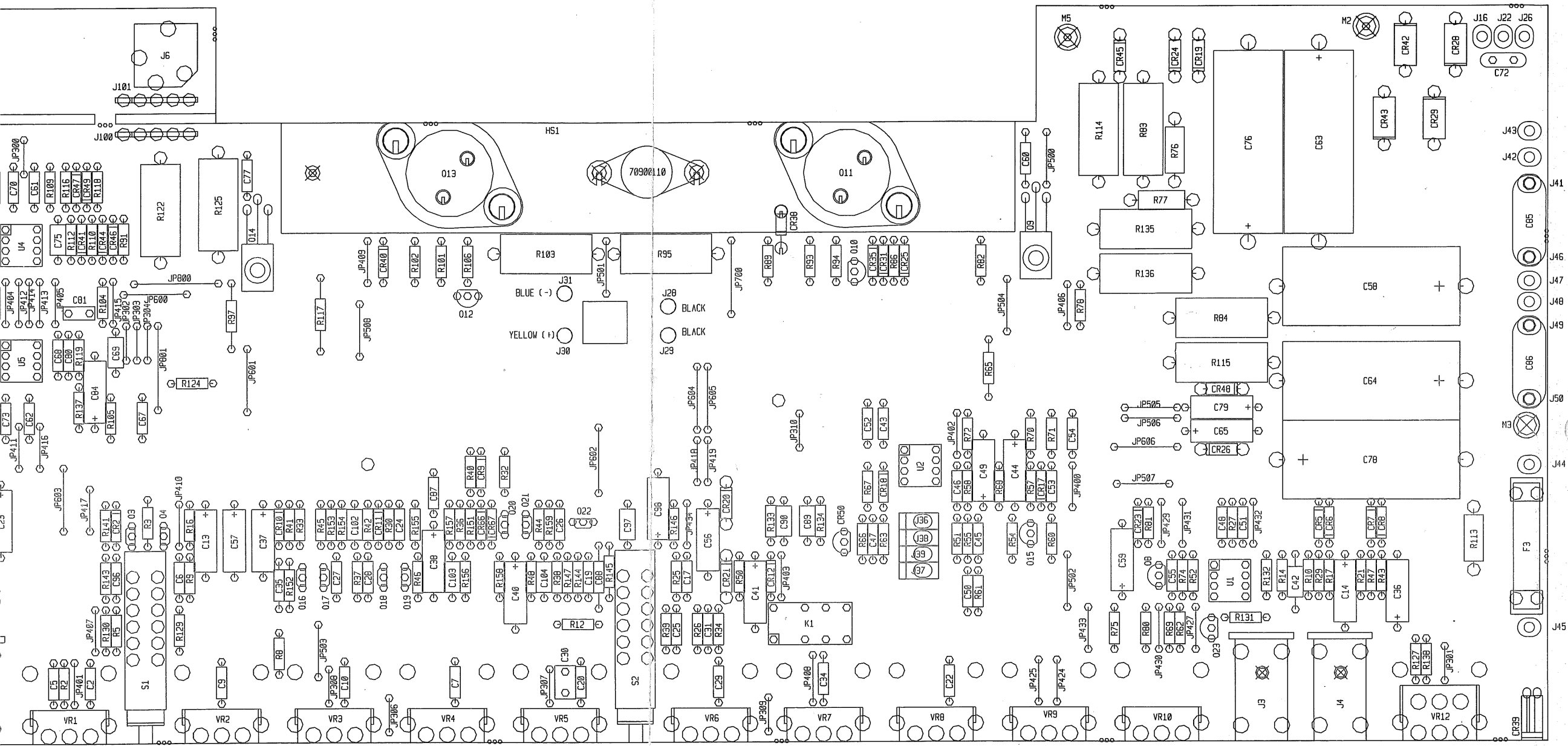
NOTES:
 ALL RESISTORS 1/4W UNLESS NOTED
 ALL RESISTORS IN OHMS UNLESS NOTED
 ALL POTS ARE LINEAR UNLESS NOTED
 ALL CAPACITORS IN MFD UNLESS NOTED
 VOLTAGES MAY VARY FROM UNIT TO UNIT
 LAST REFERENCE DESIGNATOR USED:
 CR30 R104 C75 Q11 U5 SW4 J29
 BUILT UNDER U.S. PATENT NO. 4,811,401
 AND PATENT PENDING

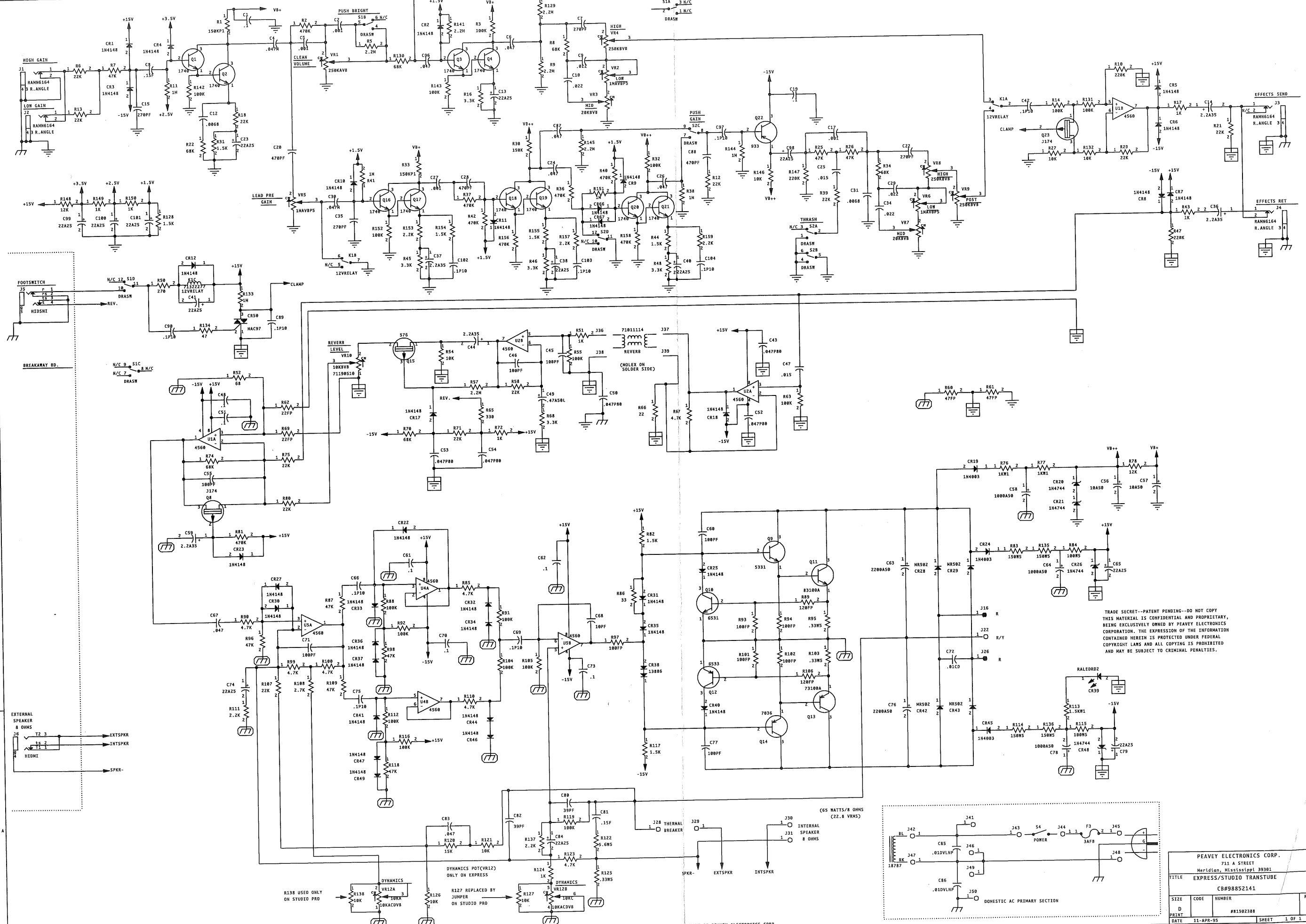
To reduce reverb
 feedback
 change R65 to a 10 ohm
 and R67 to a 3.3K ohm
 you may also add a reverb
 bag to reverb unit.
 part# 9270001



EXPRESS™ 112
 ASSY. #99051340

PEAVEY ELECTRONICS CORP. 711 A ST. MERIDIAN, MS	
DRAWN BY <i>DRH</i>	DATE 2-1-91
CK. BY <i>DRH</i>	
APPR. BY <i>[Signature]</i>	





TRADE SECRET--PATENT PENDING--DO NOT COPY
 THIS MATERIAL IS CONFIDENTIAL AND PROPRIETARY,
 BEING EXCLUSIVELY OWNED BY PEAVEY ELECTRONICS
 CORPORATION. THE EXPRESSION OF THE INFORMATION
 CONTAINED HEREIN IS PROTECTED UNDER FEDERAL
 COPYRIGHT LAWS AND ALL COPYING IS PROHIBITED
 AND MAY BE SUBJECT TO CRIMINAL PENALTIES.

PEAVEY ELECTRONICS CORP.			
711 A STREET			
MORNING, MISSISSIPPI 39301			
TITLE EXPRESS/STUDIO TRANSTUBE			
CB#98852141			
SIZE	CODE	NUMBER	REV
D		#1502388	
PRINT			
DATE	11-APR-95	SHEET	1 OF 1

