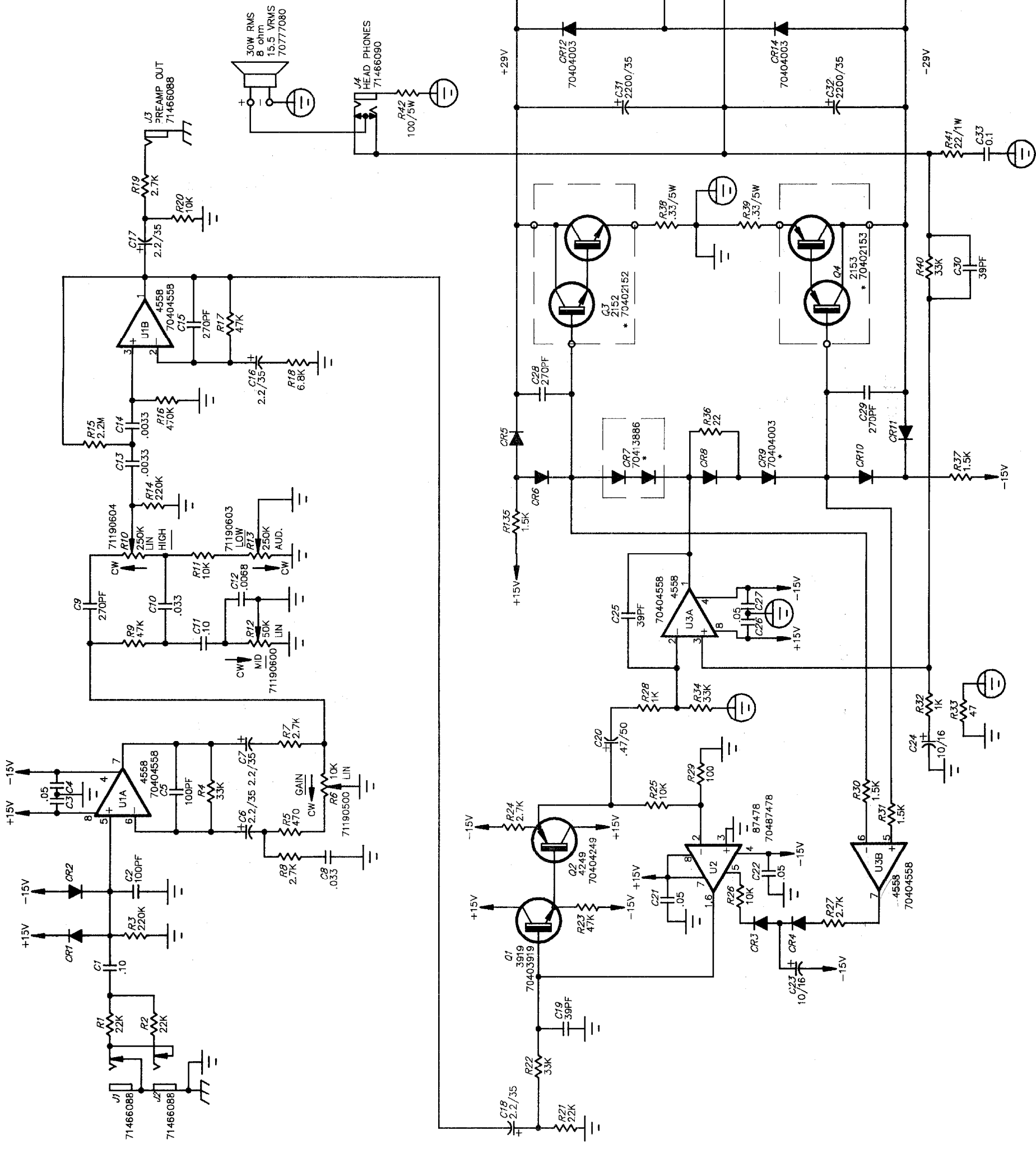
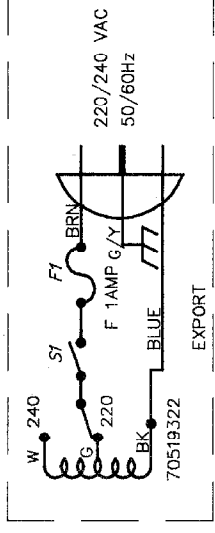


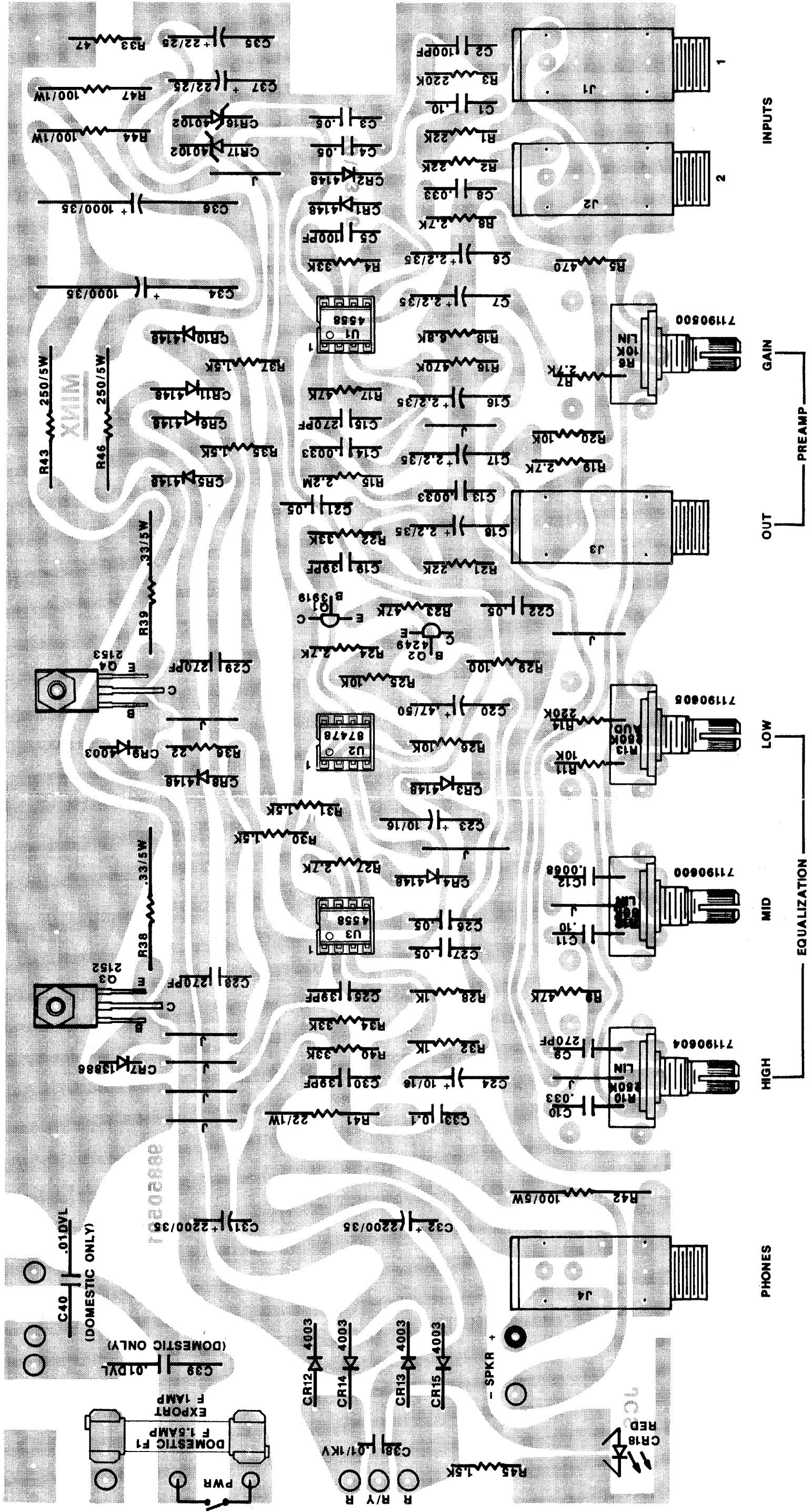
NOTES

- ALL RESISTORS 1/4W UNLESS NOTED
- ALL RESISTORS IN OHMS UNLESS NOTED
- ALL POTS ARE LINEAR UNLESS NOTED
- ALL CAPACITORS IN MFD UNLESS NOTED
- ALL DIODES 1N4148 UNLESS NOTED
- VOLTAGES MAY VARY FROM UNIT TO UNIT
- BUILT UNDER U.S. PATENT #4,318,053
- * PARTS MOUNTED ON HEATSINK
- 70402152 AND 70402153 MUST HAVE COLLECTORS ISOLATED FROM HEATSINK
- LAST REFERENCE USED:
- R47 C40 CR18 Q4 J4 U3



MINIX™
 BD.# 98850501
 (10-23-86)

PEAVEY ELECTRONICS CORP.
 MERIDIAN, MS
 DRAWN BY *YRH* DATE *1-28-87*
 C.B. CK. *RRH*
 APPR. BY *Ross*



MINX™