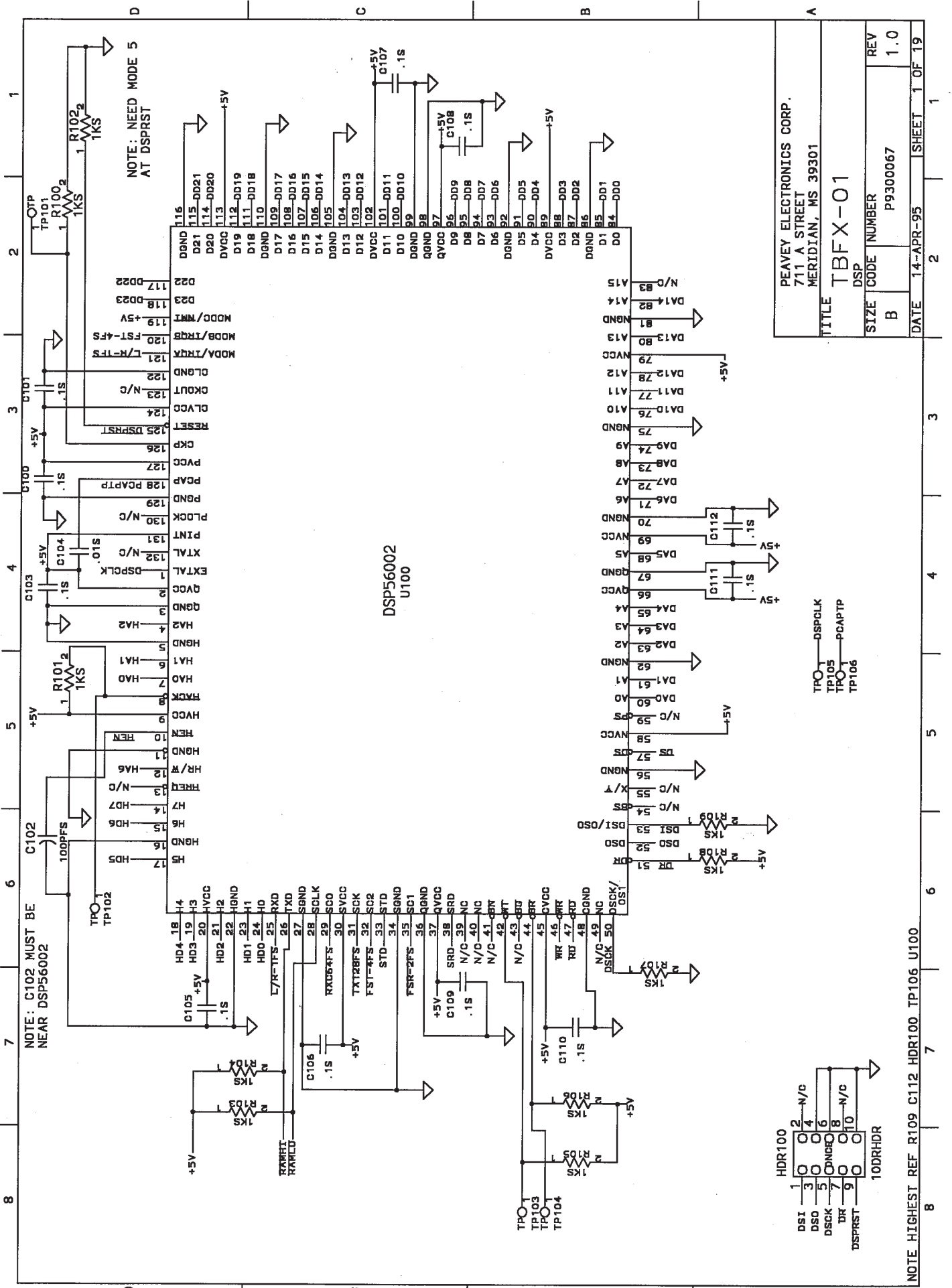


For EXPORT Tube Fex:  
 J For C1506 & C1507 insert;  
 K For F1500 Insert;

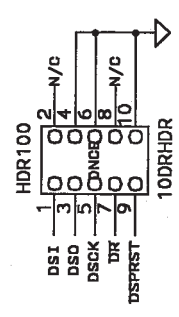
TUBE FEX  
 72100453



NOTE: C102 MUST BE NEAR DSP56002

NOTE: NEED MODE 5 AT DSPRST

DSP56002 U100



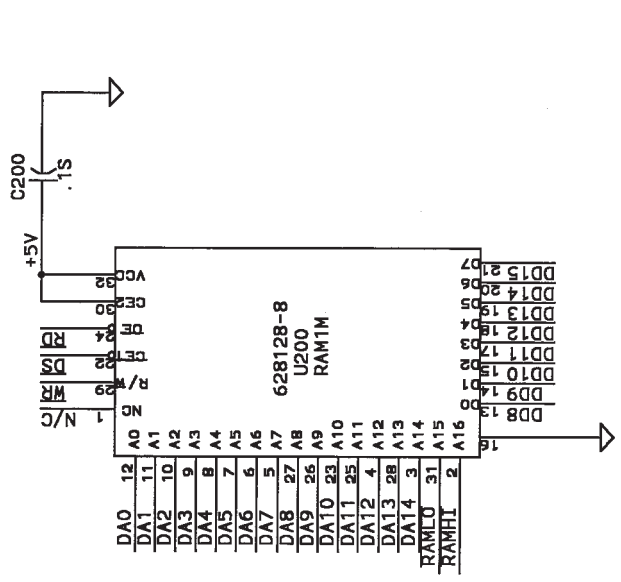
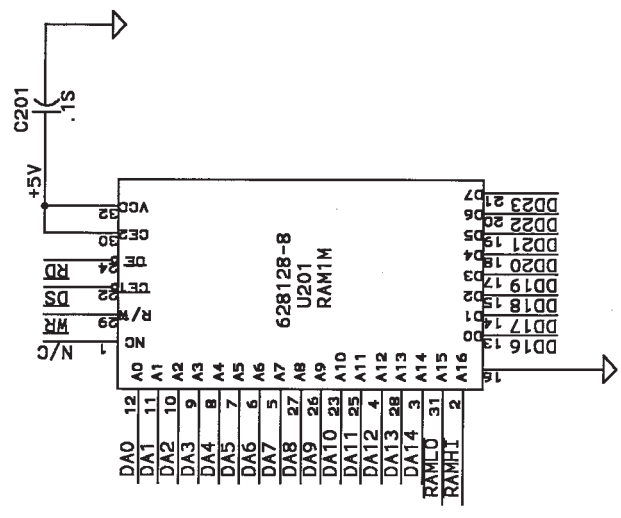
PEAVEY ELECTRONICS CORP.  
711 A STREET  
MERIDIAN, MS 39301

TITLE TBFX-01

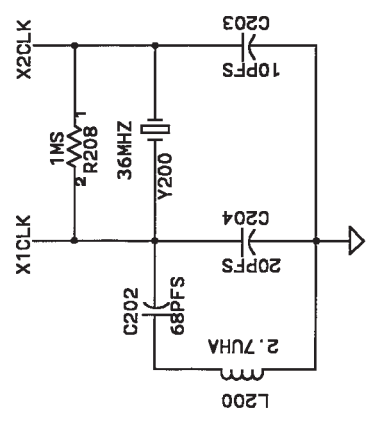
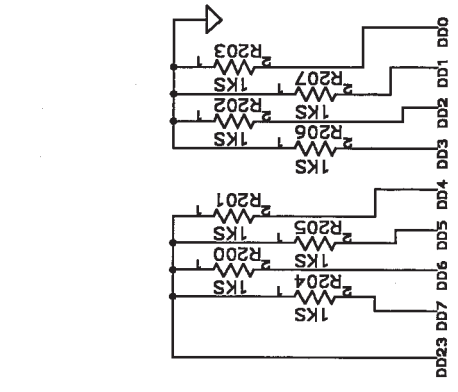
DSP	REV
SIZE B	NUMBER P9300067
DATE 14-APR-95	SHEET 1 OF 19

NOTE HIGHEST REF R109 C112 HDR100 TP106 U100

1 2 3 4 5 6 7 8

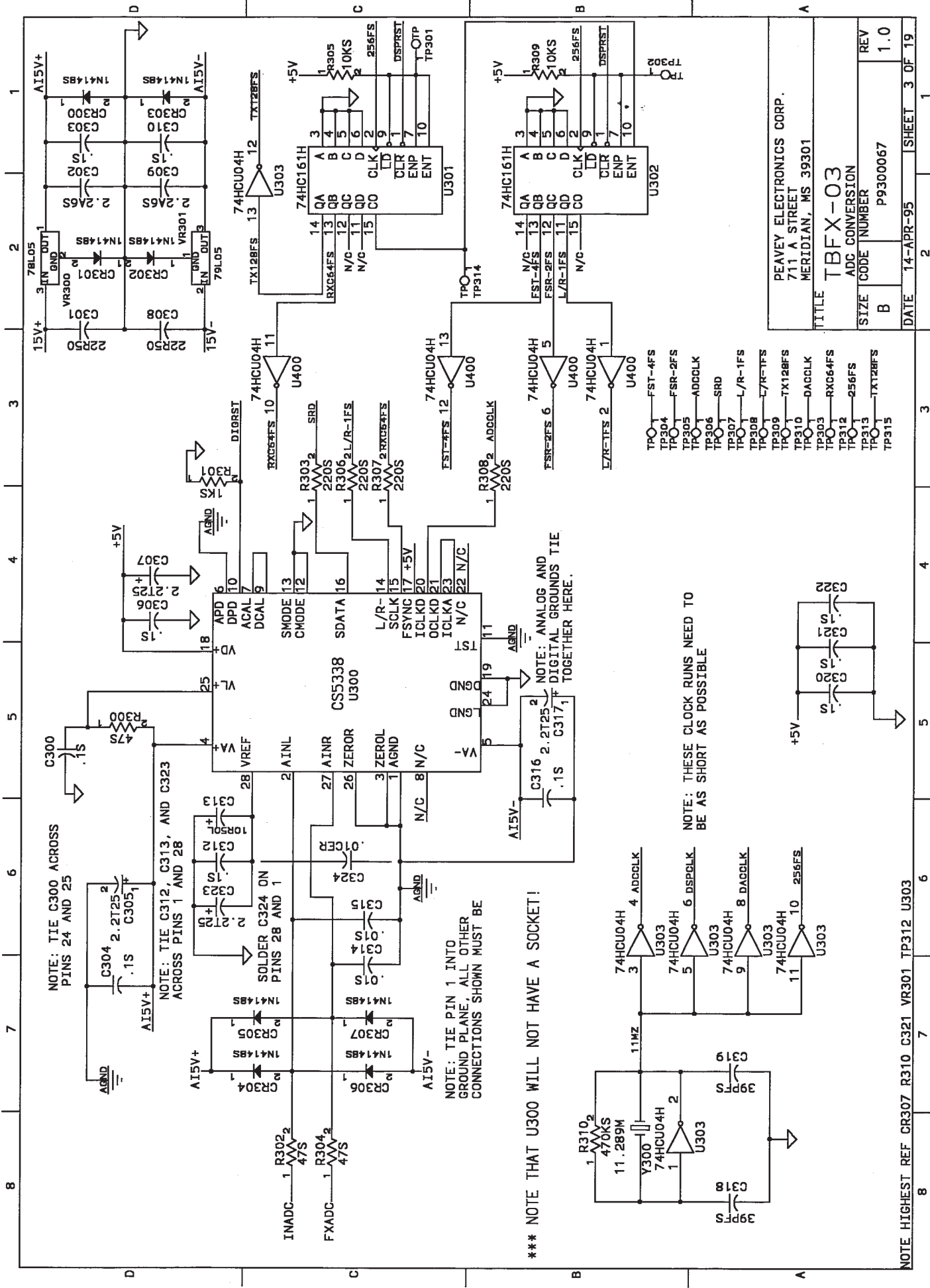


- TP201-DD0
- TP201-DD1
- TP202-DD2
- TP203-DD3
- TP204-DD4
- TP205-DD5
- TP206-DD6
- TP207-DD7
- TP208



PEAVEY ELECTRONICS CORP. 711 A STREET MERIDIAN, MS 39301	
TITLE TBFX-02	
DSP MEMORY	REV
SIZE B	1.0
CODE NUMBER P9300067	
DATE 26-APR-96	SHEET 2 OF 19

NOTE HIGHEST REF R207 C201 TP208 U201



NOTE: TIE C300 ACROSS PINS 24 AND 25

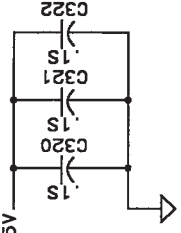
NOTE: TIE C312, C313, AND C323 ACROSS PINS 1 AND 28

NOTE: TIE PIN 1 INTO GROUND PLANE. ALL OTHER CONNECTIONS SHOWN MUST BE

\*\*\* NOTE THAT U300 WILL NOT HAVE A SOCKET!

NOTE: ANALOG AND DIGITAL GROUNDS TIE TOGETHER HERE.

NOTE: THESE CLOCK RUNS NEED TO BE AS SHORT AS POSSIBLE



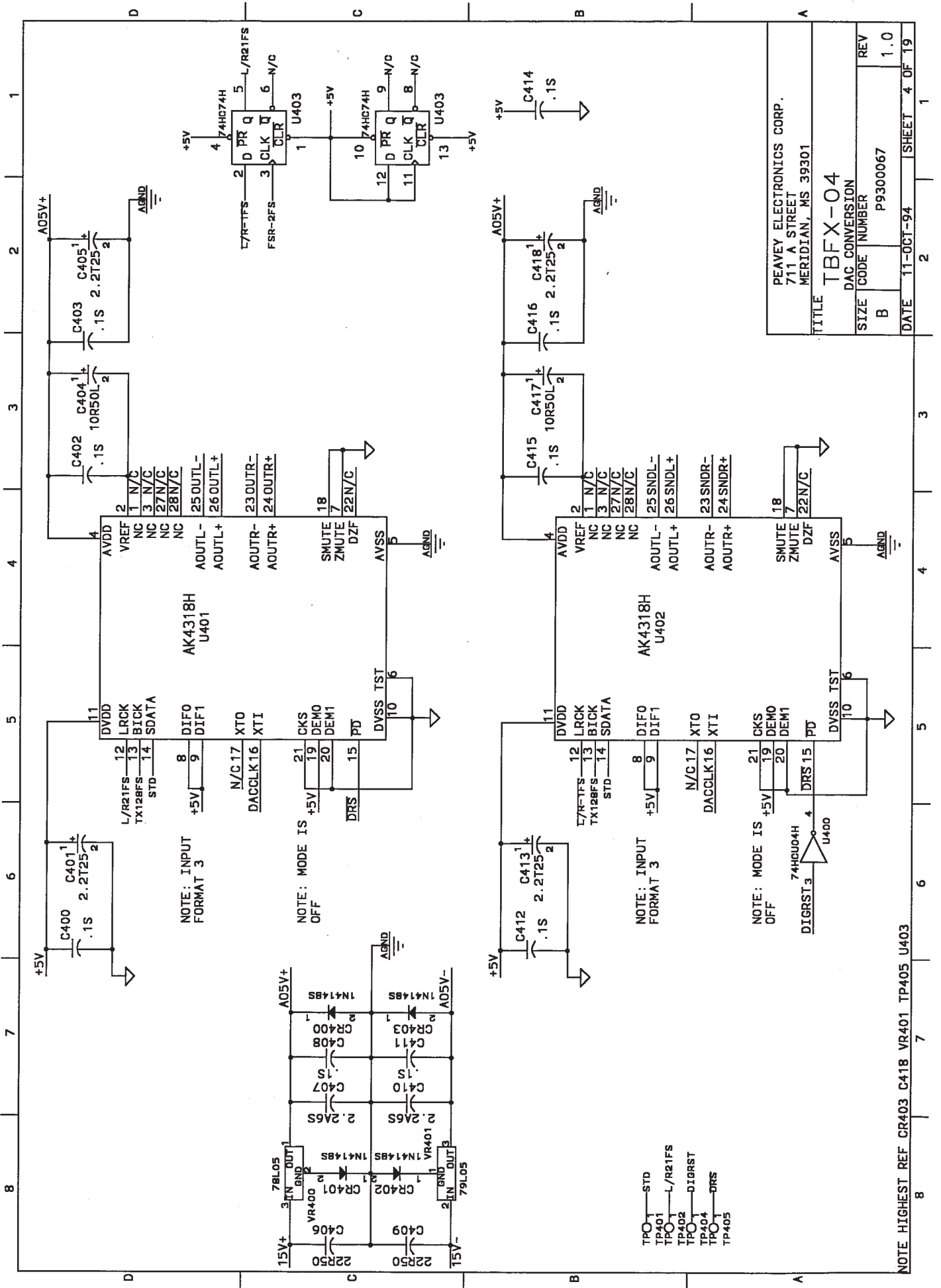
PEAVEY ELECTRONICS CORP.  
711 A STREET  
MERIDIAN, MS 39301

TITLE TBFX-03  
ADC CONVERSION

SIZE B  
CODE NUMBER P9300067  
REV 1.0

DATE 14-APR-95  
SHEET 3 OF 19

NOTE HIGHEST REF CR307 R310 C321 VR301 TP312 U303



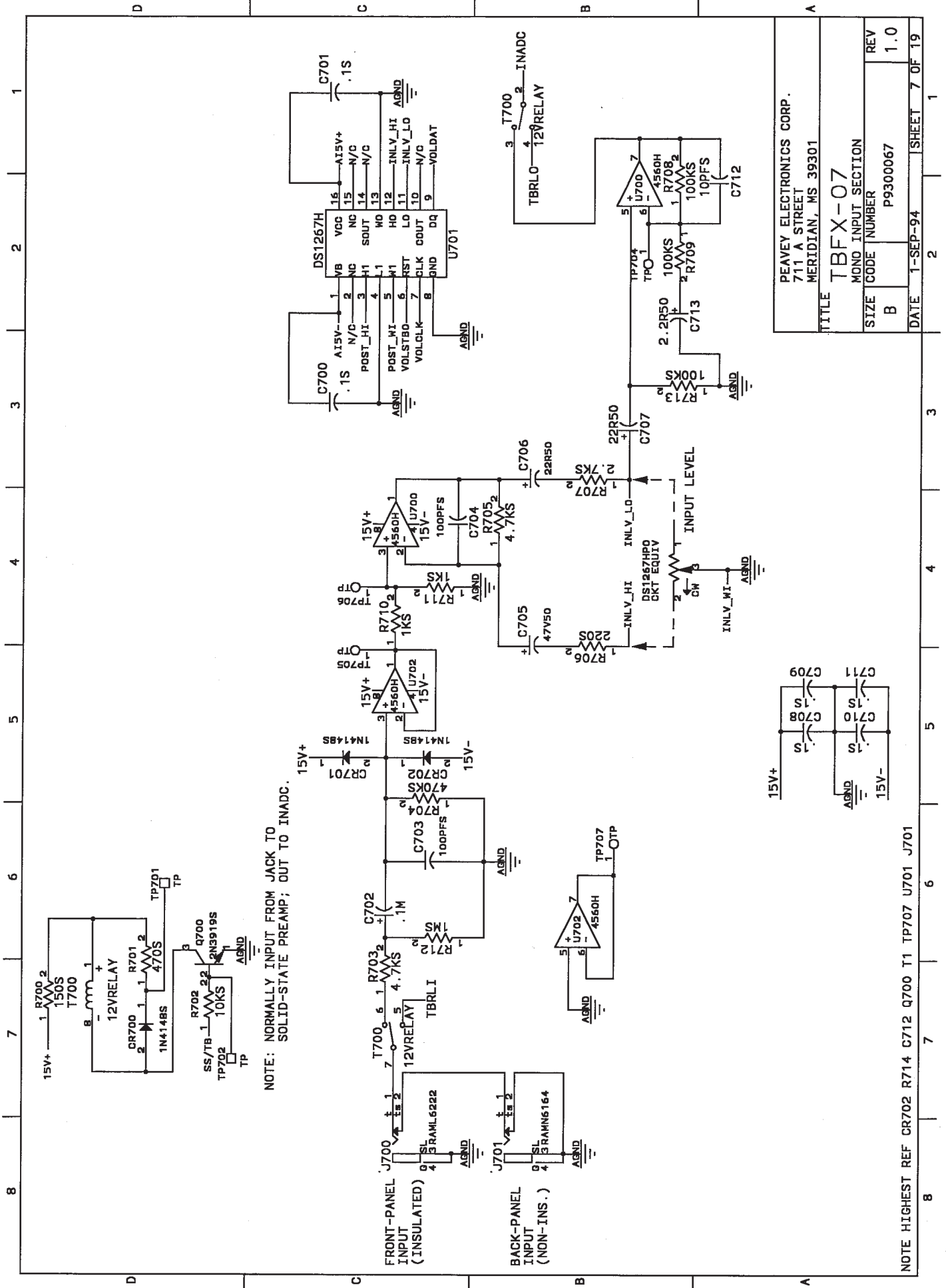
PEAVEY ELECTRONICS CORP. 711 A STREET MERIDIAN, MS 39301	
TITLE	TBFX-04
DAC CONVERSION SIZE	CODE NUMBER
B	P9300067
REV	1.0
DATE	11-OCT-94
SHEET	4 OF 19

NOTE HIGHEST REF CR403 C418 VR401 TP405 U403

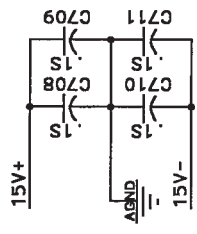
- TP401 STD
- TP402 L/R21FS
- TP403 DIGRST
- TP404 DRS
- TP405





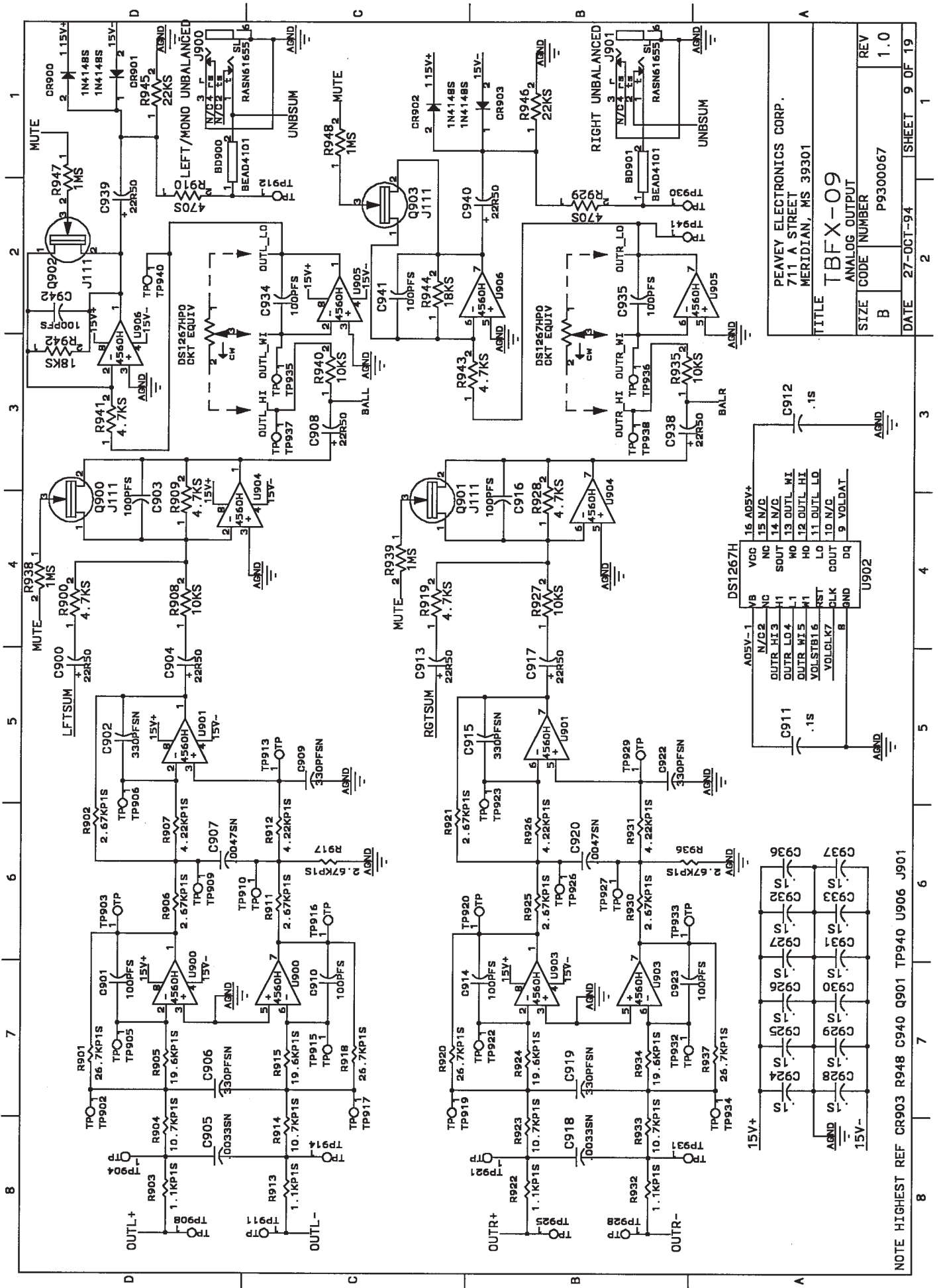


PEAVEY ELECTRONICS CORP. 711 A STREET MERIDIAN, MS 39301	
TITLE TBFX-07	
MOND INPUT SECTION	REV
SIZE B	CODE NUMBER P9300067
DATE 1-SEP-94	SHEET 7 OF 19

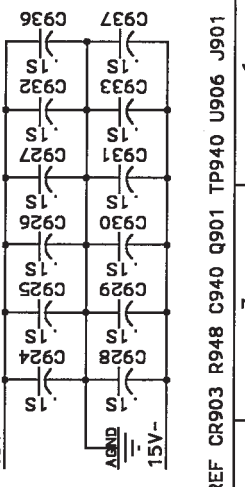








16	A05V+	VCC	16	A05V+
15	N/G2	NC	15	N/G
14	OUTR_HI3	H1	14	N/G
13	OUTR_LO4	H1	13	OUTL_HI
12	OUTR_HI5	H1	12	OUTL_HI
11	VOLSTB16	RST	11	OUTL_LO
10	VOLCLK7	CLK	10	N/G
9	RD	QOUT	9	VOLDAT
8	B	QND	8	



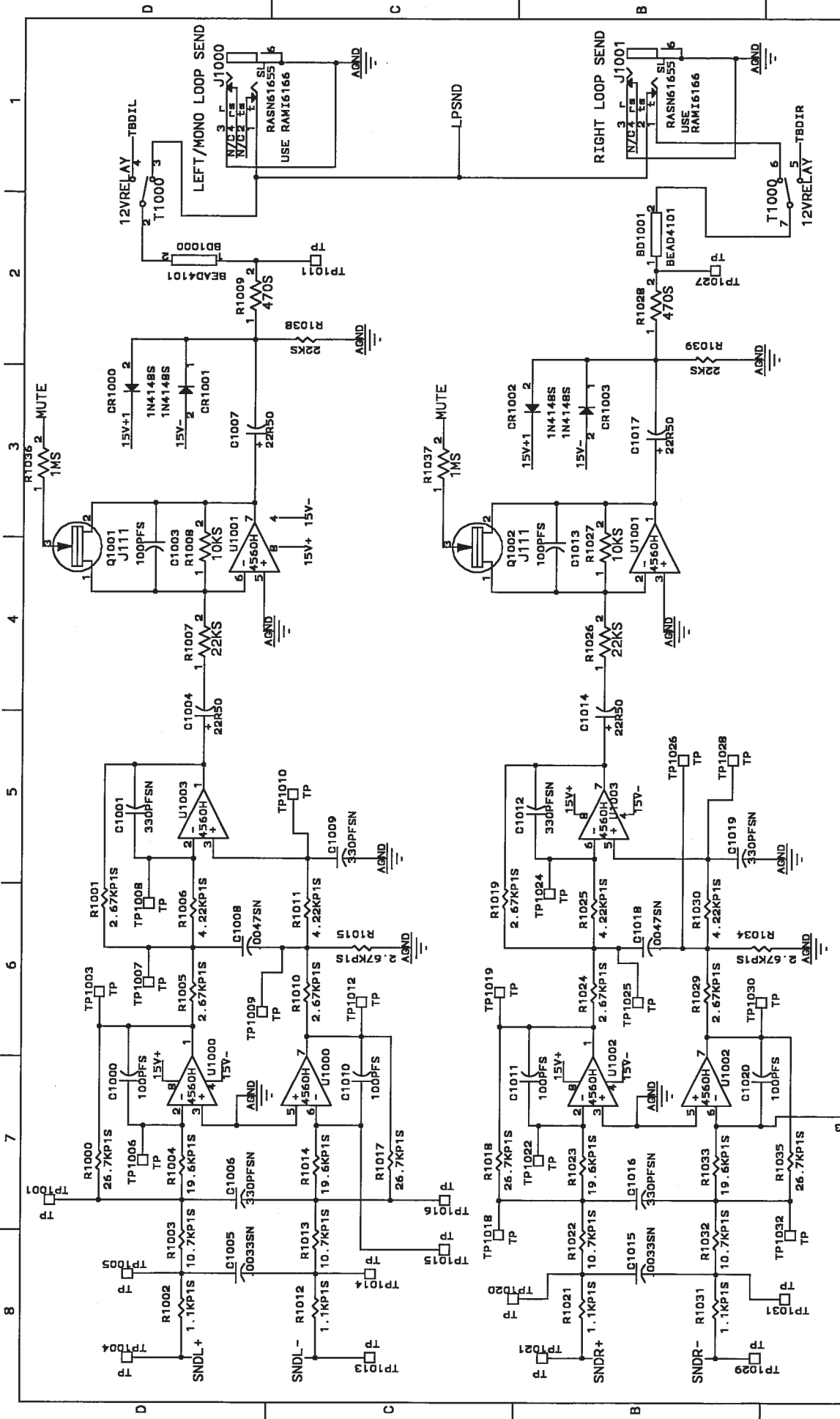
NOTE HIGHEST REF CR903 R948 C940 Q901 TP940 U906 J901

PEAVEY ELECTRONICS CORP.  
711 A STREET  
MERIDIAN, MS 39301

TITLE TBFX-09  
ANALOG OUTPUT

SIZE B  
CODE NUMBER P9300067  
REV 1.0

DATE 27-OCT-94  
SHEET 9 OF 19



PEAVEY ELECTRONICS CORP.  
711 A STREET  
MERIDIAN, MS 39301

TITLE **TBFX-10**

SIZE B

CODE NUMBER P9300067

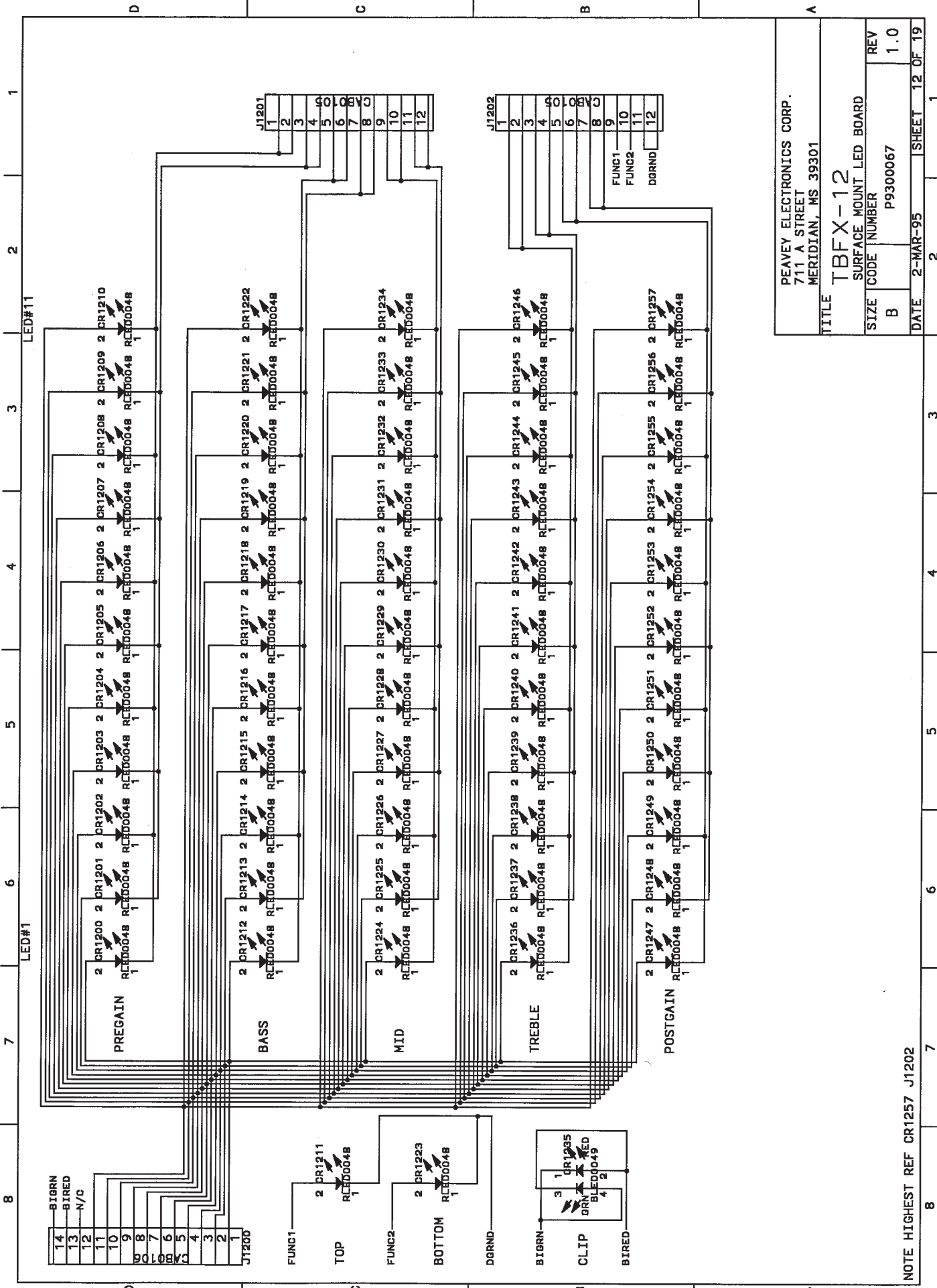
REV 1.0

DATE 2-NOV-94

SHEET 10 OF 19

NOTE HIGHEST REF CR1003 R1039 C1028 Q1002 T4 TP1033 U1003 J1001





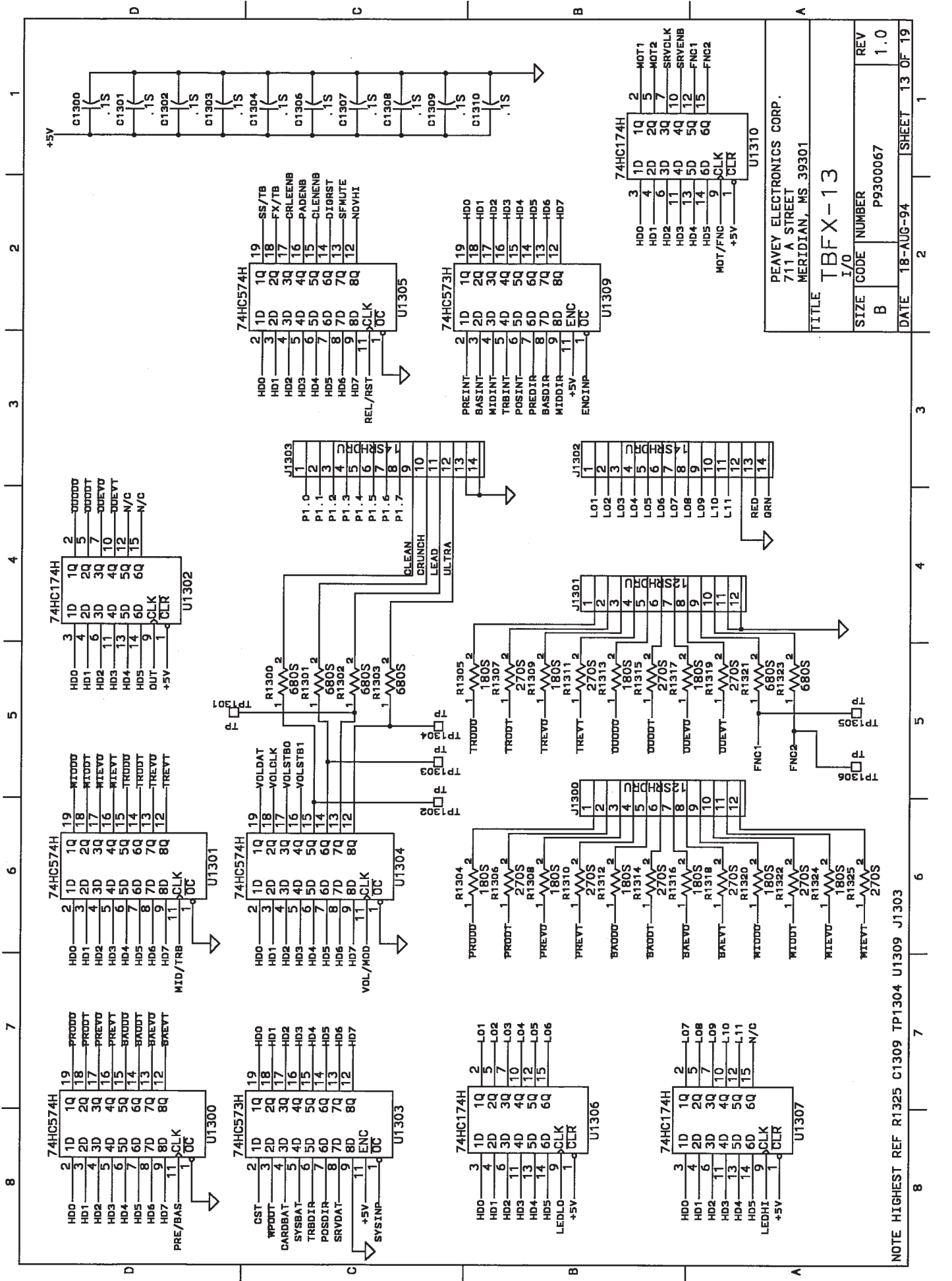
PEAVEY ELECTRONICS CORP.  
 711 A STREET  
 MERIDIAN, MS 39301

TITLE **TBFX-12**  
 SURFACE MOUNT LED BOARD

SIZE B  
 CODE NUMBER P9300067  
 REV 1.0

DATE 2-MAR-95 SHEET 12 OF 19

NOTE HIGHEST REF CR1257 J1202



PEAVEY ELECTRONICS CORP.  
 711 A STREET  
 MERIDIAN, MS 39301

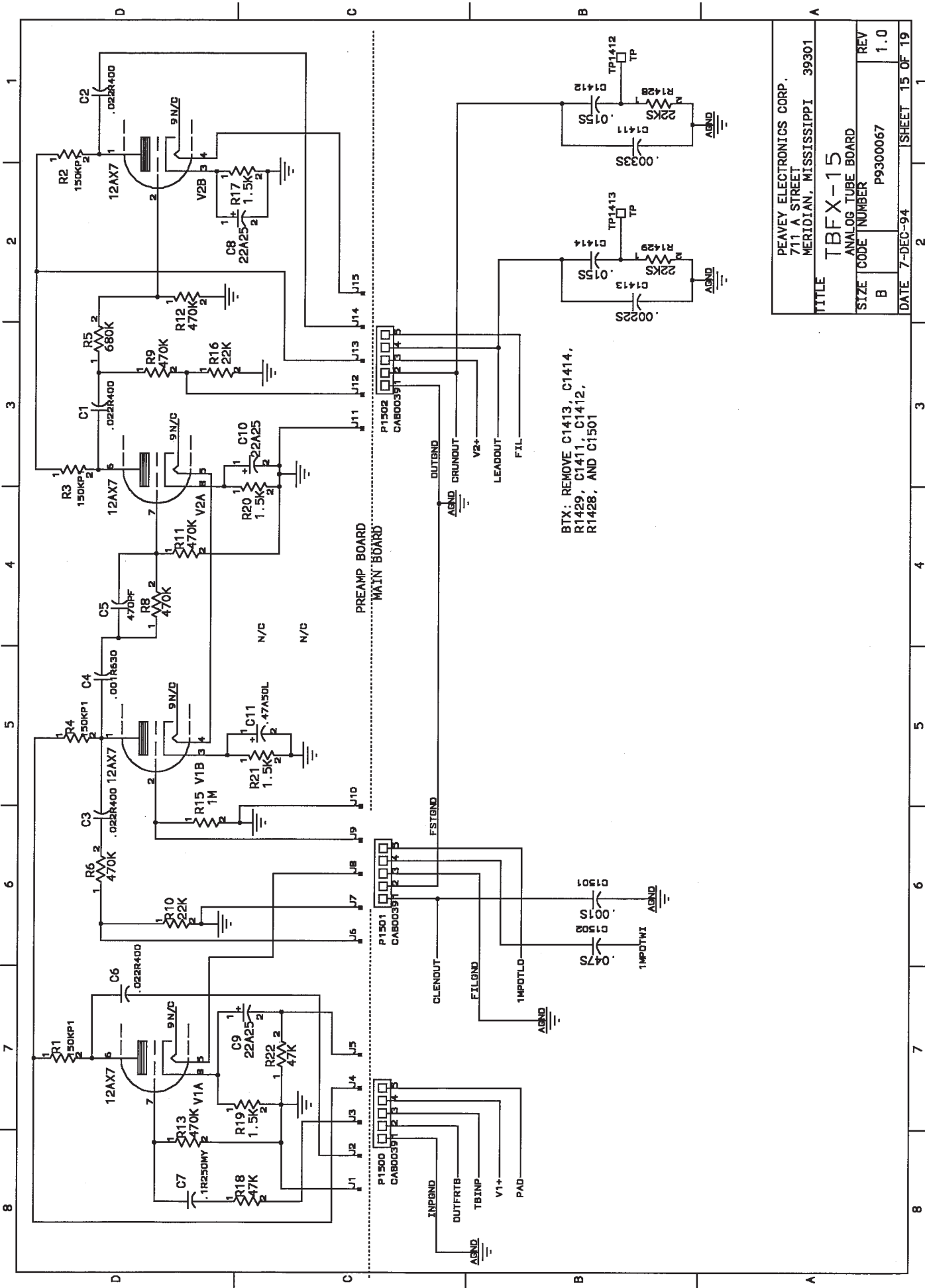
TITLE **TBFX-13**  
 I/O

SIZE CODE NUMBER P9300067  
 B

DATE 18-AUG-94 SHEET 13 OF 19

NOTE HIGHEST REF R1325 C1309 TP1304 U1309 J1303

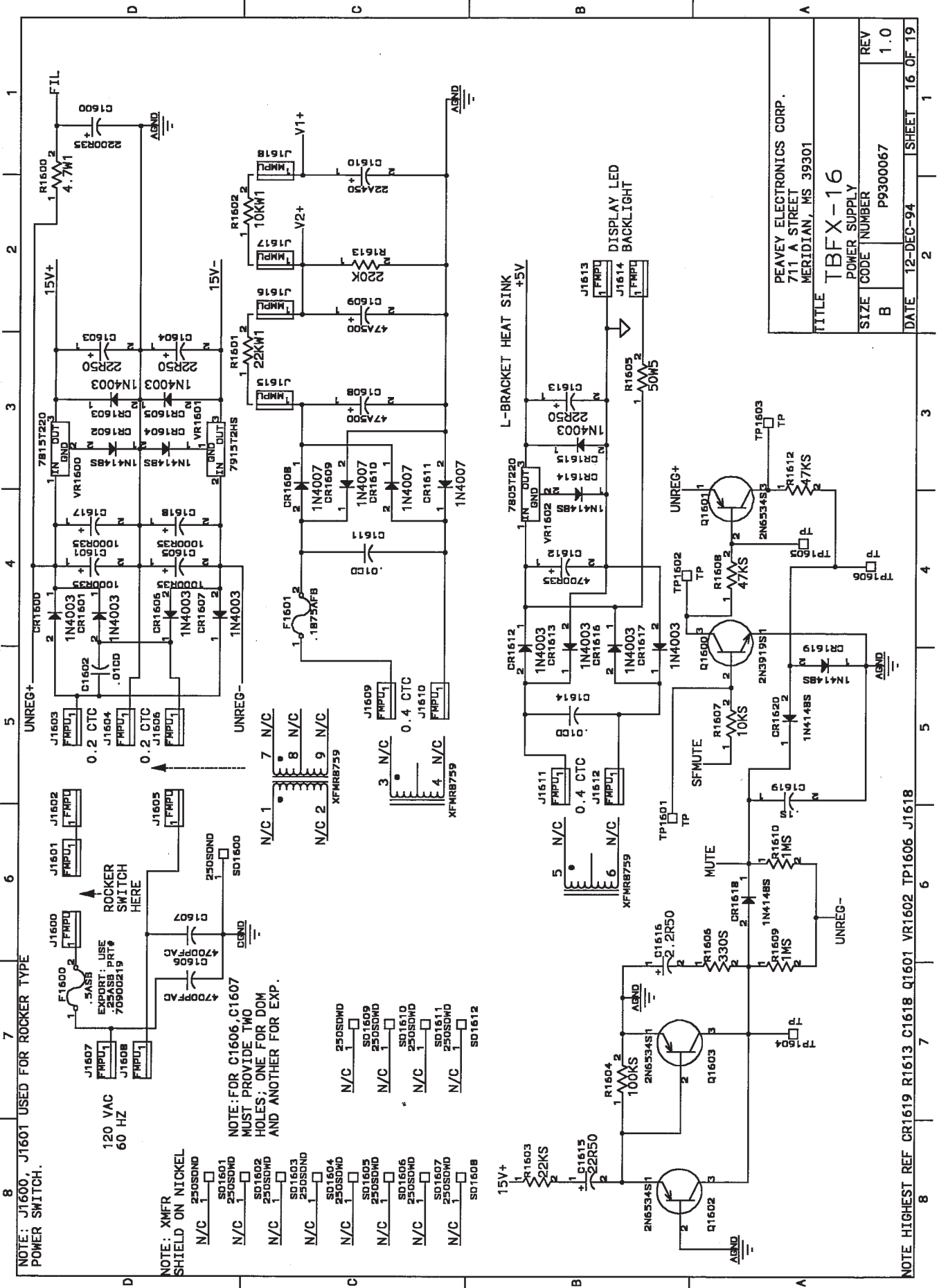




BTX: REMOVE C1413, C1414,  
R1429, C1411, C1412,  
R1428, AND C1501

PEAVEY ELECTRONICS CORP. 711 A STREET MERIDIAN, MISSISSIPPI 39301	
TITLE	TBFX-15
SIZE	ANALOG TUBE BOARD
CODE	REV
B	1.0
DATE	7-DEC-94
SHEET	15 OF 19





NOTE: J1600, J1601 USED FOR ROCKER TYPE POWER SWITCH.

NOTE: XMFR SHIELD ON NICKEL

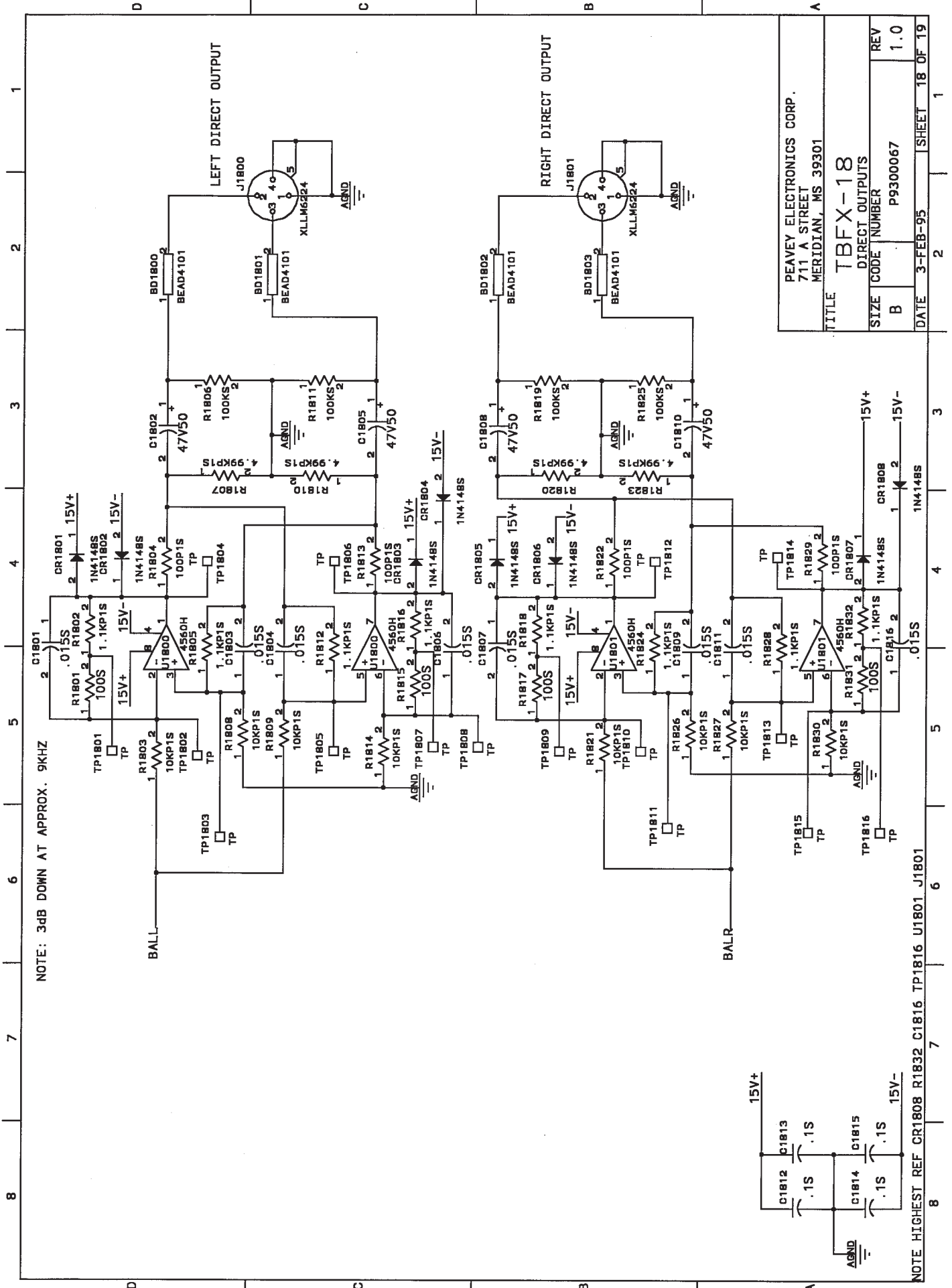
NOTE: FOR C1606, C1607 MUST PROVIDE TWO HOLES; ONE FOR DOM AND ANOTHER FOR EXP.

- N/C 1
- N/C 2
- N/C 3
- N/C 4
- N/C 5
- N/C 6
- N/C 7
- N/C 8
- N/C 9
- N/C 10
- N/C 11
- N/C 12
- N/C 13
- N/C 14
- N/C 15
- N/C 16
- N/C 17
- N/C 18
- N/C 19
- N/C 20
- N/C 21
- N/C 22
- N/C 23
- N/C 24
- N/C 25
- N/C 26
- N/C 27
- N/C 28
- N/C 29
- N/C 30
- N/C 31
- N/C 32
- N/C 33
- N/C 34
- N/C 35
- N/C 36
- N/C 37
- N/C 38
- N/C 39
- N/C 40
- N/C 41
- N/C 42
- N/C 43
- N/C 44
- N/C 45
- N/C 46
- N/C 47
- N/C 48
- N/C 49
- N/C 50
- N/C 51
- N/C 52
- N/C 53
- N/C 54
- N/C 55
- N/C 56
- N/C 57
- N/C 58
- N/C 59
- N/C 60
- N/C 61
- N/C 62
- N/C 63
- N/C 64
- N/C 65
- N/C 66
- N/C 67
- N/C 68
- N/C 69
- N/C 70
- N/C 71
- N/C 72
- N/C 73
- N/C 74
- N/C 75
- N/C 76
- N/C 77
- N/C 78
- N/C 79
- N/C 80
- N/C 81
- N/C 82
- N/C 83
- N/C 84
- N/C 85
- N/C 86
- N/C 87
- N/C 88
- N/C 89
- N/C 90
- N/C 91
- N/C 92
- N/C 93
- N/C 94
- N/C 95
- N/C 96
- N/C 97
- N/C 98
- N/C 99
- N/C 100

PEAVEY ELECTRONICS CORP. 711 A STREET MERIDIAN, MS 39301	
TITLE TBFX-16	
POWER SUPPLY	REV
SIZE B	CODE NUMBER P9300067
DATE 12-DEC-94	SHEET 16 OF 19

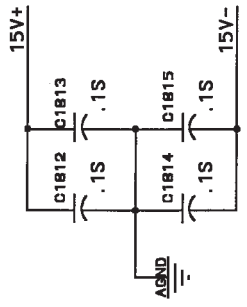
NOTE HIGHEST REF CR1619 R1613 C1618 Q1601 VR1602 TP1606 J1618



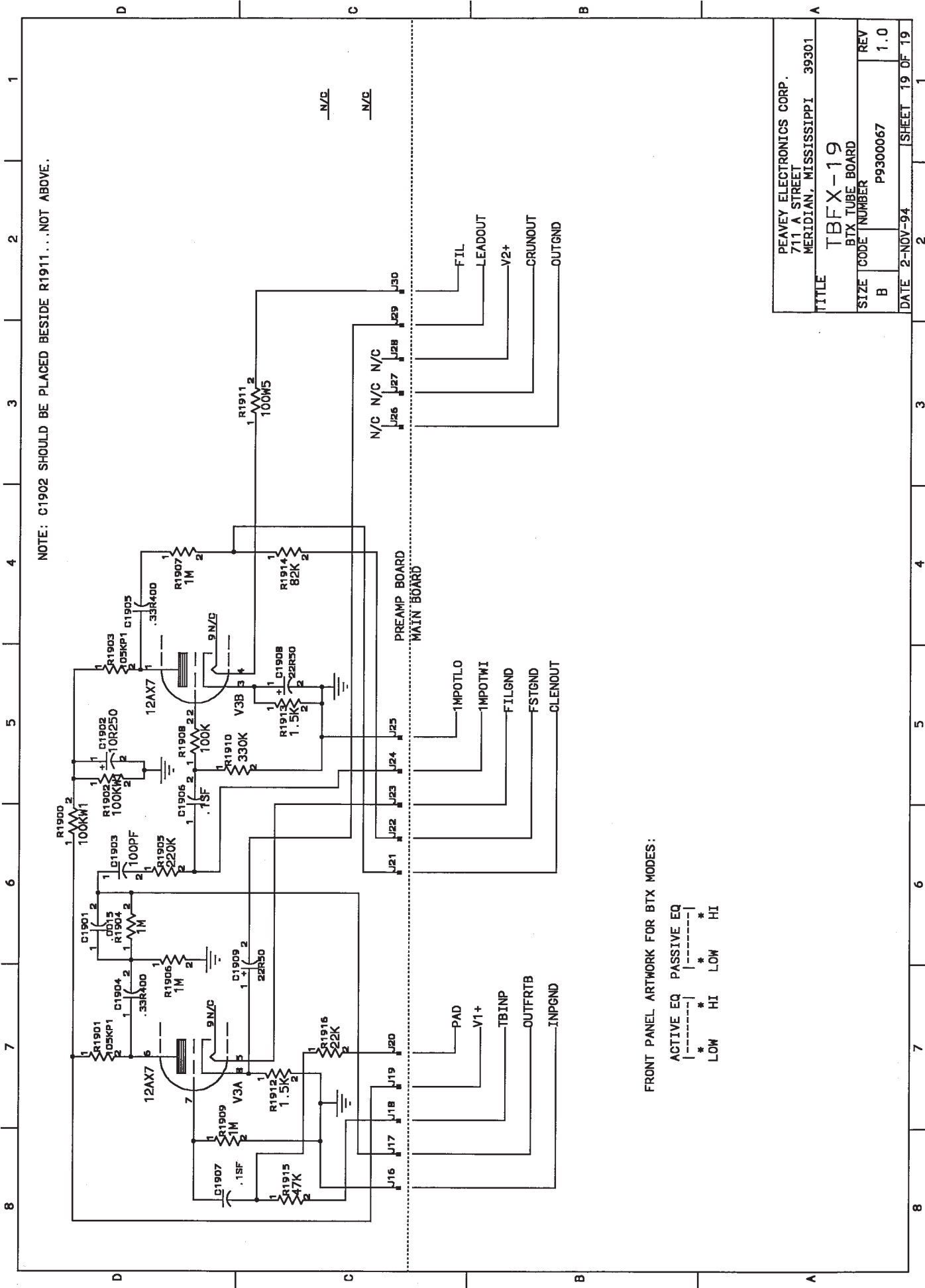


NOTE: 3dB DOWN AT APPROX. 9KHZ

NOTE HIGHEST REF CR1808 R1832 C1816 TP1816 U1801 J1801



PEAVEY ELECTRONICS CORP. 711 A STREET MERIDIAN, MS 39301	
TITLE	TBFX-18
SIZE	B
CODE	NUMBER
REV	P9300067
DATE	3-FEB-95
SHEET	18 OF 19



NOTE: C1902 SHOULD BE PLACED BESIDE R1911...NOT ABOVE.

FRONT PANEL ARTWORK FOR BTX MODES:  
 ACTIVE EQ | PASSIVE EQ  
 |-----| |-----|  
 \* \* \* \* \*  
 LOW HI LOW HI

PEAVEY ELECTRONICS CORP. 711 A STREET MERIDIAN, MISSISSIPPI 39301	
TITLE	TBFX-19
SIZE	BTX TUBE BOARD
CODE	REV
B	P9300067
DATE	2-NOV-94
SHEET	19 OF 19