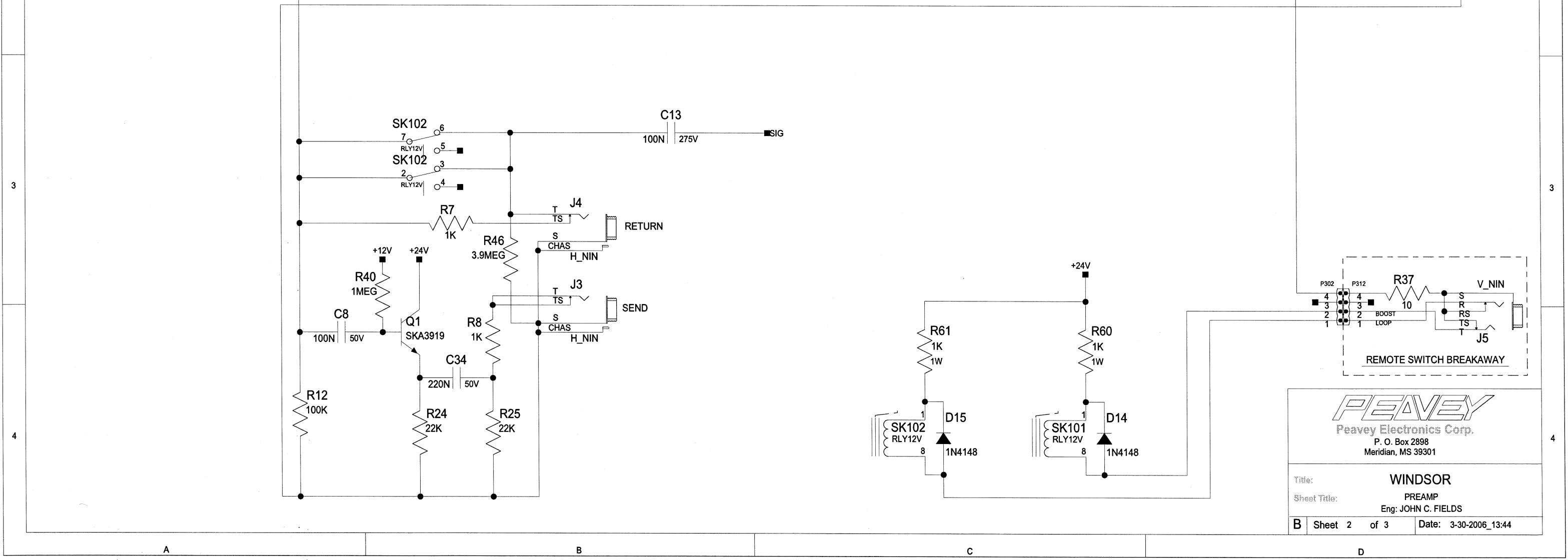
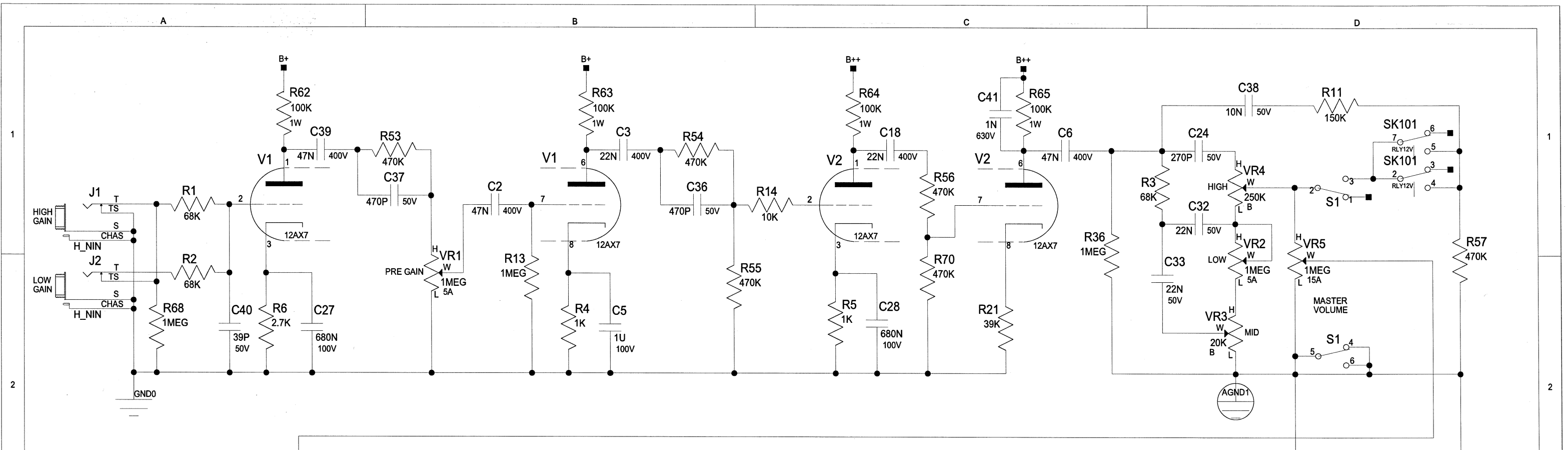


PEAVEY
Peavey Electronics Corp.
P. O. Box 2898
Meridian, MS 39301

Title: **WINDSOR**
Sheet Title: **POWER AMP**
Eng: JOHN C. FIELDS

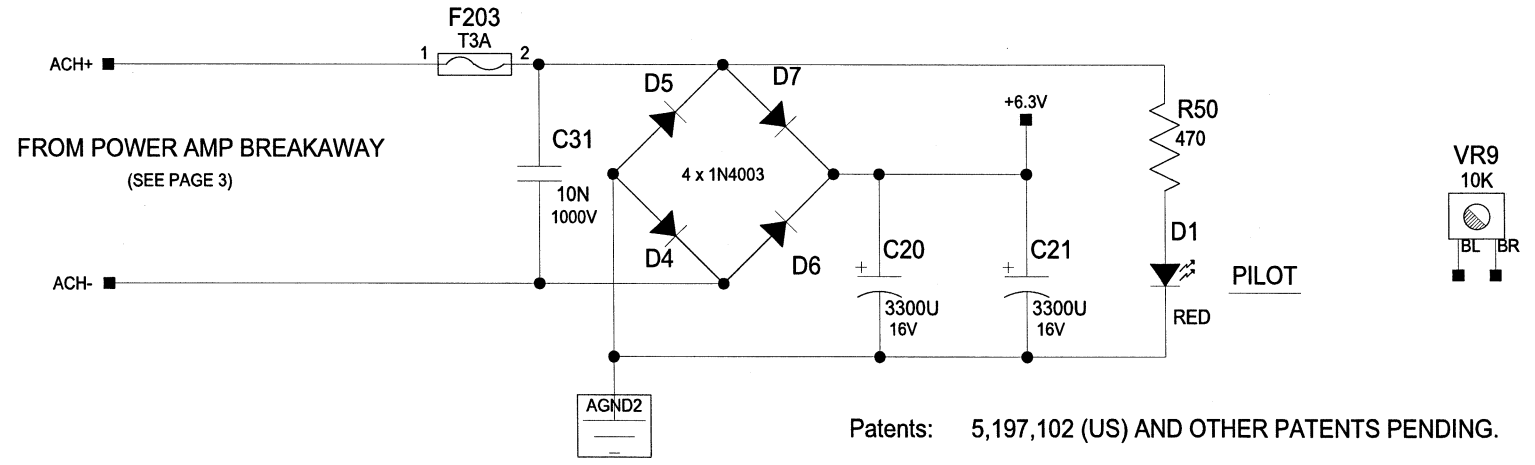
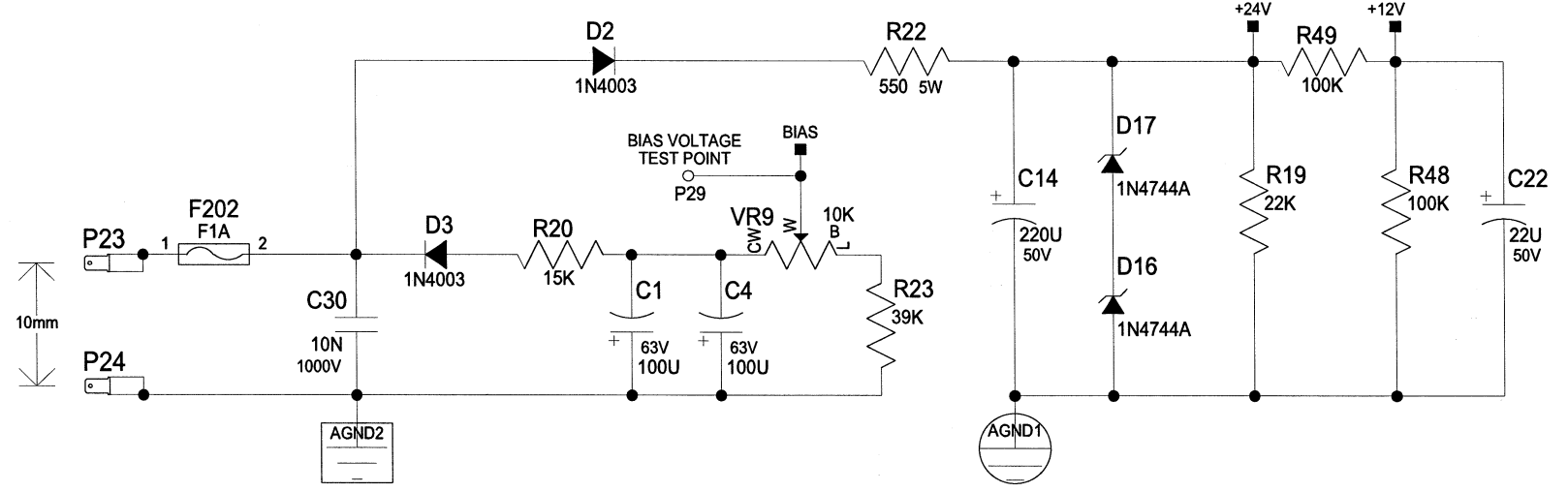
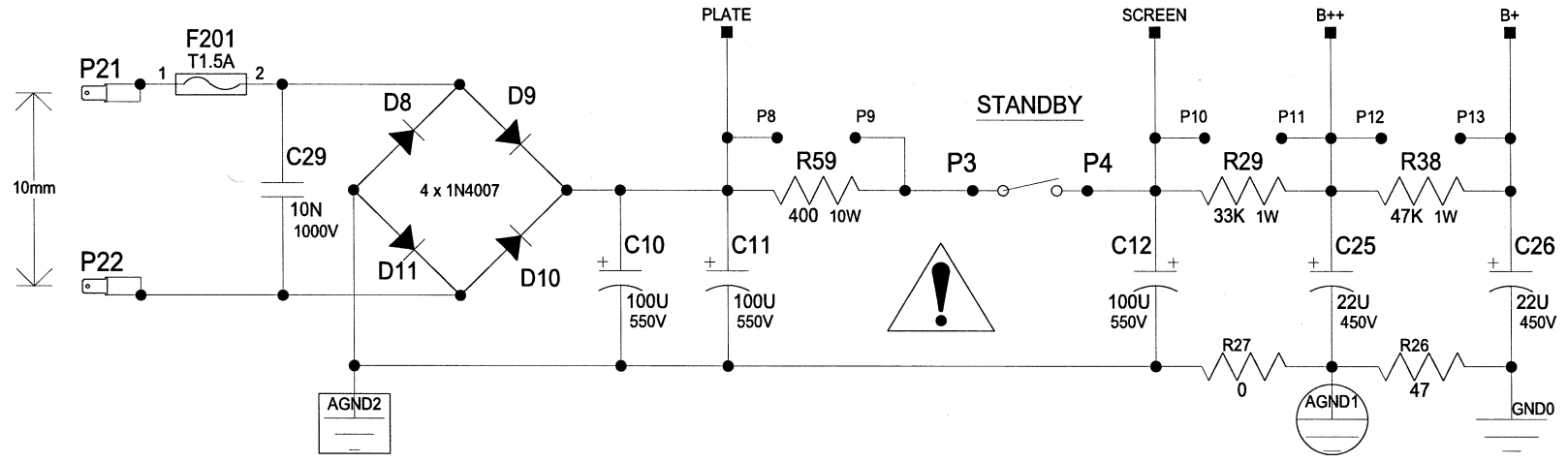
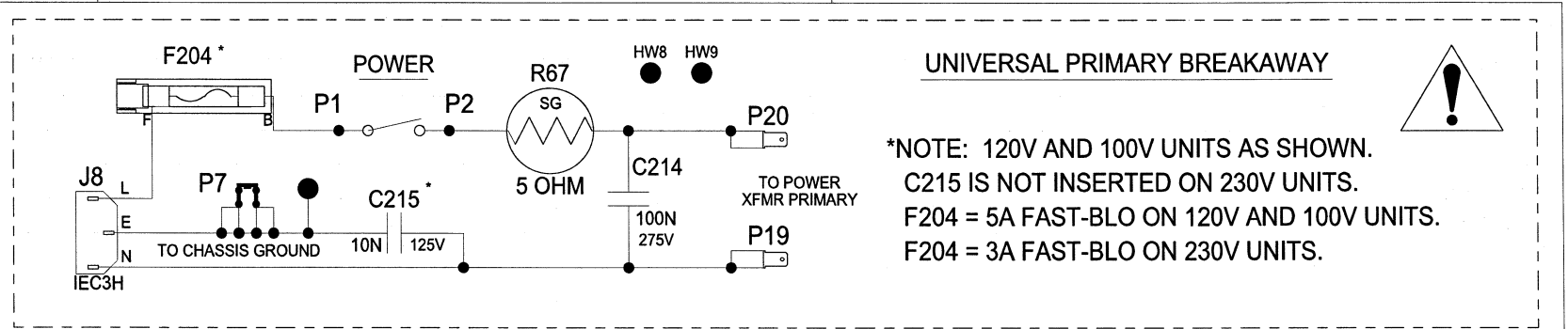
B Sheet 3 of 3 Date: 7-18-2006_17:03



PEAVEY
 Peavey Electronics Corp.
 P. O. Box 2898
 Meridian, MS 39301

Title: **WINDSOR**
 Sheet Title: **PREAMP**
 Eng: JOHN C. FIELDS

B Sheet 2 of 3 Date: 3-30-2006_13:44



Note: All thru hole Resistors are 1/4 Watt unless otherwise indicated.
All SMT 1206 Resistors are 1/4 Watt.
All SMT 0805 Resistors are 1/10 Watt.
Note Capacitor Values are indicated as Follows:
val P = pF (picoFarads) val * 10 exp-12
val N = nF (nanoFarads) val * 10 exp-9 (1N=1000pF, 100N=0.1uF)
val U = uF (microFarads) val * 10 exp-6

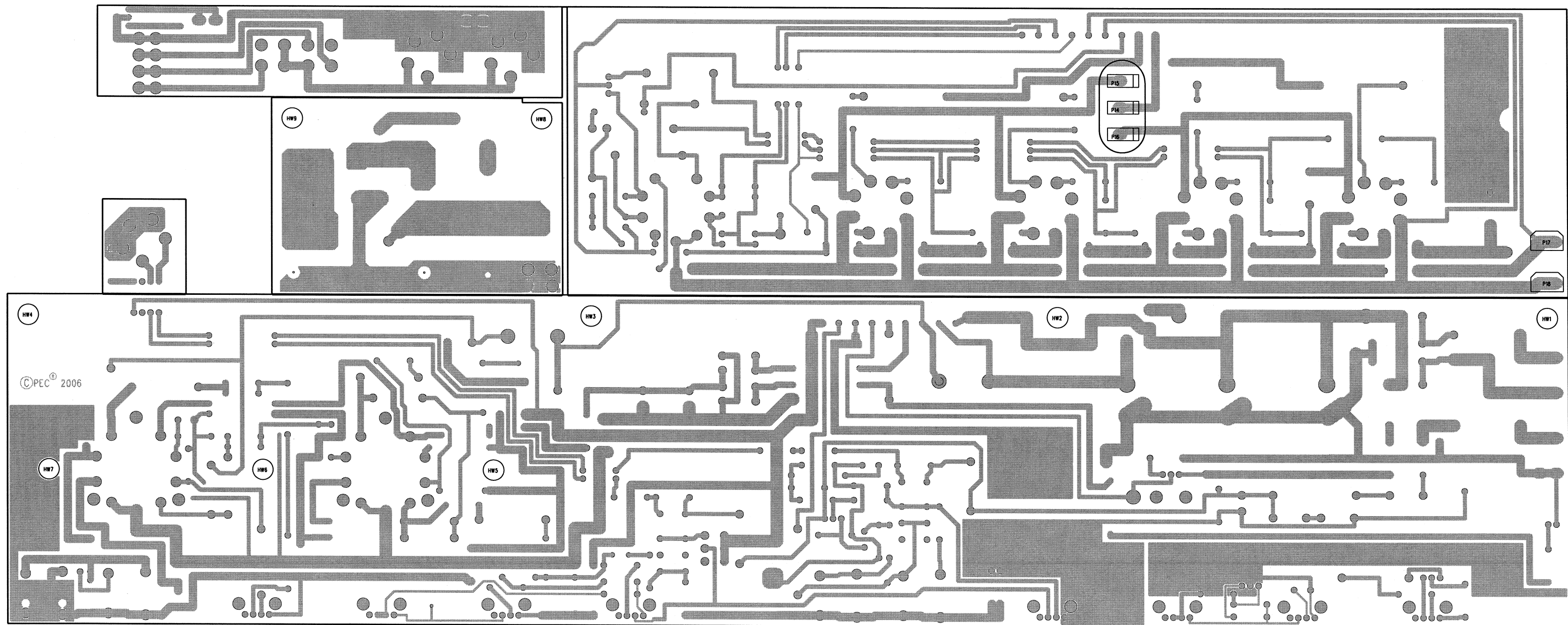
Patents: 5,197,102 (US) AND OTHER PATENTS PENDING.

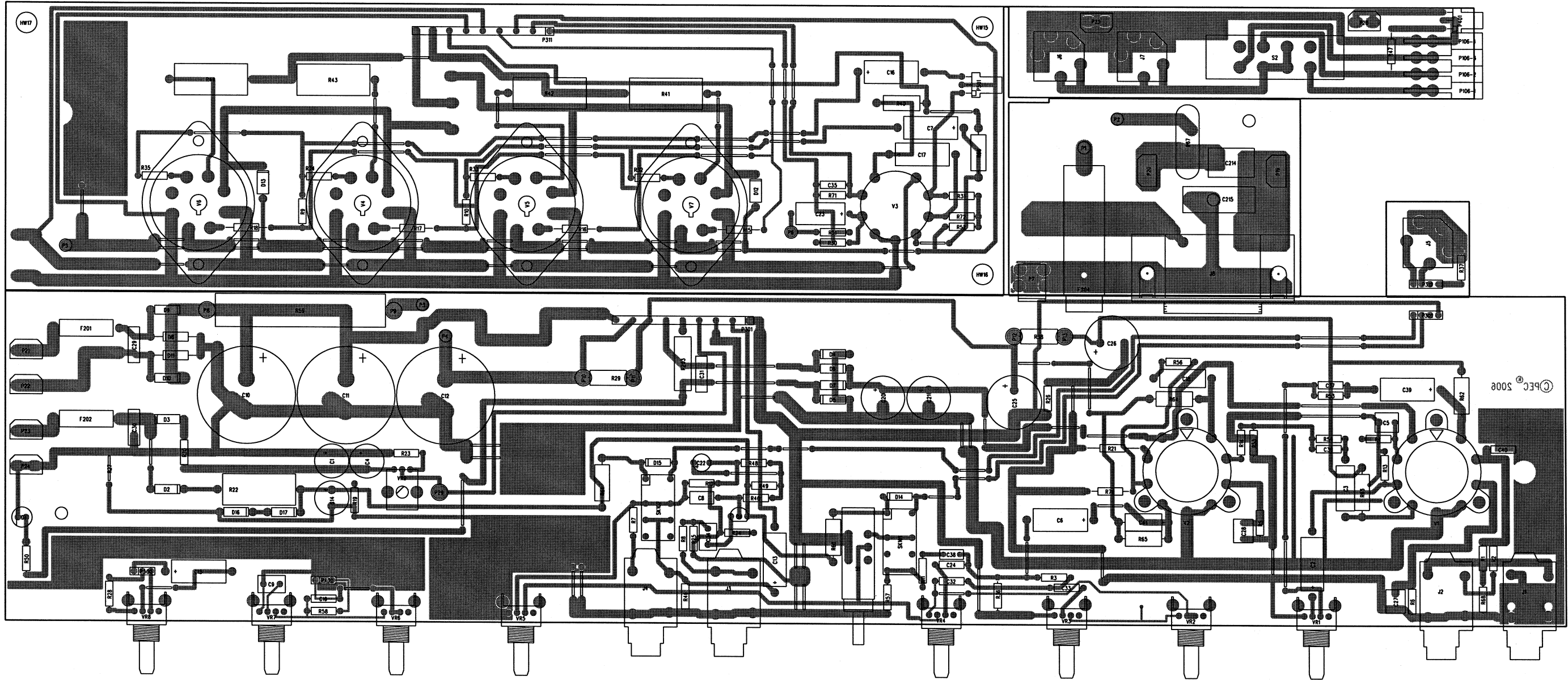
Copyright Peavey Electronics Corporation 2005.

Company Proprietary Information



| | |
|-------------------|------------------------|
| Product: | WINDSOR |
| Title: | COVER / POWER SUPPLY |
| Project Number: | P0500123 |
| Eng: J. C. FIELDS | Release Date: |
| B Sheet 1 of 3 | Saved: 3-30-2006_14:33 |





 BILL OF MATERIAL REPORT

REPORT DATE/TIME: 7/21/2006 9:47:06 AM

BOARD NAME: Windsor Amp ASSEMBLY LEVEL NUMBER: 99094791

PROJECT NUMBER: P0500123 DESIGNER: FJE

| Qty. | Part # | Description | Reference Designators |
|------|----------|--------------------------|----------------------------|
| 2 | 30210000 | 1K 1W 5% MO AXL | R60 R61 |
| 1 | 30210008 | 220K 1W 5% MO AXL | R45 |
| 5 | 30210017 | 100K 1W 5% MO AXL | R62 R63 R64 R65 R66 |
| 1 | 30210027 | 33K 1W 5% MO AXL | R29 |
| 2 | 30240015 | 470 1/4W 5% CF AXL | R50 R51 |
| 2 | 30240017 | 1K 1/4W 5% CF AXL | R4 R5 |
| 1 | 30240019 | 820 1/4W 5% CF AXL | R58 |
| 1 | 30240021 | 2700 1/4W 5% CF AXL | R6 |
| 5 | 30240025 | 10K 1/4W 5% CF AXL | R14 R15 R16 R17 R18 |
| 1 | 30240027 | 15K 1/4W 5% CF AXL | R20 |
| 1 | 30240029 | 22K 1/4W 5% CF AXL | R19 |
| 3 | 30240032 | 68K 1/4W 5% CF AXL | R1 R2 R3 |
| 3 | 30240034 | 100K 1/4W 5% CF AXL | R12 R48 R49 |
| 1 | 30240035 | 150K 1/4W 5% CF AXL | R11 |
| 6 | 30240038 | 470K 1/4W 5% CF AXL | R53 R54 R55 R56 R57 R70 |
| 4 | 30240039 | 1M 1/4W 5% CF AXL | R13 R36 R40 R68 |
| 1 | 30240048 | 39K 1/4W 5% CF AXL | R21 |
| 1 | 30320104 | 0.01UF 125V-20% "X" RADH | C215 |
| 3 | 30320105 | 0.047UF 400V 10% PES AXL | C2 C6 C39 |

| | | | | | | | |
|---|----------|------------|-------|----------|---------|-------|--------------------------------|
| 1 | 30320181 | 22UF | 50V | 20% | EL | RAD | C22 |
| 1 | 30320187 | 220UF | 50V | 20% | EL | RAD | C14 |
| 1 | 30320281 | 1000PF | 630V | 10% | PE | AXL | C41 |
| 2 | 30320283 | 0.022UF | 400V | 10% | PE | AXL | C3 C18 |
| 1 | 30320334 | 0.1UF | 250V | 10% | PE | AXL | C13 |
| 2 | 30320335 | 3300UF | 16V | 20% | EL | RADH | C20 C21 |
| 3 | 30320573 | 100UF | 550V | 20% | EL | SNPH | C10 C11 C12 |
| 2 | 30330128 | 0.22UF | 50V | 5% | PE | RAD | C9 C34 |
| 2 | 30330149 | 0.68UF | 100V | 5% | PES | RAD | C27 C28 |
| 1 | 30330150 | 1UF | 100V | 5% | PES | RAD | C5 |
| 1 | 30330155 | 0.01UF | 50V | 5% | PE | RAD | C38 |
| 1 | 30340052 | 39PF | 50V | 5% | NPO | AXL | C40 |
| 2 | 30340058 | 470PF | 50V | 10% | NPO | AXL | C36 C37 |
| 2 | 30464744 | 1N4744A | 15V | 1W | 5% | ZENER | D16 D17 |
| 1 | 30600136 | 0 | OHM | 22GA | JMPR | AXL | R27 |
| 1 | 30806631 | TUBE SKT | 9PIN | CERAMIC | | | V3 |
| 4 | 30806632 | TUBE SKT | OCTAL | 616GC | | | V4 V5 V6 V7 |
| 2 | 30806633 | TUBE SKT | 9PIN | SNAP-IN | CERAMIC | | V1 V2 |
| 1 | 30901182 | FUSE, | 3A | 250V | 2AG | T&R | F203 |
| 4 | 31600266 | 700 | 5W | 10% | WW | AXLH | SL R41 R42 R43 R44 |
| 1 | 31600269 | 550 | 5W | 10% | WW | AXLH | SL R22 |
| 2 | 33716194 | SPADE .250 | PC | MNT .093 | | | P17 P18 |
| 4 | 33716927 | .250 | PC | MNT R/A | SPADE | | P106-1 P106-2 P106-3 P106-4 |
| 1 | 70210004 | 47K | 1W | 5% | MO | AXL | R38 |
| 1 | 70240003 | 10 | 1/4W | 5% | CF | AXL | R37 |
| 2 | 70240017 | 1K | 1/4W | 5% | CF | AXL | R7 R8 |
| 6 | 70240018 | 1500 | 1/4W | 5% | CF | AXL | R30 R31 R32 R33 |

| | | | | | | | |
|---|----------|---------|-------|--------|--------|---------|----------------------|
| 2 | 70240029 | 22K | 1/4W | 5% | CF | AXL | R34 R35 |
| 1 | 70240030 | 33K | 1/4W | 5% | CF | AXL | R24 R25 |
| 1 | 70240033 | 82K | 1/4W | 5% | CF | AXL | R47 |
| 1 | 70240034 | 100K | 1/4W | 5% | CF | AXL | R28 |
| 2 | 70240036 | 220K | 1/4W | 5% | CF | AXL | R52 |
| 2 | 70240039 | 1M | 1/4W | 5% | CF | AXL | R9 R10 |
| 1 | 70240048 | 39K | 1/4W | 5% | CF | AXL | R71 R72 |
| 1 | 70240064 | 3.9M | 1/4W | 5% | CF | AXL | R23 |
| 1 | 70240090 | 47 | 1/4W | 5% | FP | AXL | R46 |
| 1 | 70240210 | 5 OHM | 12A | | INRUSH | LIMITER | R26 |
| 1 | 70250019 | 400 | 10W | 10% | FP | AXLH | R67 |
| 1 | 70320012 | 22UF | 25V | 20% | EL | AXL | R59 |
| 1 | 70320105 | 0.047UF | 400V | 10% | PES | AXL | C23 |
| 3 | 70320248 | 0.01UF | 1000V | 80-20% | Z5U | RAD | C7 |
| 2 | 70320264 | 100UF | 63V | 20% | EL | RAD | C29 C30 C31 |
| 3 | 70320334 | 0.1UF | 250V | 10% | PE | AXL | C1 C4 |
| 2 | 70320339 | 22UF | 450V | 20% | EL | RADH | C15 C16 C17 |
| 1 | 70320556 | 0.1UF | 275V | 10% | "X" | RADH | C25 C26 |
| 1 | 70340011 | 0.01UF | 50V | 10% | X7R | AXL | C19 |
| 2 | 70340012 | 0.022UF | 50V | 10% | X7R | AXL | C32 C33 |
| 1 | 70340054 | 100PF | 50V | 10% | NPO | AXL | C35 |
| 1 | 70340057 | 270PF | 50V | 10% | NPO | AXL | C24 |
| 1 | 70340101 | 0.1UF | 50V | 10% | X7R | AXL | C8 |
| 2 | 70402873 | SR2873 | 2KV, | | 250MA | DIODE | D12 D13 |
| 1 | 70450068 | RED T1 | 3/4 | | LED | S-BRT | D1 |
| 1 | 70463919 | SKA3919 | NPV | | TO92 | RAD | Q1 |
| 6 | 70464003 | 1N4003 | 200V | 1A | SI | DIODE | D2 D3 D4 D5 D6 D7 |

| | | | |
|---|----------|----------------------------------|---|
| 4 | 70464007 | 1N4007 1KV, 1A, SI DIODE | D8 D9 D10 D11 |
| 2 | 70464148 | 1N4148 75V 10MA DIODE | D14 D15 |
| 2 | 70600055 | 4C .100 STRP STRP 8" JMP | P302 P312 |
| 2 | 70600518 | 9C .200 STRP STRP 6" JMP | P301 P311 |
| 1 | 70901244 | 1A FUSE 5X15MM PIG TAIL T&R | F202 |
| 1 | 70901428 | PWR INLET, RA SCREW MT PC RA GND | J8 |
| 1 | 70901429 | EXT. FUSEHOLDER, PC MT | F204 |
| 1 | 70901446 | FUSE, 1.5A--2AG--S/B--T&R | F201 |
| 1 | 70901785 | SCREW TERM, 6-32 -PCB MT | P7 |
| 3 | 70901859 | STND .500 T4-40, SW, AL, ST | HW15 HW16 HW17 |
| 9 | 70901890 | STND .375 T4-40SW, AL, ST | HW1 HW2 HW3 HW4 HW5 HW6 HW7 HW8 HW9 |
| 1 | 71190256 | 10KB SNGL 9MM VER | VR9 |
| 1 | 71190902 | 10K15C SNGL 12MM HOR | VR7 |
| 1 | 71190903 | 20KB SNGL 12MM HOR | VR3 |
| 1 | 71190908 | 250KB SNGL 12MM HOR | VR4 |
| 3 | 71190910 | 1M5A SNGL 12MM HOR | VR1 VR2 VR6 |
| 1 | 71190911 | 1M15A SNGL 12MM HOR | VR5 |
| 1 | 71191012 | 1MB SNGL 12MM HOR | VR8 |
| 2 | 71322277 | RELAY 12V DPDT .5A | SK101 SK102 |
| 1 | 71322289 | SWITCH DPDT PP 3.3MM PC H | S1 |
| 1 | 71322328 | SWITCH 2P3T SLIDE PC V | S2 |
| 3 | 71466217 | STEREO HID JACK NINS W/SPD | J5 J6 J7 |
| 4 | 71466322 | JACK, MONO R/A 1/4" 6.5MM NINS | J1 J2 J3 J4 |
| 1 | 73711811 | PIN-F .093 MOLEX PC-MNT | P29 |
| 6 | 73711812 | PIN-M .093 MOLEX PC-MNT | P8 P9 P10 P11 P12 P13 |
| 6 | 73713813 | WR-TO-BD CRIMP TERM 18GA | P1 P2 P3 P4 P5 P6 |

8 73716194 SPADE .250 PC MNT .093 P19 P20 P21 P22
P23 P24 P25 P26

3 73717003 1 STAKE PIN .045 .625 TIN P14 P15 P16
2 73717052 3 HDR V SR .100" TIN P400 P500
2 73719080 3 HDR H SR .100" TIN LK P401 P501

84 JUMPER ???
JMP1 JMP2 JMP3 JMP4
JMP5 JMP6 JMP7 JMP8
JMP9 JMP10 JMP11 JMP12
JMP13 JMP14 JMP15 JMP16
JMP17 JMP18 JMP19 JMP20
JMP21 JMP22 JMP23 JMP24
JMP25 JMP26 JMP27 JMP28
JMP29 JMP30 JMP31 JMP32
JMP33 JMP34 JMP35 JMP36
JMP37 JMP38 JMP39 JMP40
JMP41 JMP42 JMP43 JMP44
JMP45 JMP46 JMP47 JMP48
JMP49 JMP50 JMP51 JMP52
JMP53 JMP54 JMP55 JMP56
JMP57 JMP58 JMP59 JMP60
JMP61 JMP62 JMP63 JMP64
JMP65 JMP66 JMP67 JMP68
JMP69 JMP70 JMP71 JMP72
JMP73 JMP74 JMP75 JMP76
JMP77 JMP78 JMP79 JMP80
JMP81 JMP82 JMP83 JMP84

1 PCB_PAD100 PCB PAD .100" OD .053" ID HW10
5 TAB_VCI ??? TAB1 TAB2 TAB3 TAB4
TAB7

END OF BILL OF MATERIAL REPORT
