



PEAVEY[®]

SERVICE MANUAL

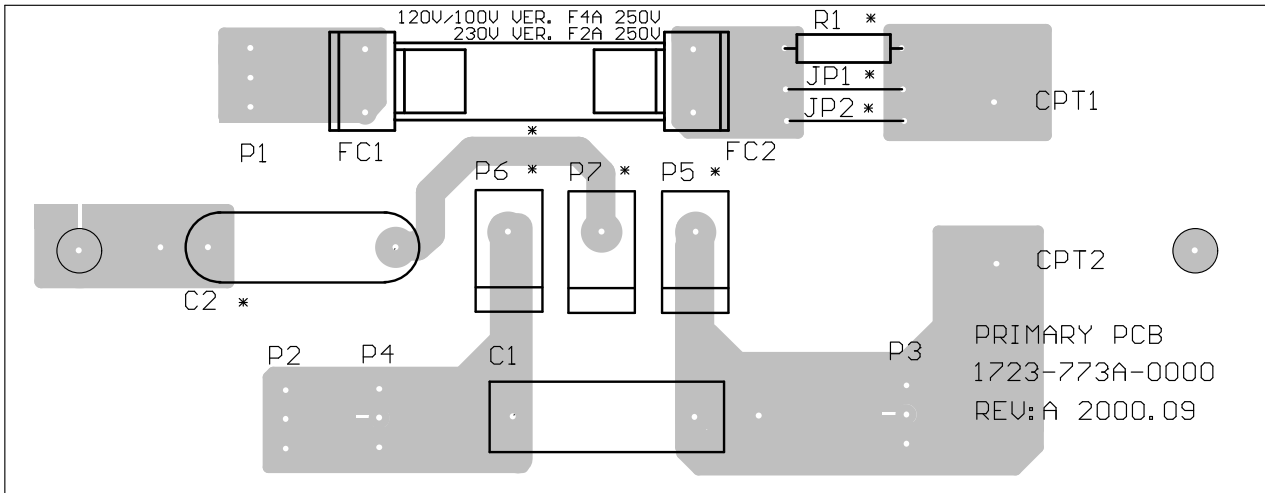
BANDIT[®] ***112***

CONTENTS

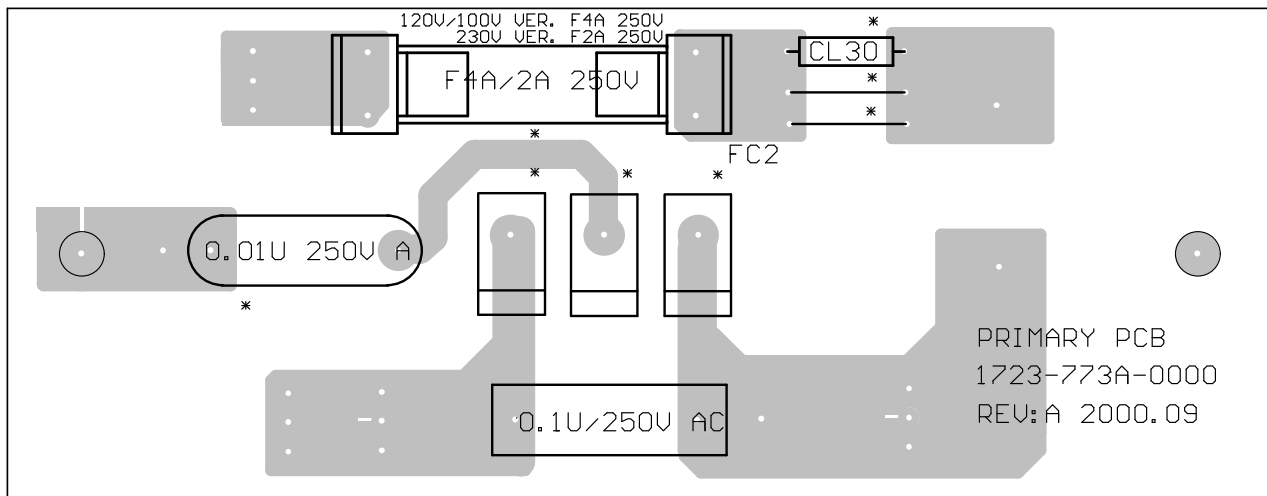
PCB Layout2-6
Schematic Diagrams7-10
Parts List11-20
Exploded View • Parts List21-22

PCB LAYOUT

Primary PCB - Top Side

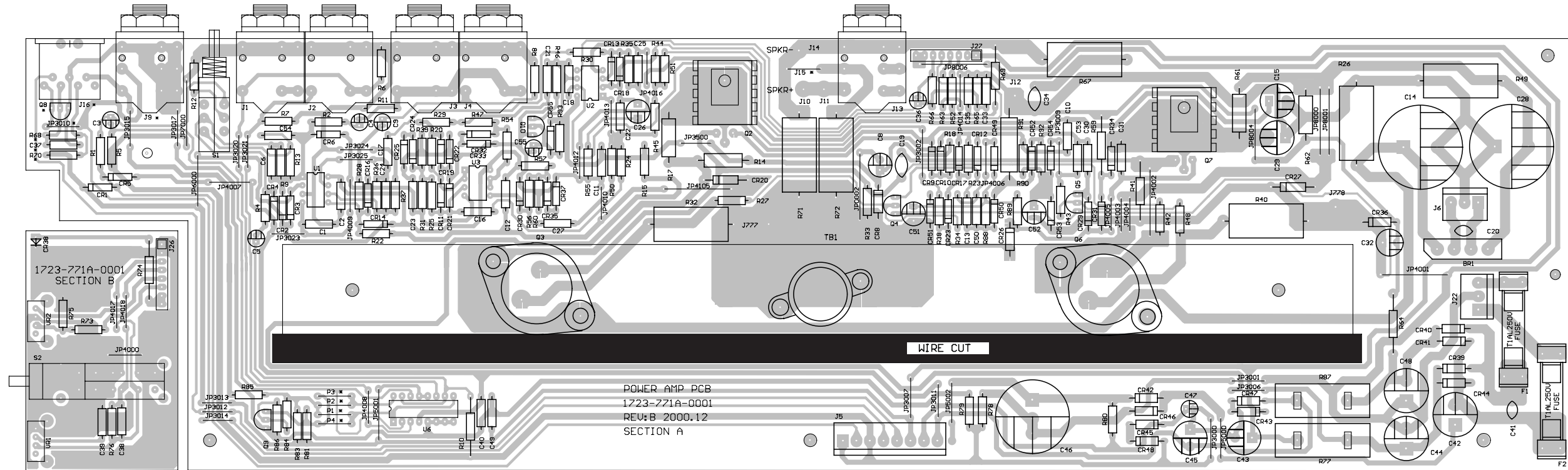


Primary PCB - Value Side

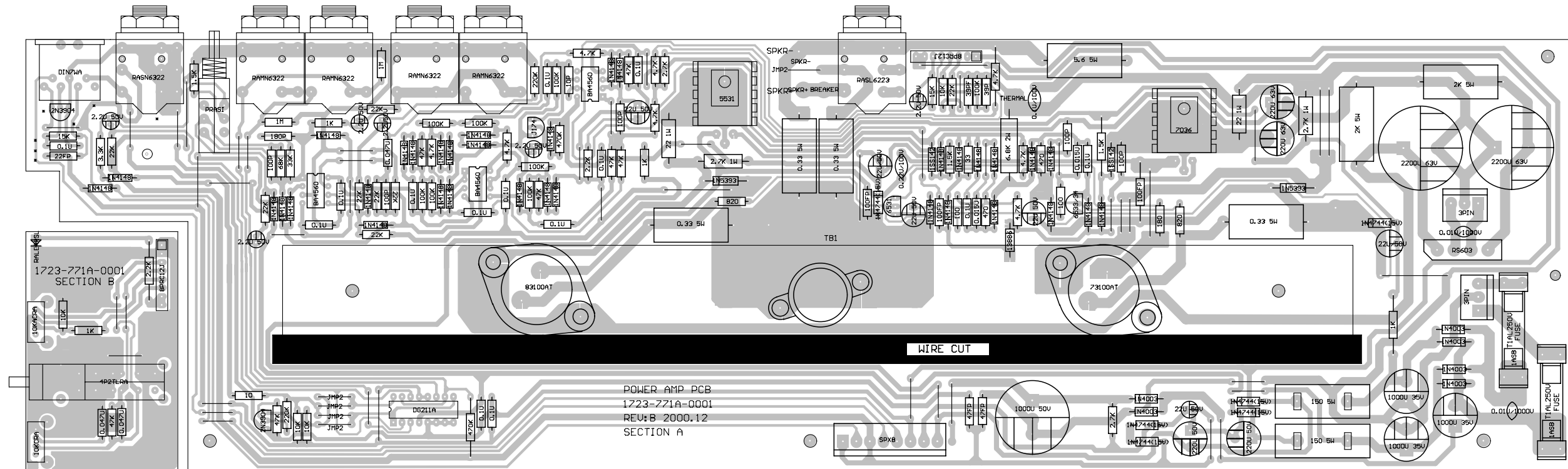


PCB LAYOUT

Power AMP PCB - Top Side

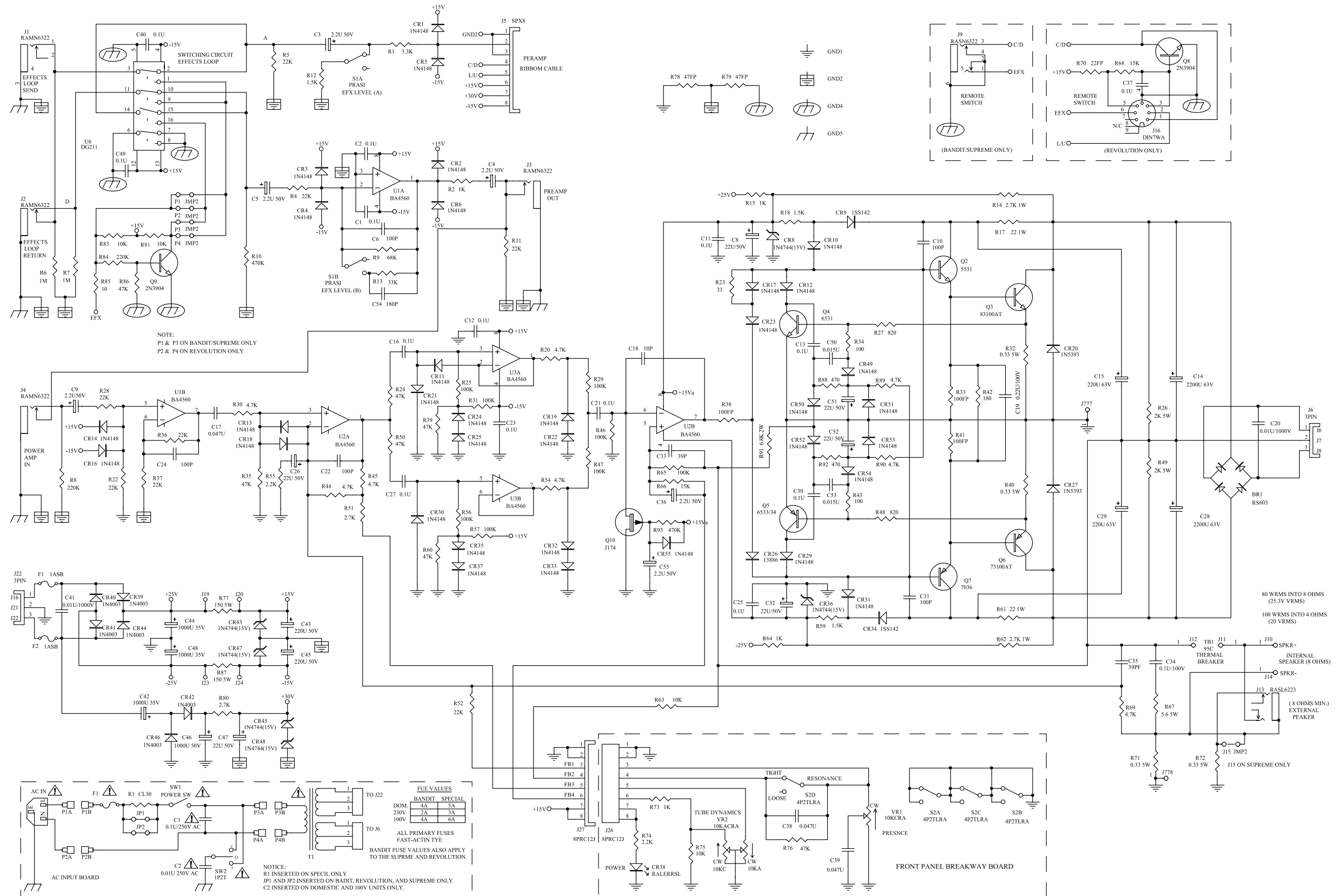


Power AMP PCB - Value Side



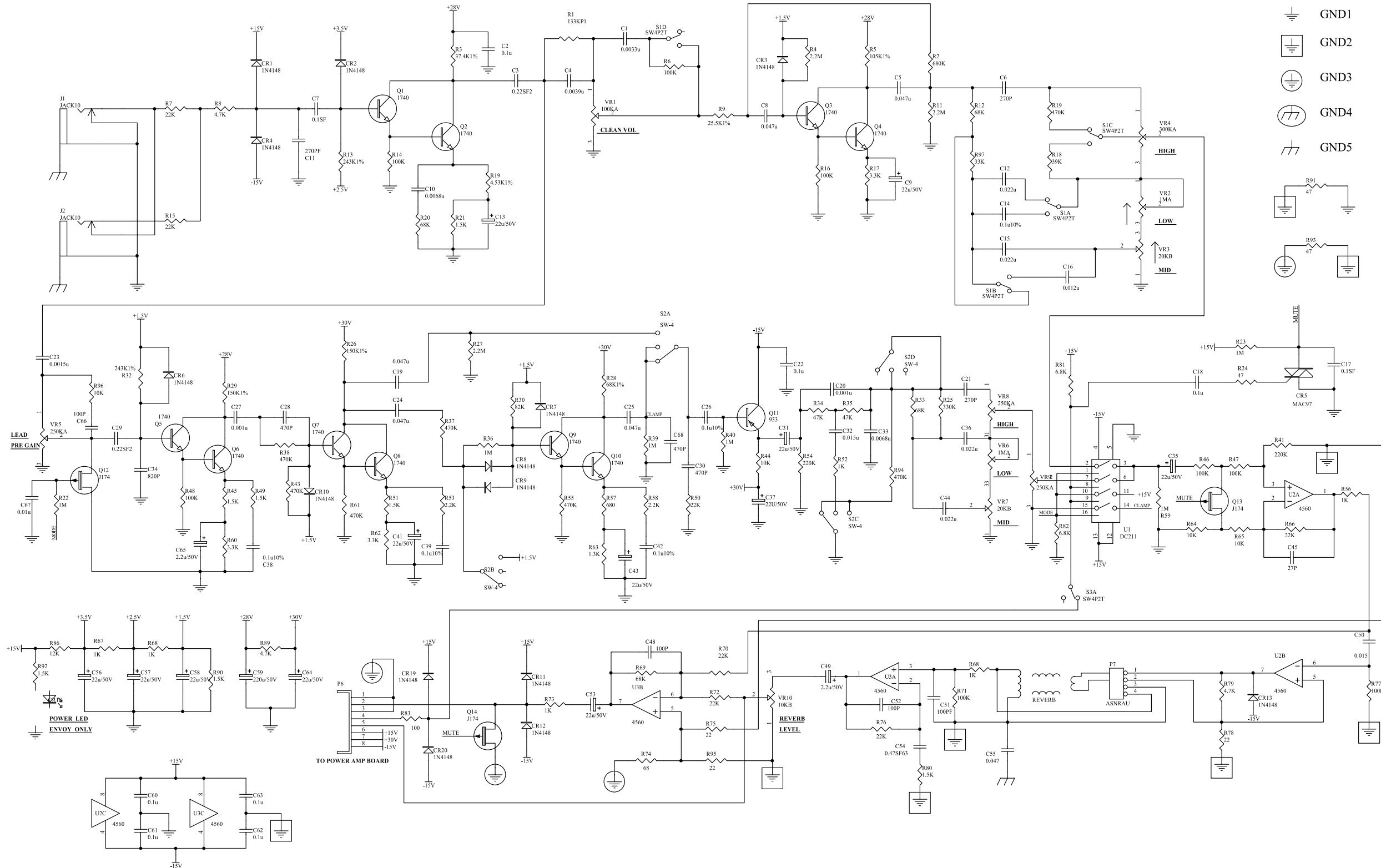
SCHEMATIC DIAGRAM

Power AMP



SCHEMATIC DIAGRAM

Pre AMP



PARTS LIST

Ref. NO.	Description	Mfr's Part No.
<u>POWER AMP ASSEMBLY</u>		
<u>CAPACITORS</u>		
C1, C2	CC 50V 0.1µF 10% AT	150F-104K-2-FC
C3-C5	CE 50V 2.2µF 20% RL 5x11	157F-225M-5-IU
C6	CC 50V 100pF 10% AT 3.5x	150F-101K-2-FC
C8	CE 50V 22µF 20% RL 5X11	157F-226M-5-IU
C9	CE 50V 2.2µF 20% RL 5x11	157F-225M-5-IU
C10	CC 50V 100pF 10% AT 3.5x	150F-101K-2-FC
C11-C13	CC 50V 0.1µF 10% AT	150F-104K-2-FC
C14	CE 63V 2200µF 20% RL	157I-228M-5-&&
C15	CE 63V 220µF 20% RL	157I-227M-5-S9
C16	CC 50V 0.1µF 10% AT	150F-104K-2-FC
C17	CC 50V 0.047µF 10% AT	150F-473K-2-FD
C18	CC 50V 10pF 5% AT 3.5x2	150F-100J-2-FC
C19	CM 100V 0.22µ 5% RL 8X9	153H-224J-5-OQM
C21	CC 50V 0.1µF 10% AT	150F-104K-2-FC
C20	CC 1000V 0.01µF +/-20% RL	8910-0484-0
C22	CC 50V 100pF 10% AT 3.5x	150F-101K-2-FC
C23	CC 50V 0.1µF 10% AT	150F-104K-2-FC
C24	CC 50V 100pF 10% AT 3.5x	150F-101K-2-FC
C25	CC 50V 0.1µF 10% AT	150F-104K-2-FC
C26	CE 50V 22µF 20% RL 5X11	157F-226M-5-IU
C27	CC 50V 0.1µF 10% AT	150F-104K-2-FC
C28	CE 63V 2200µF 20% RL	157I-228M-5-&&
C29	CE 63V 220µF 20% RL	157I-227M-5-S9
C30	CC 50V 0.1µF 10% AT	150F-104K-2-FC
C31	CC 50V 100pF 10% AT 3.5x	150F-101K-2-FC
C32	CE 50V 22µF 20% RL 5X11	157F-226M-5-IU
C33	CC 50V 39pF 5% AT 3.5x2	150F-390J-2-FC
C34	CM 100V 0.1µF 10% RL	153H-104K-5-QUA
C36	CE 50V 2.2µF 20% RL 5x11	157F-225M-5-IU
C35	CC 50V 39pF 5% AT 3.5x2	150F-390J-2-FC
C38, C39	CC 50V 0.047µF 10% AT	150F-473K-2-FD
C40	CC 50V 0.1µF 10% AT	150F-104K-2-FC
C41	CC 1000V 0.01µF +/-20% RL	8910-0484-0
C42	CE 35V 1000µF 20% RL	157Q-108M-5-X9E
C43	CE 50V 220µF 20% RL	157F-227M-5-S5
C44	CE 35V 1000µF 20% RL	157Q-108M-5-X9E
C45	CE 50V 220µF 20% RL	157F-227M-5-S5
C46	CE 50V 1000µF 20% RL	157F-108M-5-W9
C47	CE 50V 22µF 20% RL 5X11	157F-226M-5-IU
C48	CE 35V 1000µF 20% RL	157Q-108M-5-X9E
C49	CC 50V 0.1µF 10% AT	150F-104K-2-FC
C50	CC 50V 0.015µF 10% AT	150F-153K-2-FD
C51, C52	CE 50V 22µF 20% RL 5X11	157F-226M-5-IU
C53	CC 50V 0.015µF 10% AT	150F-153K-2-FD
C54	CC 50V 180PF 10% AT	150F-181K-2-FC
C55	CE 50V 2.2µF 20% RL 5x11	157F-225M-5-IU

PARTS LIST

Ref. No.	Description	Mfr's Part No.
DIODES		
BR1	DIODE BRIDGE RECT. RS603	4840-0350-0
CR1-CR6	DIODE 1N4148 ATS	4804-1480-C
CR8	DZ 1W 15V AT TEMIC	4838-15V6-2
CR9	DIODE 1-SS-244T-72 AT	4840-7010-1
CR10-CR14, CR16-CR19	DIODE 1N4148 ATS	4804-1480-C
CR20	DIODE 1N5393 200V 1.5A	4805-3930-2
CR21-CR25	DIODE 1N4148 ATS	4804-1480-C
CR26	DIODE DUAL SZ-13886-2	4840-7020-0
CR27	DIODE 1N5393 200V 1.5A	4805-3930-2
CR29-CR33	DIODE 1N4148 ATS	4804-1480-C
CR34	DIODE 1-SS-244T-72 AT	4840-7010-1
CR35	DIODE 1N4148 ATS	4804-1480-C
CR36	DZ 1W 15V AT TEMIC	4838-15V6-2
CR37	DIODE 1N4148 ATS	4804-1480-C
CR39-CR42	DIODE IN4003 AT	4804-0030-2
CR43	DZ 1W 15V AT TEMIC	4838-15V6-2
CR44-CR46	DIODE IN4003 AT	4804-0030-2
CR45,CR47,CR48	DZ 1W 15V AT TEMIC	4838-15V6-2
CR49-CR55	DIODE 1N4148 ATS	4804-1480-C
LED		
CR38	LED 3MM RED	3700-2522-R
FUSES		
F1-F2	FUSE T1A 250V 6.4X31.8MM	5120-0205-0
JACKS		
J1-J4	JACK SOCKET (MONO)	2113-1343-0
J5	8P PIN CONNECTOR P=3.96	2101-1811-0
J6	JM2422-3M WAFER	2101-9400-0
J9, J13	JACK SOCKET (STEREO)	2113-1344-0
J22	JM2422-3M WAFER	2101-9400-0
MISCELLANEOUS		
F1-F2	FUSE CLIP	4134-9141-0
J10	SPEAKER WIRE ROR	7010-2213-0
J11-J12	SA083C-WIRE-D	7010-2153-0
J14	SPEAKER WIRE ROR	7010-2213-0
J26-J27	FLAT WIRE 8-PIN 290MM	7408-1290-23
TRANSISTORS		
Q2	TR SJE-5331 NPN MOTOROLA	4860-5170-5
Q3	TR SJ-83100 NPN 3A 100V	4860-5130-5
Q4	MPS-6531	4860-5280-5
Q5	MPS-6533/34	4860-5290-5
Q6	TR SJ-73100 PNP 3A 100V	4860-5120-5
Q7	TR SJE-7036/5332 PNP	4860-5180-5
Q9	TR 2N3904 SAMSUNG	4853-9040-5
Q10	FET J-174 P-CHANNEL IDSS	490J-1740-5

PARTS LIST

Ref. No.	Description	Mfr's Part No.
RESISTORS		
R1	RCF 1/4W 3.3K 5% AT	4705-332J-2
R2	RCF 1/4W 1K 5% AT	4705-102J-2
R4, R5	RCF 1/4W 22K 5% AT	4705-223J-2
R6, R7	RCF 1/4W 1M 5% AT	4705-105J-2
R8	RCF 1/4W 220K 5% AT	4705-224J-2
R9	RCF 1/4W 68K 5% AT	4705-683J-2
R10	RCF 1/4W 470K 5% AT	4705-474J-2
R11	RCF 1/4W 22K 5% AT	4705-223J-2
R12	RCF 1/4W 1.5K 5% AT	4705-152J-2
R13	RCF 1/4W 33K 5% AT	4705-333J-2
R14	RMF 1W 2.7K 5% AT METAL	4718-272J-2-X
R15	RCF 1/4W 1K 5% AT	4705-102J-2
R17	RMF 1W 22R 5% AT METAL	4718-220J-2-X
R18	RCF 1/4W 1.5K 5% AT	4705-152J-2
R20	RCF 1/4W 4.7K 5% AT	4705-472J-2
R22	RCF 1/4W 22K 5% AT	4705-223J-2
R23	RCF 1/4W 33R 5% AT	4705-330J-2
R24	RCF 1/4W 47K 5% AT	4705-473J-2
R25	RCF 1/4W 100K 5% AT	4705-104J-2
R26	RWR 5W 2K OHM 5% AL	474B-202J-1
R27	RCF 1/4W 820R 5% AT	4705-821J-2
R28	RCF 1/4W 22K 5% AT	4705-223J-2
R29	RCF 1/4W 100K 5% AT	4705-104J-2
R30	RCF 1/4W 4.7K 5% AT	4705-472J-2
R31	RCF 1/4W 100K 5% AT	4705-104J-2
R32, R40	RWR 5W 0.33 OHM 5% AL	474B-R33J-1
R33	RMF 1/4W 100R 5% AT FP	4715-101J-2-P
R34	RCF 1/4W 100R 5% AT	4705-101J-2
R35	RCF 1/4W 47K 5% AT	4705-473J-2
R36-R37	RCF 1/4W 22K 5% AT	4705-223J-2
R38	RMF 1/4W 100R 5% AT FP	4715-101J-2-P
R39	RCF 1/4W 47K 5% AT	4705-473J-2
R41	RMF 1/4W 100R 5% AT FP	4715-101J-2-P
R42	RCF 1/4W 180R 5% AT	4705-181J-2
R43	RCF 1/4W 100R 5% AT	4705-101J-2
R44-R45	RCF 1/4W 4.7K 5% AT	4705-472J-2
R46-R47	RCF 1/4W 100K 5% AT	4705-104J-2
R48	RCF 1/4W 820R 5% AT	4705-821J-2
R49	RWR 5W 2K OHM 5% AL	474B-202J-1
R50	RCF 1/4W 47K 5% AT	4705-473J-2
R51	RCF 1/4W 2.7K 5% AT	4705-272J-2
R52	RCF 1/4W 22K 5% AT	4705-223J-2
R54	RCF 1/4W 4.7K 5% AT	4705-472J-2
R55	RCF 1/4W 2.2K 5% AT	4705-222J-2
R56-R57	RCF 1/4W 100K 5% AT	4705-104J-2
R59	RCF 1/4W 1.5K 5% AT	4705-152J-2
R60	RCF 1/4W 47K 5% AT	4705-473J-2
R61	RMF 1W 22R 5% AT METAL	4718-220J-2-X
R62	RMF 1W 2.7K 5% AT METAL	4718-272J-2-X

PARTS LIST

Ref. No.	Description	Mfr's Part No.
R63	RCF 1/4W 10K 5% AT	4705-103J-2
R64	RCF 1/4W 1K 5% AT	4705-102J-2
R65	RCF 1/4W 100K 5% AT	4705-104J-2
R66	RCF 1/4W 15K 5% AT	4705-153J-2
R67	RWR 5W 5.6 OHM 5% AL	474B-5R6J-1
R69	RCF 1/4W 4.7K 5% AT	4705-472J-2
R71, R72	RWR 5W 0.33 OHM 5% AL	474B-R33J-1
R73	RCF 1/4W 1K 5% AT	4705-102J-2
R74	RCF 1/4W 2.2K 5% AT	4705-222J-2
R75	RCF 1/4W 10K 5% AT	4705-103J-2
R76	RCF 1/4W 47K 5% AT	4705-473J-2
R77, R87	RWR 5W 150 OHM 5% RL	474B-151J-5
R78-R79	RMF 1/4W 47R 5% AT FP	4715-470J-2-P
R80	RCF 1/4W 2.7K 5% AT	4705-272J-2
R81-R83	RCF 1/4W 10K 5% AT	4705-103J-2
R84	RCF 1/4W 220K 5% AT	4705-224J-2
R85	RCF 1/4W 10R 5% AT	4705-100J-2
R86	RCF 1/4W 47K 5% AT	4705-473J-2
R88	RCF 1/4W 470R 5% AT	4705-471J-2
R89	RCF 1/4W 4.7K 5% AT	4705-472J-2
R90	RCF 1/4W 4.7K 5% AT	4705-472J-2
R91	RMF 2W 6.8K 5% ATS METAL	4719-682J-C-X
R92	RCF 1/4W 470R 5% AT	4705-471J-2
R93	RCF 1/4W 470K 5% AT	4705-474J-2
SWITCHES		
S1	SWITCH PBS-22H01(L) F18	5200-9175-0
S2	SW 4P2T-LS-1842022-A	5200-3620-0
TB1	THERMAL SW US-602SXRFL	5200-3708-0
ICs		
U1-U3	IC UPC4560C-DUAL OP. AMP	3130-2010-0
U6	IC DG211CJ ANALOG SWITCH	3131-6770-0
VOLUMES		
VR1	VR XVB12102PHJN15FS-15C	4750-5495-0
VR2	VR XVB12102PHJN15FS-15A	4750-5485-0
PRE-AMP ASSEMBLY		
CAPACITORS		
C1	CM 50V 3300pF 10% RL 6x1	153F-332K-5-KW
C2	CC 50V 0.1µF 10% AT	150F-104K-2-FC
C3	CM 100V 0.22µF 10% RL	153H-224K-5-VYA
C4	CM 50V 3900pF 5%	153F-392J-5-KW
C5	CM 50V 0.047µF 5% RL	153F-473J-5-NR
C6	CC 50V 270pF 10% AT 3.5x	150F-271K-2-FC
C7	CM 100V 0.1µF 10% RB	153H-104K-9-NL
C8	CM 50V 0.047µF 5% RL	153F-473J-5-NR
C9	CE 50V 22µF 20% RL 5X11	157F-226M-5-IU
C10	CM 50V 6800pF 5% RL 5.5x	153F-682J-5-JQ

PARTS LIST

Ref. No.	Description	Mfr's Part No.
C11	CC 50V 270pF 10% AT 3.5x	150F-271K-2-FC
C12	CC 50V 0.022μF 10% AT	150F-223K-2-FD
C13	CE 50V 22μF 20% RL 5X11	157F-226M-5-IU
C14	CC 50V 0.1μF 10% AT	150F-104K-2-FC
C15	CC 50V 0.022μF 10% AT	150F-223K-2-FD
C16	CM 50V 0.012μF 5% RL	153F-123J-5-KMF
C17	CM 100V 0.1μF 10% RB	153H-104K-9-NL
C18	CC 50V 0.1μF 10% AT	150F-104K-2-FC
C19	CC 50V 0.047μF 10% AT	150F-473K-2-FD
C20	CC 50V 1000pF 10% AT 3.5	150F-102K-2-FC
C21	CC 50V 270pF 10% AT 3.5x	150F-271K-2-FC
C22	CC 50V 0.1μF 10% AT	150F-104K-2-FC
C23	CM 50V 1500PF 5% RL	153F-152J-5-JM
C24, C25	CC 50V 0.047μF 10% AT	150F-473K-2-FD
C26	CC 50V 0.1μF 10% AT	150F-104K-2-FC
C27	CC 50V 1000pF 10% AT 3.5	150F-102K-2-FC
C28	CC 50V 470pF 10% AT 3.5x	150F-471K-2-FC
C29	CM 100V 0.22μF 10% RL	153H-224K-5-VYA
C30	CC 50V 470pF 10% AT 3.5x	150F-471K-2-FC
C31	CE 50V 22μF 20% RL 5X11	157F-226M-5-IU
C32	CC 50V 0.015μF 10% AT	150F-153K-2-FD
C33	CC 50V 0.0068μF 10% AT	150F-682K-2-FD
C34	CC 50V 820pF 10% AT 3.5x	150F-821K-2-FC
C35	CE 50V 22μF 20% RL 5X11	157F-226M-5-IU
C36	CC 50V 0.022μF 10% AT	150F-223K-2-FD
C37	CE 50V 22μF 20% RL 5X11	157F-226M-5-IU
C38, C39	CC 50V 0.1μF 10% AT	150F-104K-2-FC
C41	CE 50V 22μF 20% RL 5X11	157F-226M-5-IU
C42	CC 50V 0.1μF 10% AT	150F-104K-2-FC
C43	CE 50V 22μF 20% RL 5X11	157F-226M-5-IU
C44	CC 50V 0.022μF 10% AT	150F-223K-2-FD
C45	CC 50V 27pF 5% RL 4x4	150F-270J-5-GG
C48	CC 50V 100pF 10% AT 3.5x	150F-101K-2-FC
C49	CE 50V 2.2μF 20% RL 5x11	157F-225M-5-IU
C50	CC 50V 0.015μF 10% AT	150F-153K-2-FD
C51, C5	CC 50V 100pF 10% AT 3.5x	150F-101K-2-FC
C53	CE 50V 22μF 20% RL 5X11	157F-226M-5-IU
C54	CM 63V 0.47μF 5% RL 7.5x	153I-474J-5-NO
C55	CC 50V 0.047μF 10% AT	150F-473K-2-FD
C56-C58	CE 50V 22μF 20% RL 5X11	157F-226M-5-IU
C59	CE 50V 220μF 20% RL	157F-227M-5-S5
C60-C63	CC 50V 0.1μF 10% AT	150F-104K-2-FC
C64	CE 50V 22μF 20% RL 5X11	157F-226M-5-IU
C65	CE 50V 2.2μF 20% RL 5x11	157F-225M-5-IU
C66	CC 50V 100pF 10% AT 3.5x	150F-101K-2-FC
C67	CC 50V 0.01μF 10% AT 3.5	150F-103K-2-FC
C68	CC 50V 470pF 10% AT 3.5x	150F-471K-2-FC
DIODES		
CR1-CR4, CR6-CR13	DIODE 1N4148 ATS	4804-1480-C

PARTS LIST

Ref. No.	Description	Mfr's Part No.
CR19, CR20	DIODE 1N4148 ATS	4804-1480-C
SOCKETS		
J1, J2	JACK SOCKET (MONO)	2113-1343-0
P7	JM2422-4R WAFER	2101-9920-0
TRANSISTORS		
Q1-Q10	TR 2SC1740SLN 'R' HFE	4860-5370-5
Q11	TR 2SA933ASLN 'R' HFE	4860-5380-5
Q12-Q14	FET J-174 P-CHANNEL IDSS	490J-1740-5
RESISTORS		
R1	RMF 1/4W 133K 1% AT	4715-1333-2
R2	RCF 1/4W 680K 5% AT	4705-684J-2
R3	RMF 1/4W 37.4K 1% AT	4715-3742-2
R4	RCF 1/4W 2.2M 5% AT	4705-225J-2
R5	RMF 1/4W 105K 1% AT	4715-1053-2
R6	RCF 1/4W 100K 5% AT	4705-104J-2
R7	RCF 1/4W 22K 5% AT	4705-223J-2
R8	RCF 1/4W 4.7K 5% AT	4705-472J-2
R9	RMF 1/4W 25.5K 1% AT	4715-2552-2
R10	RCF 1/4W 470K 5% AT	4705-474J-2
R11	RCF 1/4W 2.2M 5% AT	4705-225J-2
R12	RCF 1/4W 68K 5% AT	4705-683J-2
R13	RMF 1/4W 243K 1% AT	4715-2433-2
R14	RCF 1/4W 100K 5% AT	4705-104J-2
R15	RCF 1/4W 22K 5% AT	4705-223J-2
R16	RCF 1/4W 100K 5% AT	4705-104J-2
R17	RCF 1/4W 3.3K 5% AT	4705-332J-2
R18	RCF 1/4W 39K 5% AT	4705-393J-2
R19	RMF 1/4W 4.53K 1% AT	4715-4531-2
R20	RCF 1/4W 68K 5% AT	4705-683J-2
R21	RCF 1/4W 1.5K 5% AT	4705-152J-2
R22, R23	RCF 1/4W 1M 5% AT	4705-105J-2
R24	RCF 1/4W 47R 5% AT	4705-470J-2
R25	RCF 1/4W 330K 5% AT	4705-334J-2
R26	RMF 1/4W 150K 1% AT	4715-154A-2
R27	RCF 1/4W 2.2M 5% AT	4705-225J-2
R28	RMF 1/4W 68K 1% AT	4715-683A-2
R29	RMF 1/4W 150K 1% AT	4715-154A-2
R30	RCF 1/4W 82K 5% AT	4705-823J-2
R32	RMF 1/4W 243K 1% AT	4715-2433-2
R33	RCF 1/4W 68K 5% AT	4705-683J-2
R34, R35	RCF 1/4W 47K 5% AT	4705-473J-2
R36	RCF 1/4W 1M 5% AT	4705-105J-2
R37, R38	RCF 1/4W 470K 5% AT	4705-474J-2
R39, R40	RCF 1/4W 1M 5% AT	4705-105J-2
R41	RCF 1/4W 220K 5% AT	4705-224J-2
R43	RCF 1/4W 470K 5% AT	4705-474J-2
R44	RCF 1/4W 10K 5% AT	4705-103J-2

PARTS LIST

Ref. No.	Description	Mfr's Part No.
R45	RCF 1/4W 1.5K 5% AT	4705-152J-2
R46-R48	RCF 1/4W 100K 5% AT	4705-104J-2
R49	RCF 1/4W 1.5K 5% AT	4705-152J-2
R50	RCF 1/4W 22K 5% AT	4705-223J-2
R51	RCF 1/4W 1.5K 5% AT	4705-152J-2
R52	RCF 1/4W 1K 5% AT	4705-102J-2
R53	RCF 1/4W 2.2K 5% AT	4705-222J-2
R54	RCF 1/4W 220K 5% AT	4705-224J-2
R55	RCF 1/4W 470K 5% AT	4705-474J-2
R56	RCF 1/4W 1K 5% AT	4705-102J-2
R57	RCF 1/4W 680R 5% AT	4705-681J-2
R58	RCF 1/4W 2.2K 5% AT	4705-222J-2
R59	RCF 1/4W 1M 5% AT	4705-105J-2
R60	RCF 1/4W 3.3K 5% AT	4705-332J-2
R61	RCF 1/4W 470K 5% AT	4705-474J-2
R62	RCF 1/4W 3.3K 5% AT	4705-332J-2
R63	RMF 1/4W 1.3K 1% AT	4715-132A-2
R64, R65	RCF 1/4W 10K 5% AT	4705-103J-2
R66	RCF 1/4W 22K 5% AT	4705-223J-2
R68	RCF 1/4W 1K 5% AT	4705-102J-2
R69	RCF 1/4W 68K 5% AT	4705-683J-2
R70	RCF 1/4W 22K 5% AT	4705-223J-2
R71	RCF 1/4W 100K 5% AT	4705-104J-2
R72	RCF 1/4W 22K 5% AT	4705-223J-2
R73	RCF 1/4W 1K 5% AT	4705-102J-2
R74	RCF 1/4W 68R 5% AT	4705-680J-2
R75	RCF 1/4W 22R 5% AT	4705-220J-2
R76	RCF 1/4W 22K 5% AT	4705-223J-2
R77	RCF 1/4W 100K 5% AT	4705-104J-2
R78	RCF 1/4W 22R 5% AT	4705-220J-2
R79	RCF 1/4W 4.7K 5% AT	4705-472J-2
R80	RCF 1/4W 1.5K 5% AT	4705-152J-2
R81, R82	RCF 1/4W 6.8K 5% AT	4705-682J-2
R83	RCF 1/4W 100R 5% AT	4705-101J-2
R86	RCF 1/4W 12K 5% AT	4705-123J-2
R87, R88	RCF 1/4W 1K 5% AT	4705-102J-2
R89	RCF 1/4W 4.7K 5% AT	4705-472J-2
R90	RCF 1/4W 1.5K 5% AT	4705-152J-2
R91	RCF 1/4W 47R 5% AT	4705-470J-2
R92	RCF 1/4W 1.5K 5% AT	4705-152J-2
R93	RCF 1/4W 47R 5% AT	4705-470J-2
R94	RCF 1/4W 470K 5% AT	4705-474J-2
R95	RCF 1/4W 22R 5% AT	4705-220J-2
R96	RCF 1/4W 10K 5% AT	4705-103J-2
R97	RCF 1/4W 33K 5% AT	4705-333J-2
SWITCHES		
S1	SW 4P2T-LS-1842022-A	5200-3620-0
S2	SW 4P3T-LS-1843D22-A	5200-3621-0
S3	SW 4P2T-LS-1842022-A	5200-3620-0

PARTS LIST

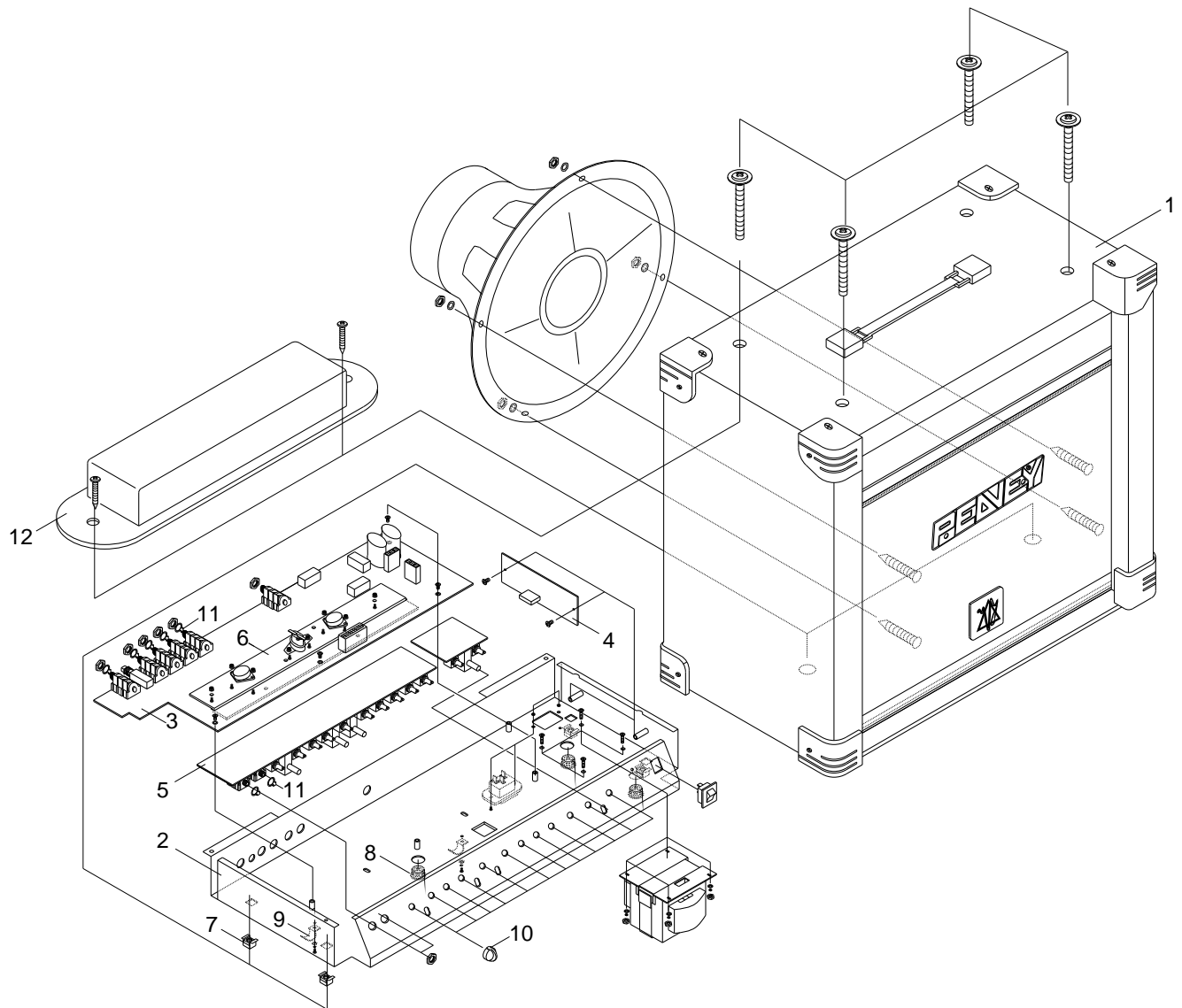
Ref. No.	Description	Mfr's Part No.
P6	8 PIN CONNECTOR	7010-9850-0
ICs		
CR5	IC TRIAC MAC97A-6 400V	3131-3430-0
U1	IC DG211CJ ANALOG SWITCH	3131-6770-0
U2, U3	IC UPC4560C-DUAL OP. AMP	3130-2010-0
VOLUMES		
VR1	VR XVB12102PHJN15FS-15A	4750-5465-0
VR2	VR XVB12102PHJN15FS-05A1	4750-5415-0
VR3	VR XVB12102PHJN15FS-1B20	4750-5425-0
VR4	VR XVB12102PHJN15FS-25AM	4750-5455-0
VR5	VR XVB12102PHJN15FS-05A	4750-5435-0
VR6	VR XVB12102PHJN15FS-05A1	4750-5415-0
VR7	VR XVB12102PHJN15FS-1B20	4750-5425-0
VR8-VR9	VR XVB12102PHJN15FS-1B	4750-5445-0
VR10	VR XVB12102PHJN15FS-1B10	4750-5475-0
<u>PRIMART ASSEMBLY</u>		
CAPACITOR		
C1	CM 275V 0.1UF 20% RL 18X	153Z-104M-5-7W
MISCELLANEOUS		
CPT1, CPT2	UL1672 #18 RED WIRE	7010-2232-0
FC1, FC2	FUSE CLIP	4134-9141-0
P1	UL1672 #18 RED WIRE	7010-2232-0
P2	UL1672 #18 BLACK WIRE	7010-2233-0
<u>CASING ASSEMBLY</u>		
	CHASSIS PE017C	1403-6321-0
	X'FORMER I/P230V O/P	1806-2509-0
*EU	PRODUCT LABEL(EU) PE018C	3000-4821-0
*EU	SERIAL LABEL(EU) PE018C	3000-4830-0
*EU	PRODUCT LABEL(EU) PE018C	3000-4849-0
*MD	PRODUCT LABEL PE01EC	3000-4983-0
*MD	PRODUCT LABEL SMALL	3000-4986-0
*MD	SERIAL LABEL	3000-4989-0
	FUSE F2A 250V 6.4X31.8MM	5120-0204-0
	AC CORD SET 3M 3X0.75	7010-9810-0
	REVERB SHEET	1450-4830-0
KNOB 1	POWER KNOB 1653-6	1453-1910-0
CR26	OIL SLEEVE ID=1MM	1660-0010-0
	SHRINKAGE TUBE ID=5	1660-0620-0
SWITCH	SHRINKAGE TUBE ID=25mm	1660-1100-0
	AC INLET	2113-1144-0
	WASHER METAL ID 3.3 OD8	2600-3005-0640
HS	FLAT WASHER M4X0.8X9.7	2600-4008-0973
TRAN	FLAT WASHER M4X0.8X9.7	2600-4008-0973
	METAL WASHER M5X0.8X10MM	2600-5008-1003
	METAL WASHER M6.5X1X17MM	2600-6510-1704

PARTS LIST

Ref. No.	Description	Mfr's Part No.
TRAN	M9 WASHER BK ZINC	2600-9005-1403
VR	M9 WASHER BK ZINC	2600-9005-1403
	I/T WASHER M3X0.5X6.4 WZ	2606-3005-0642
TRAN	SPRING WASHER M4X1X7 BZ	2607-4010-0703
HS	M3 NUT	2640-3022-0540
TRAN	NUT HEX M4	2640-4030-0704
VR	M9 NUT (BLK)	2640-9020-1203
PCB	M3X8MM BINDING HEAD	2904-3008-0000
HS	M3X10MM (YELLOW ZN)	2904-3010-0000
TRAN	SCREW M4X10 (BLK)	2904-4010-3000
	T3X8MM SELF TAPPING	2954-3008-3000
HS	SCREW TAP-C2 BH M4X 10 M	2954-4010-3000
	CAUTION LABEL	3000-8886-0
	GROUND LABEL	3000-8889-0
	MADE IN CHINA LABEL	3000-8902-0
PTRA	MICA SHEET (MJ2995)	3100-3011-0
	FLOATING NUT BRACKET	4134-8491-0
CHASSIS	CHASSIS MTG STUD	4134-8861-0
	M5 MTG PLATE	4134-8891-0
J1-2	GROUND BKT	4135-0731-0
J1-4	GROUND BKT	4135-0731-0
J9	GROUND BKT	4135-0731-0
CORD	CABLE CLAMP -15/16" BLK	4152-1912-0
	WASHER DRESS	4152-7730-0
VR	KNOB, SINGLE UNIT 2000	4152-7820-0
	PLASTIC BUSHING	4154-0261-0
SW1	POWER SWITCH ROCKER	5200-3709-0
HS1	HEATSINK IC ANODISED	5400-4071-0
HS2	HEATSINK IC ANODISED	5400-4071-0
	HEAT SINK PE010C	5400-4131-0
	PLASTIC CABLE TIE 97MM	6360-0011-0
GND1	UL1015 #18 BRN 100MM (2M	7010-2165-0
REVERB	REVERB UNIT WIRE	7010-9880-0
REV1	REVERB UNIT I/600 0/2250	8900-9060-0
<u>PACKING ASSEMBLY</u>		
	PACKING ASSY PE018C	PKG-PE018C
	PACKING ASSY PE017C	PKG-PE017C-COMM
	PALLET 1060WX1200LX180H	1420-0051-0
	CARTON SHEET	1450-4790-0
	CARTON BOX BANDIT II	1480-1014-0
	EPE CORNER	1490-9150-0
AC-CORD	POLYBAG 240X100X0.05X5	1497-0152-0
	POLYBAG 300X250X0.12	1497-1202-0
	POLYBAG	1497-7074-0
	BAR CODE LABEL	3000-8917-0
	WARRANTY CARD	3030-1241-0
	OWNER MANUAL MULTI	4301-4117-0

PARTS LIST

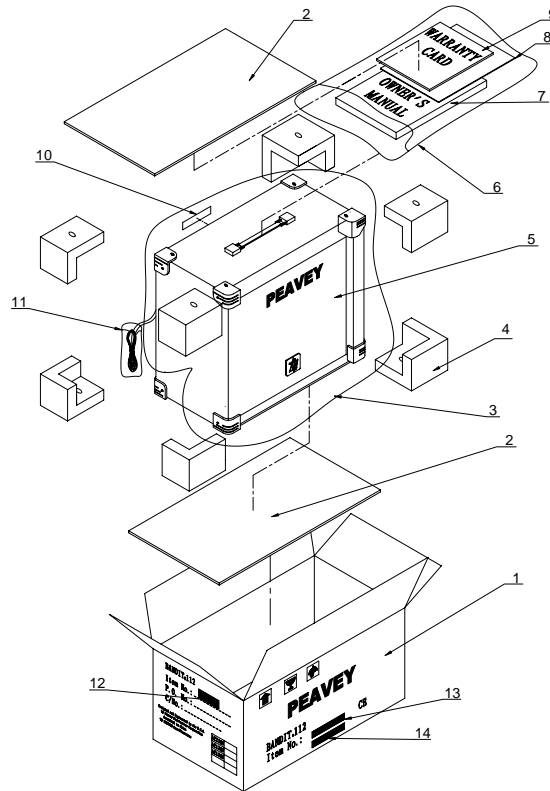
Ref. No.	Description	Mfr's Part No.
<u>SPEAKER BOX ASSEMBLY</u>		
<i>MISCELLANEOUS</i>		
SPK1	SPEAKER 12"	1525-1650-0
	INLAY GRILLE TOP PE017C	2150-6841-0
BAFFLE	METAL WASHER M5X0.8X10MM	2600-5008-1000
SPEAKER	METAL WASHER M5X0.8X10MM	2600-5008-1000
BAFFLE	Z/T WASHER M5X0.8X10mm	2606-5008-0102
SPEAKER	Z/T WASHER M5X0.8X10mm	2606-5008-0102
BAFFLE	NUT M5X0.75PX4.5T	2640-5040-0802
SPEAKER	NUT M5X0.75PX4.5T	2640-5040-0802
	SCREW 10x5/8" PA BZ	4133-3210-0
HANDLE	RETAINER,HANDLE #20355	4135-0461-0
	FOAM STRIP 80X10X1MM	4152-0661-0
BOX	EXTRUSION,GRILL,TRIM,	4152-7710-0
BOX	EXTRUSION,GRILL,TRIM,	4152-7720-0
	CORNER,TOP,FRONT,LEFT	4152-7930-0
	CORNER,TOP,FRONT,RIGHT	4152-7940-0
	CORNER,BOTTOM,FRONT,LEFT	4152-7950-0
	CORNER,BOT,FRONT.RIGHT	4152-7960-0
	CORNER,LEFT,BACK TOP,	4152-7970-0
	CORNER,RIGHT,BACK TOP,	4152-7980-0
	CORNER,BACK,BOT,TRIBBED	4152-7990-0
	WASHER,CORNER,LARGE	4152-8000-0
	PEAVEY LOGO LARGE	4154-1591-0
	LELTA LOGO LARGE	4154-1601-0
BOX	CABINET ASSY PE017C	8900-2164-0
	HANDLE,VINYL,BLACK/GRAY	8900-2170-0
<u>FOOT CONTROL ASSEMBLY</u>		
<i>MISCELLANEOUS</i>		
0204	FOOT CONTROL PANEL	1403-5100-0
0200	FOOT CONTROL COVER	1465-5501-1
0201	FOOT CONTROL BOTTOM	1465-5601-0
0110	FOOT CONTROL BOX	1480-1111-0
0109	POLYBAG 300X250X0.12	1497-1202-0
0020	METAL WASHER M12X0.6X16	2600-C006-1604
0021	STRAIN RELIEF BUSHING	4151-9461-0
0202	FOOT-STEP CONTROL SW	5200-3702-0
0203	STEREO PLUG W/SHIELD	7010-9590-1

EXPLODED VIEW • PARTS LIST**Unit Assy**

No.	Description	Mfr's Part No.	Q'ty
1	ASSEMBLY CABINET	8900-2164-0	1
2	CHASSIS	1403-6321-0	1
3	PCB BANDIT POWER AMP	1723-771A-0000	1
4	PRIMARY1.PCB	1723-773A-0000	1
5	PCB TRANS TUBE PRE-AMP	1723-768A-0000	1
6	HEAT SINK	5400-4131-0	1
7	FLOATING NUT BRACKET	4134-8491-0	4
8	PLASTIC BUSHING	4154-0261-0	3
9	CABLE CLAMP BLK	4152-1912-0	5
10	KNOB,SINGLE UNIT 2000	4152-7820-0	1
11	GROUND BKT	4135-0731-0	7
12	REVERB UNIT	8900-9060-0	1

EXPLODED VIEW • PARTS LIST

Packing Assy



No.	Description	Mfr's Part No.	Q'ty
1	CARTON BOX BANDIT II	1480-1013-0	1
2	CARTON SHEET	1450-4790-0	2
3	POLY BAG	1497-7074-0	1
4	EPE CORNER	1490-9150-0	8
5	BANDIT UNIT		1
6	POLY BAG 300*250*0.12	1497-1202-0	1
7	OWNER'S MANUAL	4301-4117-0	1
8	WARRANTY CARD ADDENDUM	3030-1243-0	1
9	WARRANTY CARD	3030-1241-0	1
10	S/N LABEL(EU)	3000-4830-0	1
	S/N LABEL(UK)	3000-4833-0	1
	S/N LABEL(Japan)	3000-4836-0	1
	S/N LABEL(Australia)	3000-4842-0	1
	S/N LABEL(North America)	3000-4879-0	1
11	POLY BAG 240*100*0.05*5	1497-0152-0	1
12	PRODUCT LABEL SMALL(EU)	3000-4849-0	2
	PRODUCT LABEL SMALL(UK)	3000-4852-0	2
	PRODUCT LABEL SMALL(Japan)	3000-4855-0	2
	PRODUCT LABEL SMALL(Australia)	3000-4858-0	2
	PRODUCT LABEL SMALL(North America)	3000-4876-0	2
13	PRODUCT LABEL (EU)	3000-4821-0	2
	PRODUCT LABEL (UK)	3000-4824-0	2
	PRODUCT LABEL (Japan)	3000-4827-0	2
	PRODUCT LABEL (Australia)	3000-4839-0	2
	PRODUCT LABEL (North America)	3000-4873-0	2
14	BAR CODE LABEL	3000-8917-0	1