

BILL OF MATERIAL REPORT

REPORT DATE/TIME: 3/16/2006 9:25:34 AM

BOARD NAME: TOUR SERIES PREAMP ASSEMBLY LEVEL NUMBER: 99092490

PROJECT NUMBER: P0500059 DESIGNER: JTH

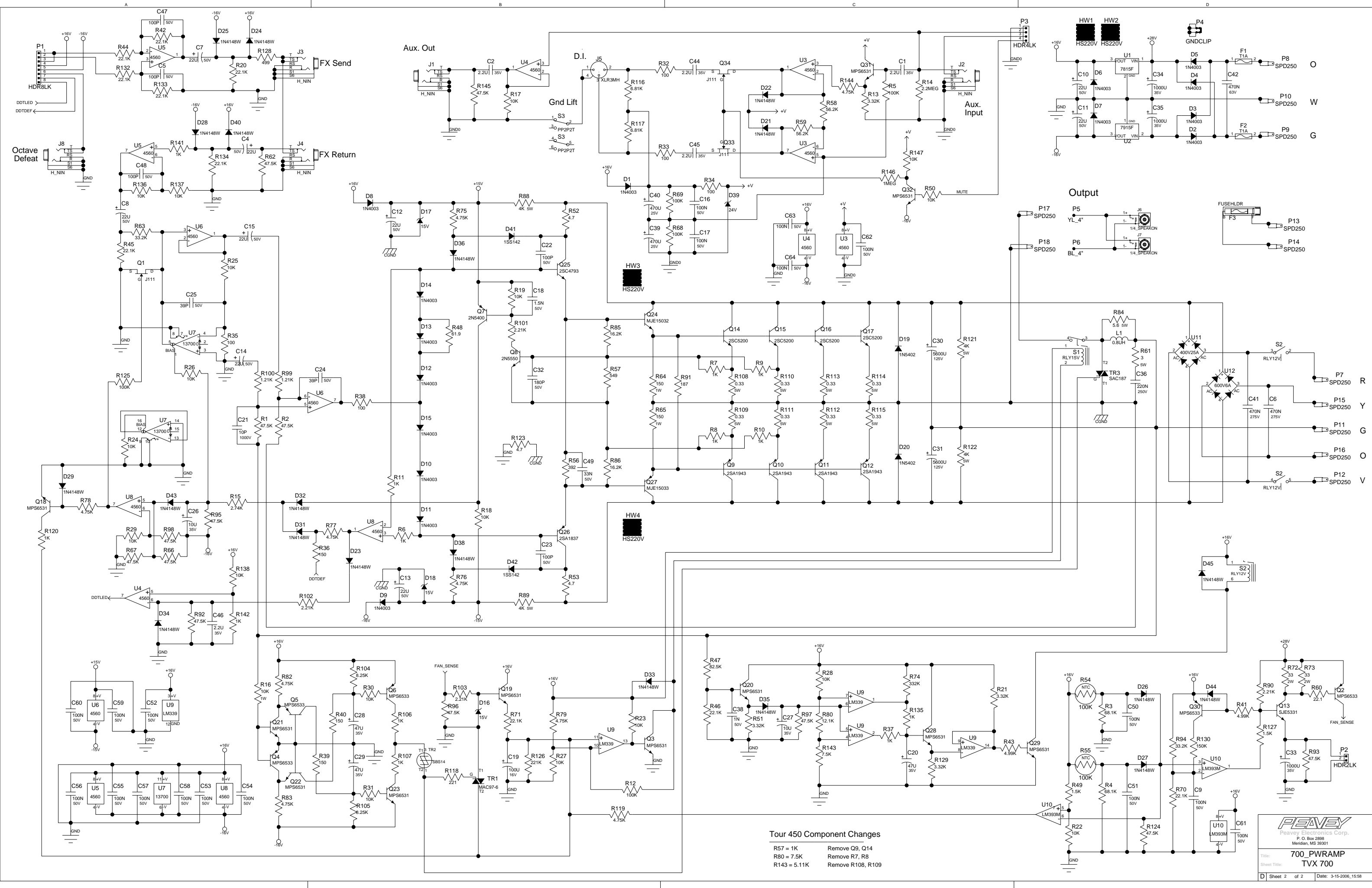
Qty.	Part #	Description	Reference Designators
1	30240010	100 1/4W 5% CF AXL	R89
1	30240013	270 1/4W 5% CF AXL	R69
11	30240018	1500 1/4W 5% CF AXL	R20 R21 R22 R23 R27 R28 R29 R39 R54 R55 R104
3	30240020	2200 1/4W 5% CF AXL	R37 R87 R90
7	30240021	2700 1/4W 5% CF AXL	R6 R19 R24 R25 R26 R36 R94
2	30240022	3300 1/4W 5% CF AXL	R58 R65
2	30240023	4700 1/4W 5% CF AXL	R80 R85
2	30240024	6800 1/4W 5% CF AXL	R4 R81
16	30240025	10K 1/4W 5% CF AXL	R7 R8 R30 R31 R32 R34 R35 R38 R52 R59 R66 R67 R68 R70 R71 R95
4	30240027	15K 1/4W 5% CF AXL	R97 R98 R99 R100
4	30240029	22K 1/4W 5% CF AXL	R47 R48 R49 R50
2	30240030	33K 1/4W 5% CF AXL	R63 R73
1	30240031	47K 1/4W 5% CF AXL	R88
1	30240032	68K 1/4W 5% CF AXL	R11
4	30240033	82K 1/4W 5% CF AXL	R9 R40 R43 R60
4	30240034	100K 1/4W 5% CF AXL	R56 R72 R82 R83

10	30240036	220K	1/4W	5%	CF	AXL	R1 R5 R12 R13 R14 R15 R16 R17 R18 R33
1	30240038	470K	1/4W	5%	CF	AXL	R84
4	30240039	1M	1/4W	5%	CF	AXL	R86 R91 R92 R96
8	30240049	8.2K	1/4W	5%	CF	AXL	R3 R45 R46 R53 R76 R77 R78 R79
1	30240114	9.09K	1/4W	1%	MF	AXL	R57
4	30240144	91.1K	1/4W	1%	MF	AXL	R10 R41 R42 R75
4	30241020	7500	1/4W	1%	MF	AXL	R2 R44 R51 R61
1	30241032	75.0K	1/4W	1%	MF	AXL	R74
1	30241077	1K	1/4W	1%	MF	AXL	R93
2	30241093	3.9K	1/4W	5%	CF	AXL	R62 R64
2	30320117	47UF	50V	20%	EL	RADH	C54 C55
3	30320180	2.2UF	50V	20%	EL	RAD	C16 C66 C67
16	30320181	22UF	50V	20%	EL	RAD	C3 C4 C5 C6 C7 C8 C9 C10 C11 C12 C13 C14 C17 C18 C19 C20
2	30320234	0.01UF	50V	2%	PE	RADH	C1 C2
1	30320261	1UF	50V	20%	EL	RAD	C24
1	30320301	0.15UF	100V	5%	PES	RAD	C82
2	30330051	0.015UF	100V	5%	PE	RADH	C53 C68
2	30330113	0.1UF	100V	10%	PPS	RAD	C83 C88
3	30330115	0.033UF	50V	5%	PE	RAD	C27 C29 C63
1	30330117	6800PF	50V	5%	PE	RAD	C49
1	30330120	1500PF	50V	5%	PE	RAD	C61
4	30330124	0.068UF	50V	5%	PE	RAD	C15 C21 C64 C65

3	30330128	0.22UF	50V	5%	PE	RAD	C22 C26 C52	
2	30330129	0.1UF	50V	5%	PE	RAD	C58 C60	
3	30330130	3300PF	50V	5%	PE	RAD	C51 C78 C80	
1	30330134	0.022UF	50V	5%	PE	RAD	C71	
4	30330136	0.047UF	50V	5%	PE	RAD	C59 C84 C85 C86	
3	30330145	0.33UF	50V	4%	PE	RAD	C56 C57 C62	
1	30330149	0.68UF	100V	5%	PES	RAD	C87	
1	30330155	0.01UF	50V	5%	PE	RAD	C81	
1	30330156	1000PF	50V	5%	PE	RAD	C23	
1	30330159	0.47UF	63V	5%	PES	RAD	C25	
3	30340054	100PF	50V	10%	NPO	AXL	C69 C70 C79	
6	30340056	180PF	50V	10%	NPO	AXL	C72 C73 C74 C75 C76 C77	
21	30340100	0.1UF	50V	80-20%	Z5U	AXL	C28 C30 C31 C32 C33 C34 C35 C36 C37 C38 C39 C40 C41 C42 C43 C44 C45 C46 C47 C48 C50	
1	30404013	CD4013	DUAL	D	FLP	FLP	DIP14	U11
5	30414560	4560	DUAL	OPAMP	DIP8			U1 U2 U3 U4 U5
5	30424560	4560	DUAL	OPAMP	SIP8			U6 U7 U8 U9 U10
2	30450034	RED	LED	T1	BULK			D5 D8
1	30450852	BLUE	T1	LED	BULK			D4
3	30460111	J111	JFET	N	35V	TO92	RAD	Q1 Q2 Q3
3	30464148	1N4148	75V	10MA	DIODE			D1 D2 D3
9	31190094	50KW	SNGL	45MM	DET	VER		VR7 VR8 VR9 VR10 VR11 VR12 VR13 VR14 VR15
3	31190336	10KB	SNGL	16MM	SPD			VR1 VR5 VR6
2	31190340	50KB	SNGL	16MM	DET	SPD		VR3 VR4

1	31190342	50KA/C DUAL 16MM SPD	VR2
6	31322251	SWITCH DPDT PP 3.3MM PC V	S1 S2 S3 S4 S5 S6
2	31466217	STEREO HID JACK NINS W/SPD	J1 J2
1	33717010	8 HDR H SR .100" TIN LK	P1
1	33717015	4 HDR V SR .100" TIN LK	P2
1	TAB_VCI	????????????????????????????	TAB1

 END OF BILL OF MATERIAL REPORT



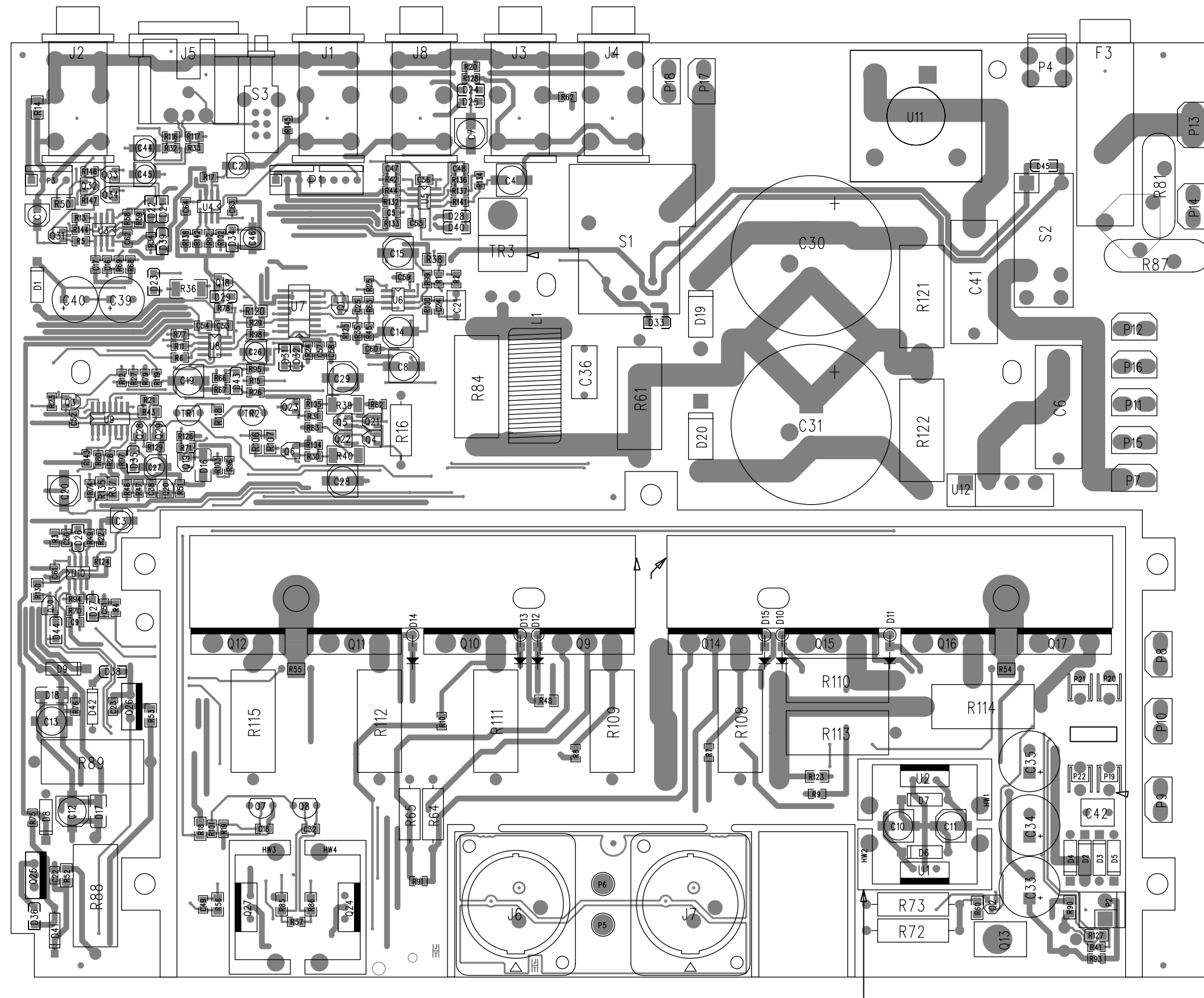
Tour 450 Component Changes

- R57 = 1K Remove Q9, Q14
- R80 = 7.5K Remove R7, R8
- R143 = 5.11K Remove R108, R109

PEAVEY
Peavey Electronics Corp.
P. O. Box 2898
Mendota, MS 39301

700_PWRAMP
TVX 700

Sheet 2 of 2 Date: 3-15-2006, 15:58



BILL OF MATERIAL REPORT

REPORT DATE/TIME: 12/5/2006 9:38:27 AM

BOARD NAME: TOUR 700 POWER AMP ASSEMBLY LEVEL NUMBER: 29092483

PROJECT NUMBER: P0500059 DESIGNER: FJE

Qty.	Part #	Description	Reference Designators

--			
1	30200037	2.2M 1/4W 5% MF 1206	R14
3	30200041	4.7 1/4W 5% MF 1206	R52 R53 R123
5	30200047	1K 1/4W 1% MF 1206	R37 R106 R107 R120 R135
1	30200049	4.99K 1/4W 1% MF 1206	R43
2	30200051	10K 1/4W 1% MF 1206	R18 R50
1	30200058	150K 1/4W 1% MF 1206	R130
1	30200060	100 1/4W 1% MF 1206	R38
1	30200101	22.1 1/4W 1% MF 1206	R60
1	30200120	1.24K 1/4W 1% MF 1206	R127
1	30200136	392 1/4W 1% MF 1206	R56
2	30200146	16.2K 1/4W 1% MF 1206	R85 R86
1	30200147	61.9 1/4W 1% MF 1206	R48
16	30200174	10K 1/10W 1% MF 0805	R17 R19 R22 R23 R24 R25 R26 R27 R28 R29 R30 R31 R136 R137 R138 R147
4	30200181	100 1/10W 1% MF 0805	R32 R33 R34 R35
1	30200182	187 1/10W 1% MF 0805	R91
8	30200188	1.00K 1/10W 1% MF 0805	R6 R7 R8 R9 R10 R11 R141 R142
5	30200194	100K 1/10W 1% MF 0805	R5 R12 R68 R69 R125

1	30200195	1.00M	1/10W 1% MF 0805	R146
1	30200198	499	1/10W 1% MF 0805	R128
2	30200200	8.25K	1/10W 1% MF 0805	R104 R105
4	30200202	3.32K	1/10W 1% MF 0805	R13 R21 R51 R129
13	30200205	47.5K	1/10W 1% MF 0805	R1 R2 R62 R66 R67 R92 R93 R95 R96 R97 R98 R124 R145
1	30200214	2.21K	1/4W 1% MF 1206	R90
1	30200220	221	1/4W 1% MF 1206	R118
1	30200248	2.74K	1/10W 1% MF 0805	R15
1	30200249	3.01K	1/10W 1% MF 0805	R41
9	30200251	4.75K	1/10W 1% MF 0805	R75 R76 R77 R78 R79 R82 R83 R119 R144
10	30200256	22.1K	1/10W 1% MF 0805	R20 R42 R44 R45 R46 R70 R71 R132 R133 R134
3	30200267	2.21K	1/10W 1% MF 0805	R101 R102 R103
3	30200328	6.81K	1/10W 1% MF 0805	R116 R117 R143
2	30200330	33.2K	1/10W 1% MF 0805	R63 R94
2	30200335	68.1K	1/10W 1% MF 0805	R3 R4
1	30200337	82.5K	1/10W 1% MF 0805	R47
1	30200342	221K	1/10W 1% MF 0805	R126
1	30200386	13.3K	1/10W 1% MF 0805	R80
3	30200388	150	1W 1% MF 2512	R36 R39 R40
1	30200391	549	1/10W 1% MF 0805	R57
2	30200393	56.2K	1/10W 1% MF 0805	R58 R59
1	30200431	332K	1/10W 1% MF 0805	R74
1	30200437	1.82K	1/10W 1% MF 0805	R49
2	30200438	1.21K	1/10W 1% MF 0805	R99 R100

2	30210012	150	1W	10%	MO	AXL	R64 R65
1	30210018	10K	1W	5%	MO	AXL	R16
2	30240210	5 OHM	12A		INRUSH	LIMITER	R81 R87
2	30240212	100K	NTC		THERMISTOR		R54 R55
2	30250087	33	2W	5%	MO	AXL	R72 R73
3	30300079	47UF	35V	20%	EL	SMT6	C20 C28 C29
1	30300083	100UF	16V	20%	EL	SMT6	C19
6	30300084	2.2UF	35V	20%	ELN	SMT4	C1 C2 C3 C44 C45 C46
18	30300085	0.1UF	50V	20%	Z5U	0805	C9 C16 C17 C50 C51 C52 C53 C54 C55 C56 C57 C58 C59 C60 C61 C62 C63 C64
2	30300087	39PF	50V	5%	NPO	0805	C24 C25
5	30300088	100PF	50V	5%	NPO	0805	C5 C22 C23 C47 C48
9	30300099	22UF	50V	20%	EL	SMT6	C4 C7 C8 C10 C11 C12 C13 C14 C15
1	30300155	0.033UF	50V	5%	X7R	0805	C49
1	30300157	1000PF	50V	10%	X7R	0805	C38
1	30300158	1500PF	50V	10%	X7R	0805	C18
1	30300169	180PF	50V	5%	NPO	0805	C32
2	30300226	10UF	35V	20%	EL	SMT4	C26 C27
1	30320096	0.1UF	250V	10%	PE	RADH	C36
1	30320098	10PF	1000V	20%	Z5F	RADH	C21
3	30320186	1000UF	35V	20%	EL	RAD	C33 C34 C35
2	30320271	0.47UF	275V	20%	"X"	RADH	C6 C41
2	30320324	470UF	25V	20%	ELS	RAD	C39 C40
2	30320574	5600UF	125V	20%	EL	SNPH3	C30 C31
1	30330159	0.47UF	63V	5%	PES	RAD	C42
2	30400142	1SS142-250V	SILICON		DIODE		D41 D42

1	30400318	7815F +15V INS TO-220F HOR	U1
1	30400319	7915 -15V INS TO-220F HOR	U2
2	30400502	MR502/1N5402 200V 3A DIOD	D19 D20
1	30400605	BR RECT INLINE 600V 6A	U12
1	30400979	24V ZENER (SOD123)-SMT	D39
1	30401837	2SA1837 PNP TO-220 230V	Q26
1	30402504	BR RECT 400V 25A WIRE LDS	U11
1	30404793	2SC4793 NPN TO-220 230V	Q25
1	30415032	MJE-15032 NPN HI-V TO220	Q24
1	30415033	MJE15033 PNP HI-V DRVR	Q27
5	30418033	MPS6533/34 PNP SMT	Q2 Q4 Q5 Q6 Q30
5	30418053	4560 DUAL OPAMP SO8	U3 U4 U5 U6 U8
1	30418110	LM339 QUAD COMPARATOR SMT	U9
3	30418138	J111 JFET N SOT23	Q1 Q33 Q34
11	30418191	MPS-6531 NPN TRANS.SMT	Q3 Q18 Q19 Q20 Q21 Q22 Q23 Q28 Q29 Q31 Q32
1	30418231	NJM13700 DUAL OTA SMT	U7
1	30418274	LM393M DUAL COMPARATOR	U10
20	30418328	1N4148W SWITCHING DIODE	D21 D22 D23 D24 D25 D26 D27 D28 D29 D31 D32 D33 D34 D35 D36 D38 D40 D43 D44 D45
3	30418504	15V 1.5W ZENER SMA	D16 D17 D18
1	30425331	MJE243/SJE-5331 CASE-77 NPN ST	Q13
4	30457230	2SA1943 230V PNP TO-264/TO-3P	Q9 Q10 Q11 Q12
1	30460014	SBS14 8V BI-DIR SW T&A	TR2
1	30460097	MAC97-6 TRIAC TO-92 T&A	TR1

1	30460761	2N5400 PNP 120V TO92 RAD	Q7
15	30464003	1N4003 200V 1A SI DIODE	D1 D2 D3 D4 D5 D6 D7 D8 D9 D10 D11 D12 D13 D14 D15
1	30465550	2N5550 TO92 NPN RAD	Q8
4	30467230	2SC5200 230V NPN POWER	Q14 Q15 Q16 Q17
1	30519917	.8UH AIR CORE	L1
1	30651157	BL 16 AWG, 4", 105 DEGREE, SI250, CPT	P6
1	30651158	YL 16 AWG, 4", 105 DEGREE, SI250, CPT	P5
4	30900629	AAVID VER TO220 HEATSINK	HW1 HW2 HW3 HW4
1	30901429	EXT. FUSEHOLDER, PC MT	F3
4	30901714	FUSE CLIP, 5 X 20MM -T&A	P19 P20 P21 P22
1	30901785	SCREW TERM, 6-32 -PCB MT	P4
1	31322250	RELAY 18V SPST 30A SEALED	S1
1	31322341	SWITCH DPDT PP 2.8MM PC H	S3
1	31322487	RELAY 12V DPNO 8A	S2
5	31466165	JK RA 12.5MM NIN STEO-88	J1 J2 J3 J4 J8
1	31466442	MXLR NC3MAH A-SER HORZ	J5
2	31466475	PCB CONN., 2-POLE 1/4" SPEAKON	J6 J7
8	31600256	0.33 5W 10% WW AXLH SL	R108 R109 R110 R111 R112 R113 R114 R115
2	31600259	5.6 5W 10% WW AXLH SL	R61 R84
4	31600263	4K 5W 10% WW AXLH SL	R88 R89 R121 R122
12	33716194	SPADE .250 PC MNT .093	P7 P8 P9 P10 P11 P12 P13 P14 P15 P16 P17 P18
1	33717010	8 HDR H SR .100" TIN LK	P1

1	33717015	4	HDR V SR .100" TIN LK	P3
1	33719107	2	HDR V SR .156" TIN LK	P2
7	FIDUCIAL	??	FID1 FID2 FID3 FID4 FID5 FID6 FID7	
2	MOUNT_HOLE_187_FT	??	MTG6 MTG7	

END OF BILL OF MATERIAL REPORT
