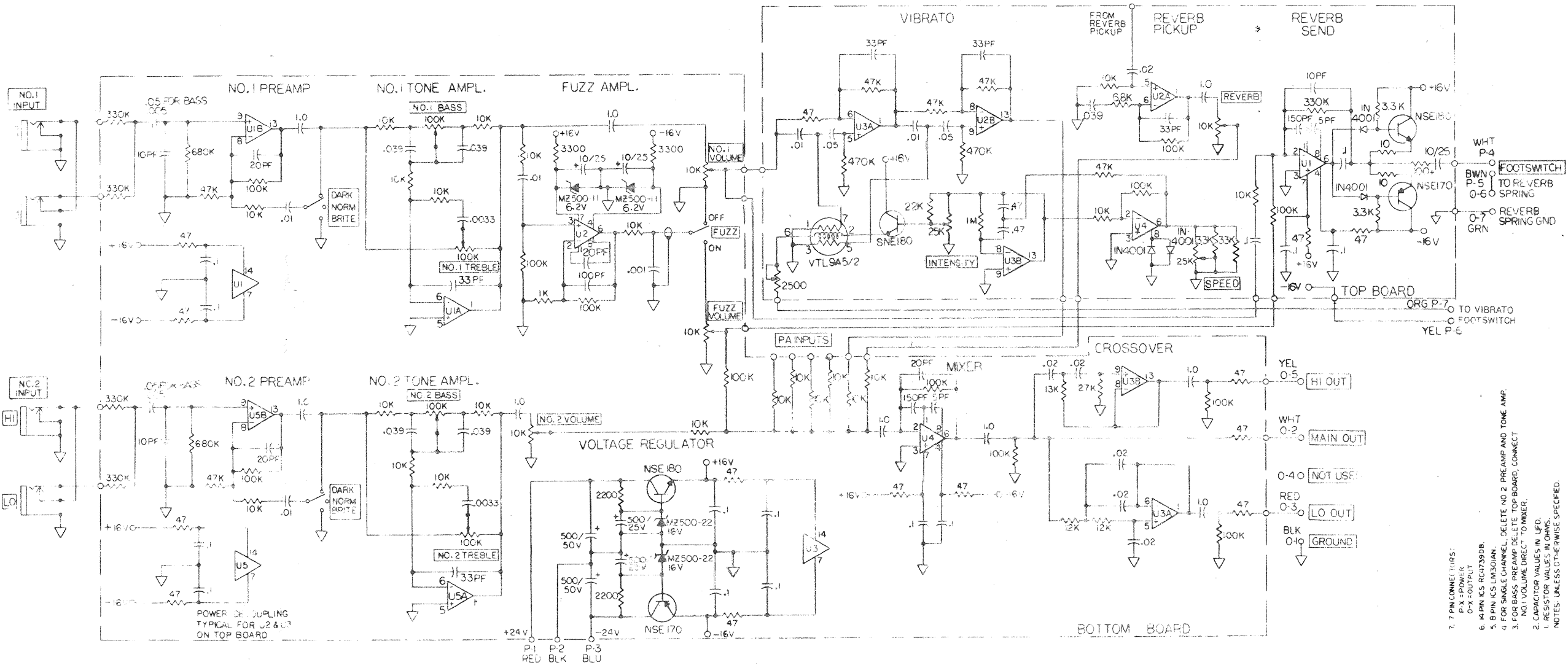


LEAD / BASS / MINI - BRUTE PREAMP

OLYPTONE MUSICAL INSTRUMENTS, INC.

5/1/77



7. 7 PIN CONNECTORS:
 P-X - POWER
 O-X - OUTPUT
6. 14 PIN ICs RC4739DB
 5. 8 PIN ICs LM301AN
 4. FOR SINGLE CHANNEL, DELETE NO. 2 PREAMP AND TONE AMP.
 3. FOR BASS PREAMP DELETE TOP BOARD, CONNECT
 NO. 1 VOLUME DIRECT TO MIXER.
 2. CAPACITOR VALUES IN UFD.
 1. RESISTOR VALUES IN OHMS.
 NOTES: UNLESS OTHERWISE SPECIFIED.

MINI-BRUTE AMPLIFIERS

For MINI-BRUTES I and III: refer to No. 1 Preamp, No. 1 Tone Ampl, Mixer Stage.

For MINI-BRUTES II and IV: refer to No. 1 Preamp, No. 1 Tone Ampl, Fuzz Ampl. Small board for II & IV: No. 1 I.C. LM301 for Reverb Send. No. 2 I.C. RC4739 - 1/2 for Reverb Pickup and other half for Mixer. Refer to Reverb Pickup, Reverb Send and Mixer