

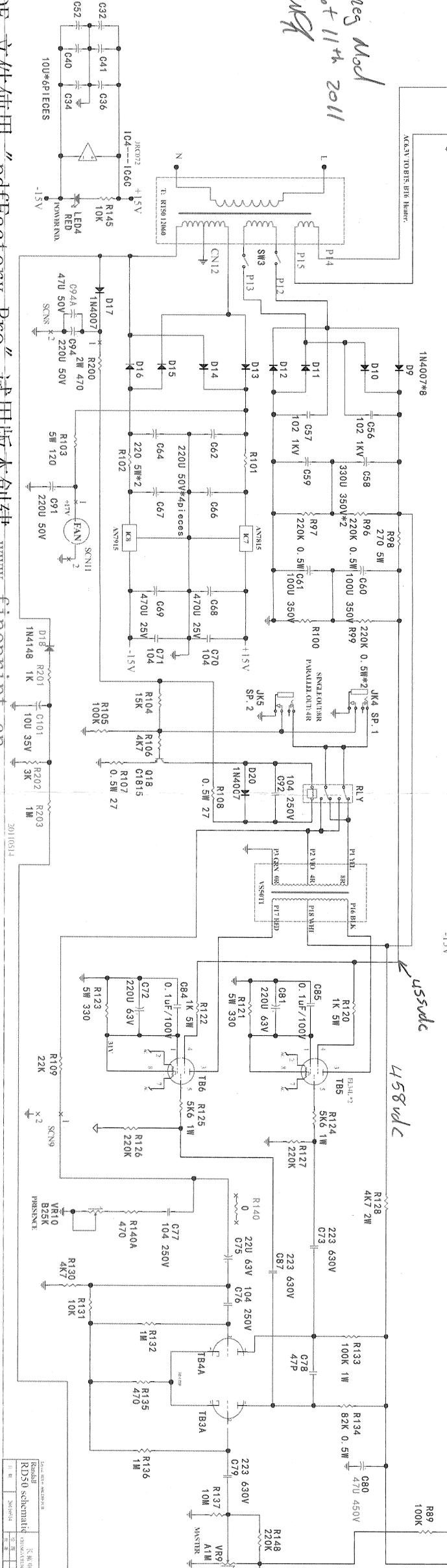
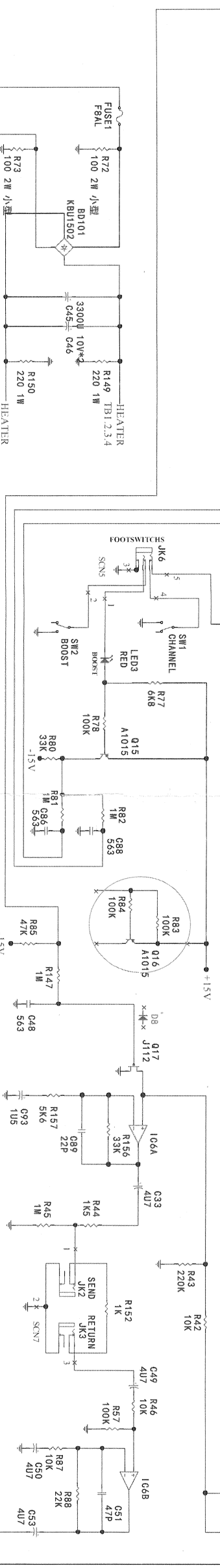
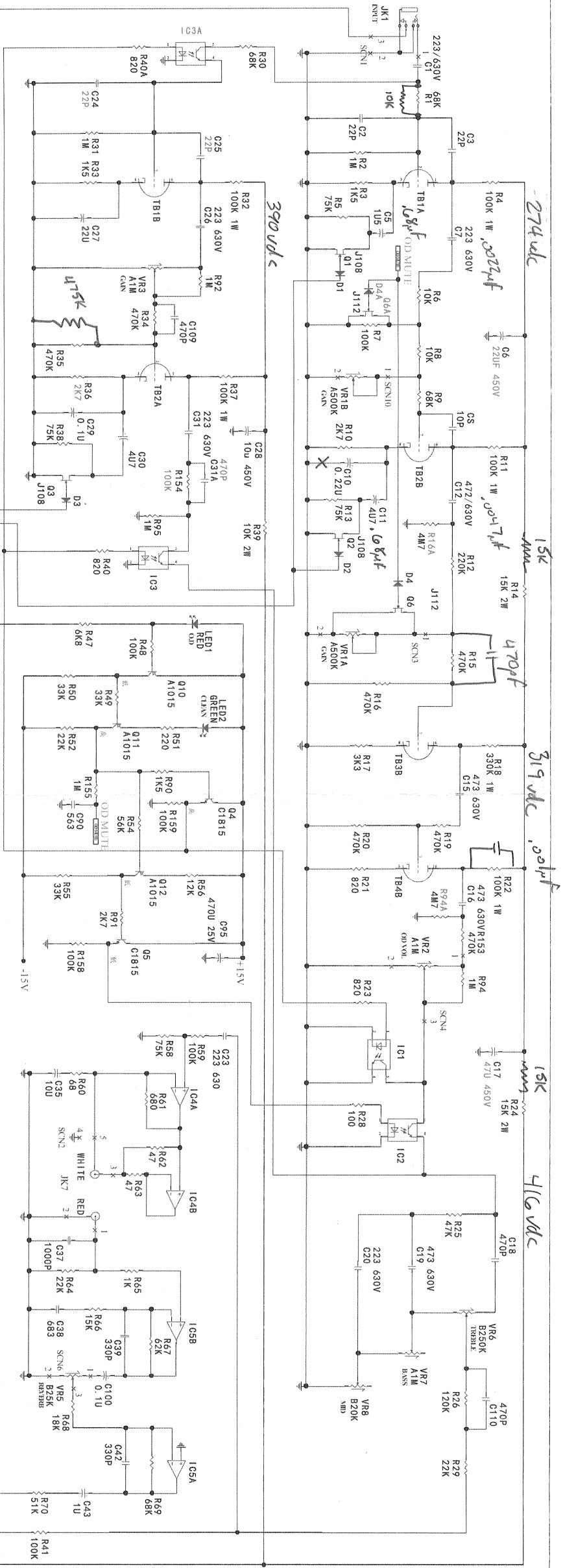


ELECTRONIC CHANGE NOTICE
RD50H –RD50C - #ECO-1
02/23/12

Instructions:

1. Jumper R1 with a 10K 1/4w carbon film resistor
2. Change C5 to a 0.68uf/50v electrolytic capacitor
3. Change C7 to a 0.0022uf/600vdc film capacitor
4. Remove C10
5. Change C12 to a 0.0047uf/600vdc film capacitor
6. Change C11 to a 0.68uf/50v electrolytic capacitor
7. Add a 470pf/1kv ceramic capacitor in parallel to R15
8. Add a 1000pf/1kv ceramic capacitor in parallel to R22
9. Add a 470K 1/4w carbon film resistor in parallel to R35
10. Add a 15K 2w flame proof resistor in series with R14
11. Add a 15K 2w flame proof resistor in series with R24

All components can be removed from the top side of the pcb.



Greg Mod
Sep 11th 2011
WRQ

PCB: 20110814
RD50 schematic

1:1	0.25mm
2:1	0.50mm
3:1	0.75mm
4:1	1.00mm
5:1	1.25mm
6:1	1.50mm
7:1	1.75mm
8:1	2.00mm
9:1	2.25mm
10:1	2.50mm
11:1	2.75mm
12:1	3.00mm
13:1	3.25mm
14:1	3.50mm
15:1	3.75mm
16:1	4.00mm
17:1	4.25mm
18:1	4.50mm
19:1	4.75mm
20:1	5.00mm

张帆电子科技
深圳市张帆电子科技有限公司
地址: 深圳市宝安区西乡街道
电话: 0755-27788888
网址: www.zhangfanelectronics.com