

ECC83

ECC81

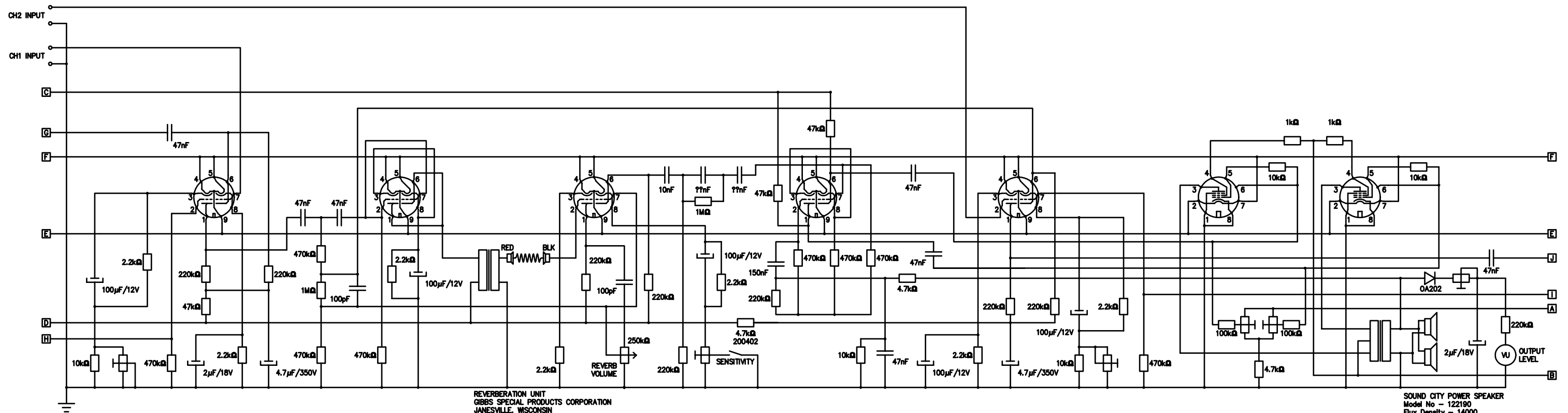
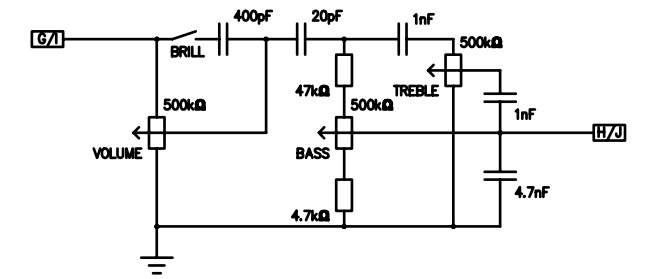
ECC83

ECC81

ECC83

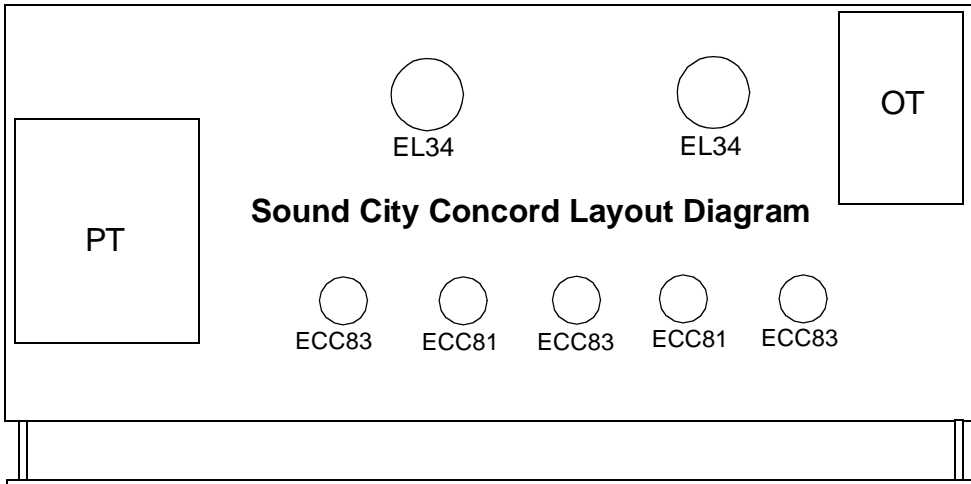
EL34

EL34



REVERBERATION UNIT
GIBBS SPECIAL PRODUCTS CORPORATION
JANESVILLE, WISCONSIN
SUBSIDIARY OF HAMMOND CORPORATION

SOUND CITY POWER SPEAKER
Model No - 122190
Flux Density - 14000
Power Handling - 40
Impedance - 15
Serial No - .



Front of Amp

