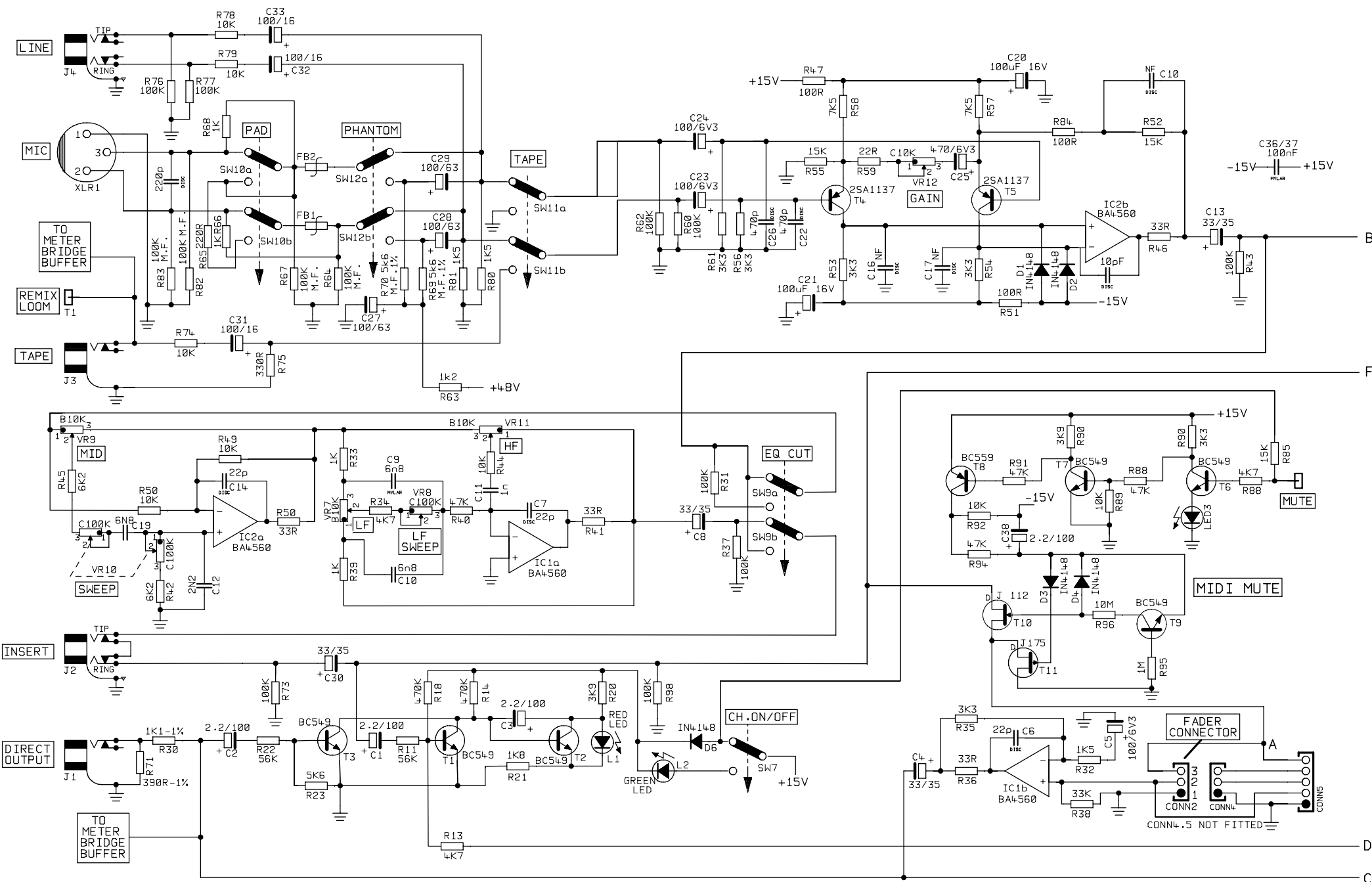


NOTES

STUDIOMASTER		TITLE		LEFT-RIGHT OUTPUT CCT	
PRODUCT	MIXDOWN CLASSIC 8	PART	OF	SCALE	
VERSIONS		DRN BY	DATE	23/3/95	

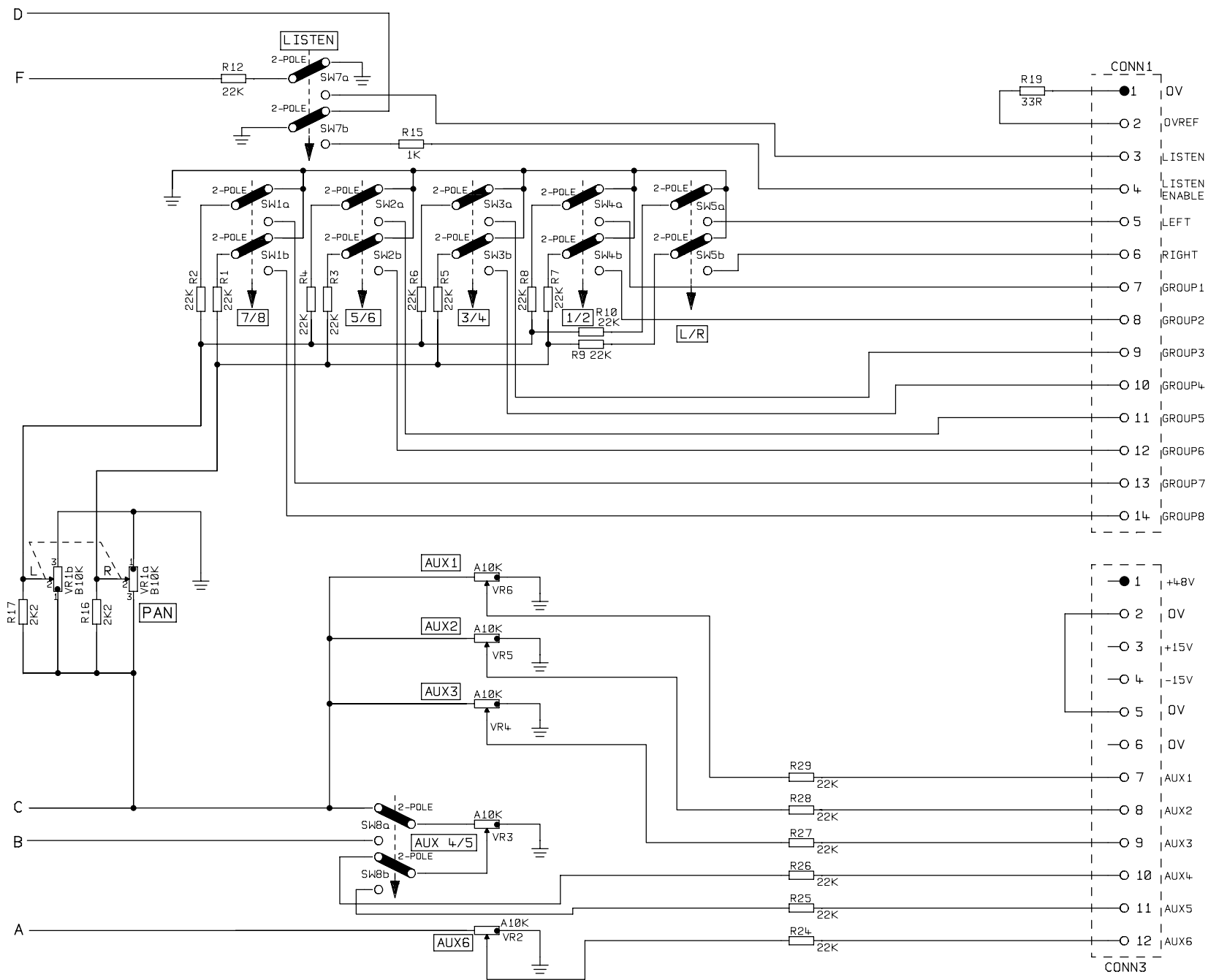
DRAWING No. **MDC5-1.DGM**

FILE No.

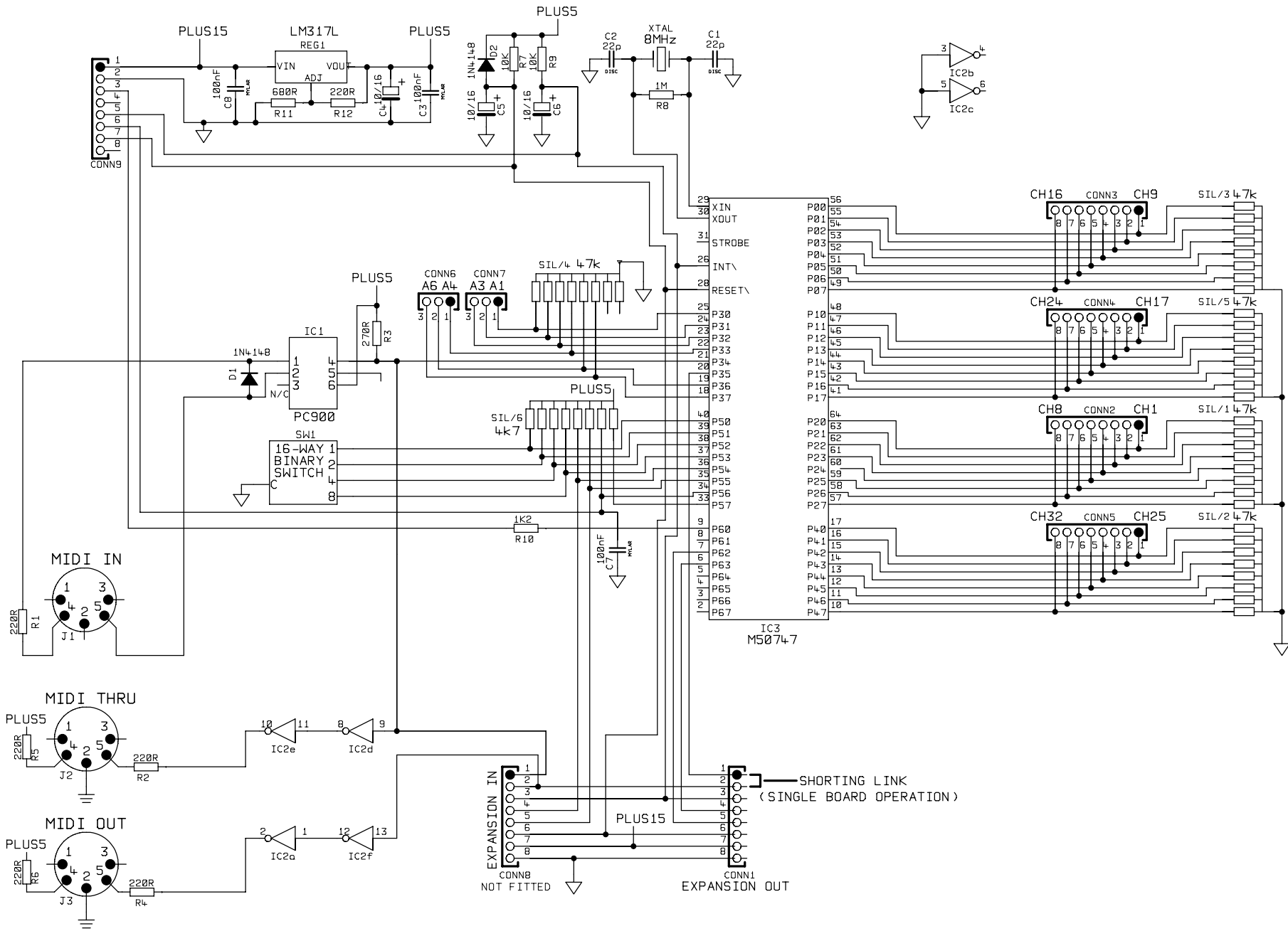


NOTES
NF = NOT FITTED

<h1 style="text-align: center;">STUDIOMASTER</h1>		TITLE		MIC CIRCUIT PART A		DRAWING No.	
		PRODUCT		MIXDOWN CLASSIC 8		MDC1-1.DGM	
VERSIONS		PART		OF		SCALE	
		DRN BY		DATE		23/3/95	
						FILE No.	



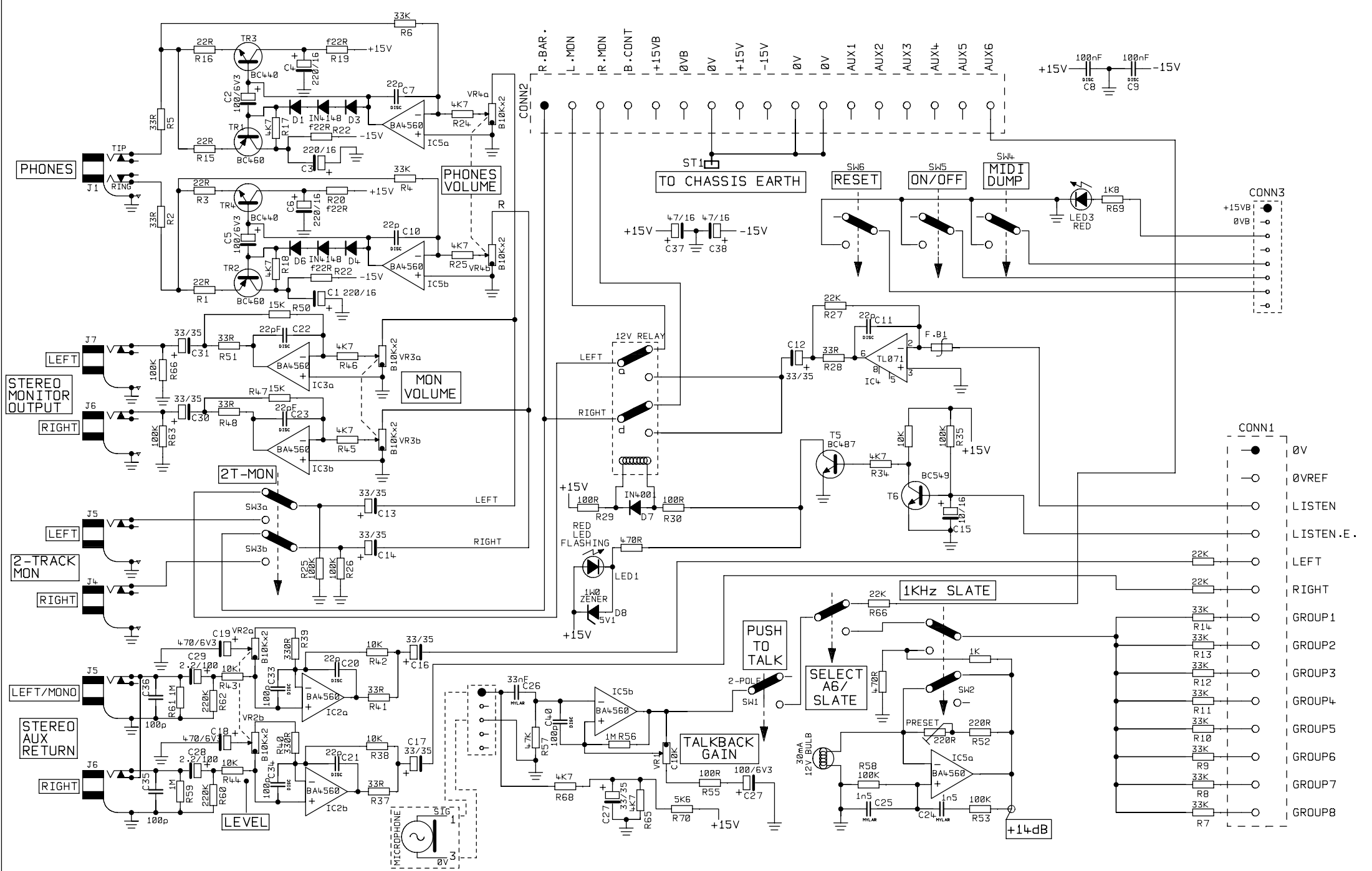
NOTES	STUDIOMASTER				TITLE		MIC CIRCUIT PART B		DRAWING No. MCD2-1.DGM	
	PRODUCT	MIXDOWN CLASSIC 8		PART	OF	SCALE	FILE No.			
	VERSIONS			DRN BY		DATE	23/3/95			



NOTES
 ▽ OV
 ⊥ CHASSIS GROUND

STUDIOMASTER PRODUCT MIXDOWN CLASSIC 8 VERSIONS		TITLE	MIDI MUTE CIRCUIT		
		PART	OF	SCALE	
		DRN BY		DATE	24/4/95

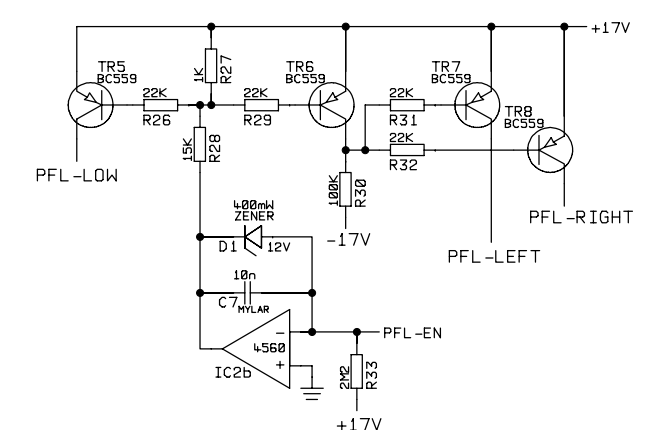
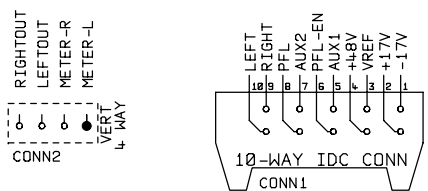
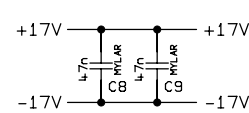
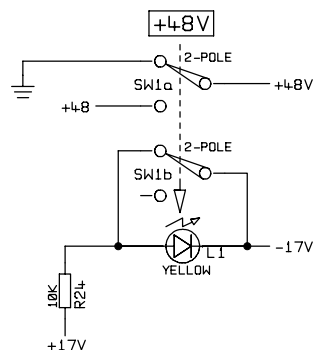
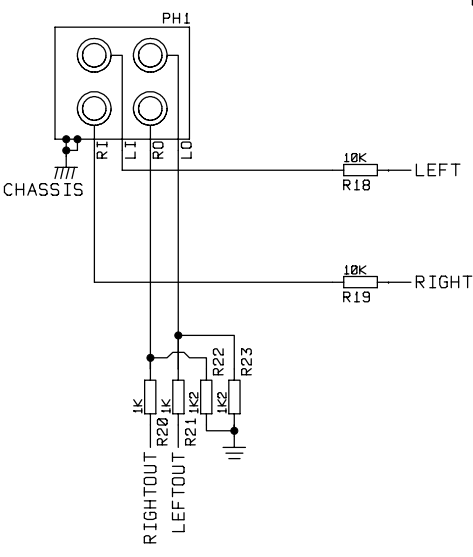
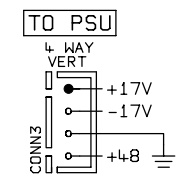
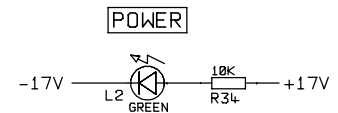
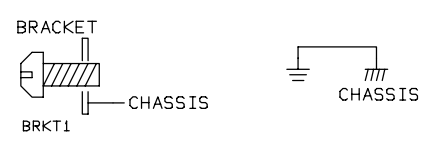
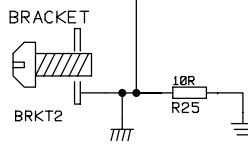
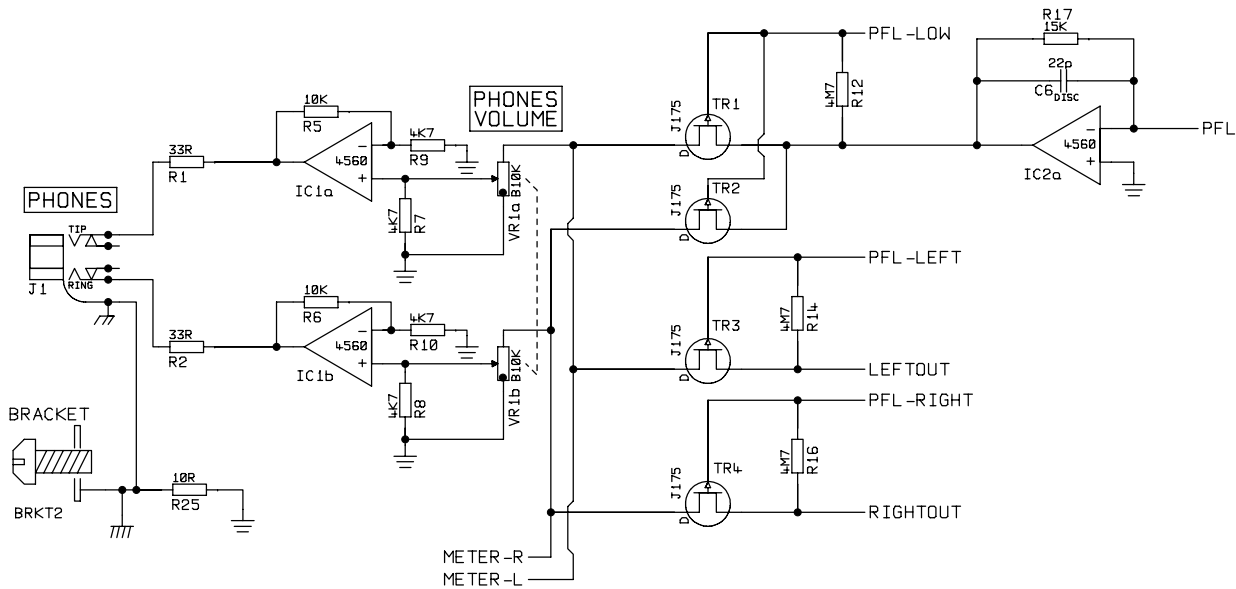
DRAWING No.
MDC7-1.DGM
 FILE No.



NOTES

STUDIOMASTER		TITLE	MONITOR CIRCUIT	
PRODUCT	MIXDOWN CLASSIC 8	PART	OF	SCALE
VERSIONS		DRN BY	DATE	23/3/95

DRAWING No.	MDC6-1.DGM
FILE No.	



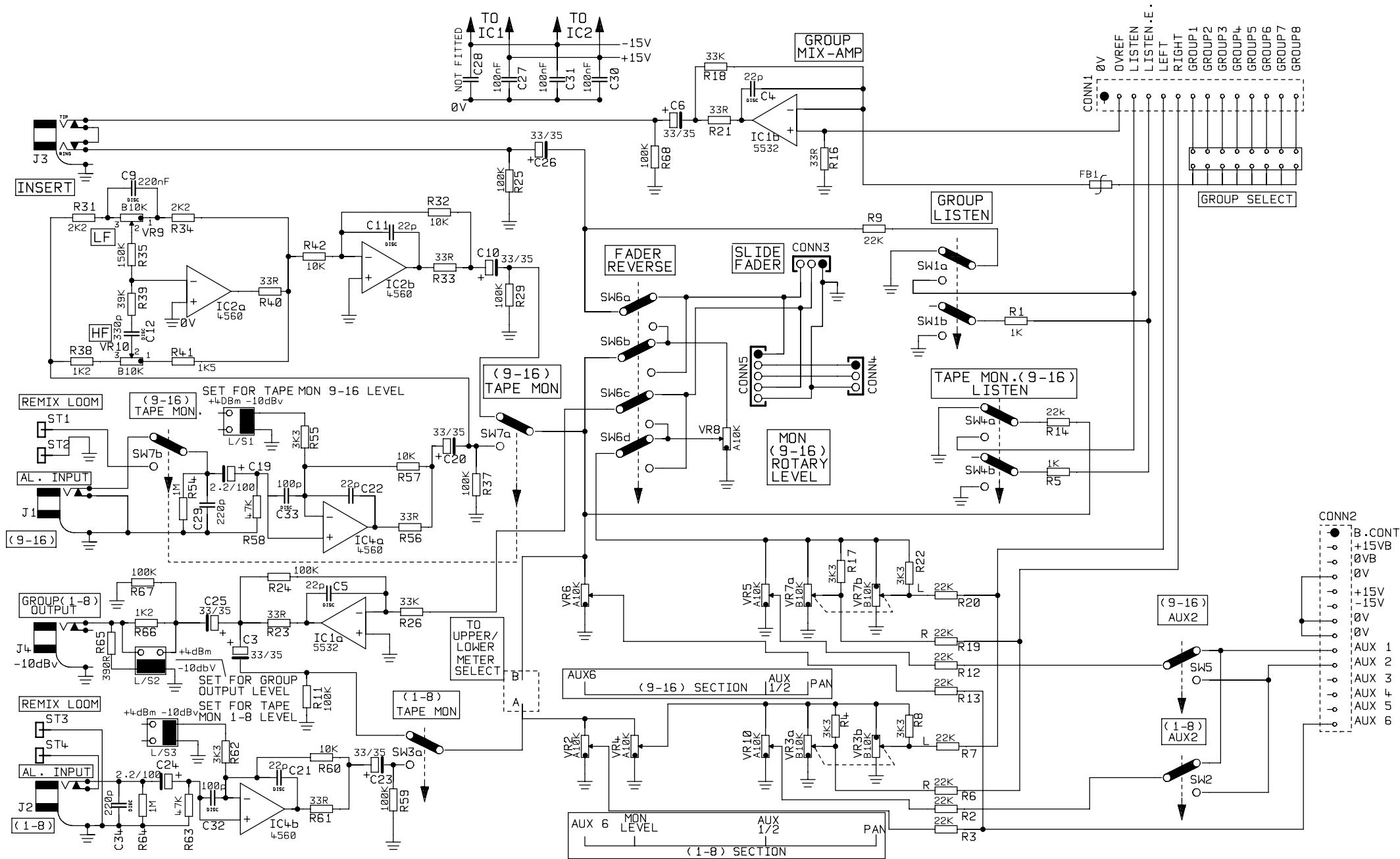
PIN OUTS FOR ALL OPAMPS
 GROUP A GROUP B
 1 = O/P 8 = +17V
 2 = - 7 = O/P
 3 = + 6 = -
 4 = -17V 5 = +

NOTE - ALL RESISTORS ARE 0.125W TYPE APART FROM - R11, R13, R15 R31, R35
 0dB = +4dBu

STUDIOMASTER DIAMOND LTD
 PRODUCT: LOGIC 12 CLUB2000 CLUBDSP POWERPACK
 MODEL: ALL ALL ALL ALL 400 400DSP

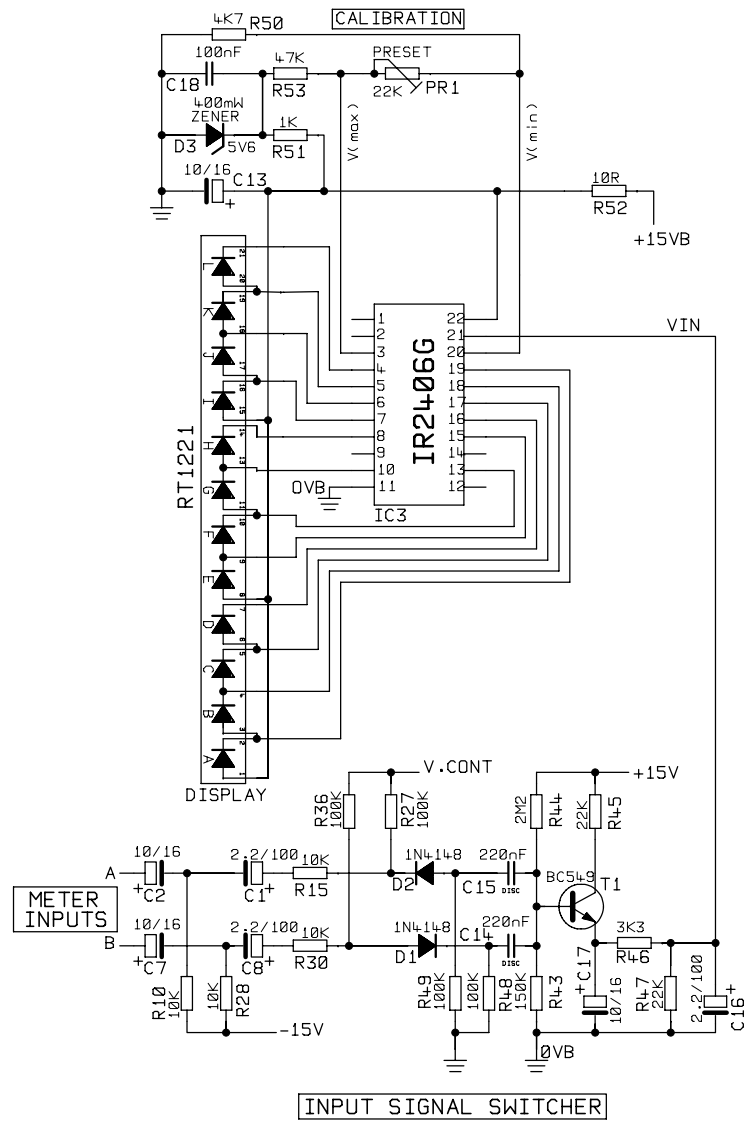
TITLE: MONITOR OUTPUT
 PART 1 OF 1
 DRN BY: P.A. DATE: 03-11-98

FILE NAME: R7C5-2.DGM
 ISSUE No: 9607048-2



NOTES

STUDIOMASTER		TITLE		GROUP CIRCUIT PART A		DRAWING No.	
						MDC3-1.DGM	
PRODUCT	MIXDOWN CLASSIC 8	PART	OF	SCALE			FILE No.
VERSIONS		DRN BY		DATE	23/3/95		



NOTES

STUDIOMASTER		TITLE		GROUP CIRCUIT PART B		DRAWING No.	
		PRODUCT		MIXDOWN CLASSIC 8		MDC4-1.DGM	
VERSIONS		PART		OF		SCALE	
		DRN BY		DATE		23/3/95	
						FILE No.	