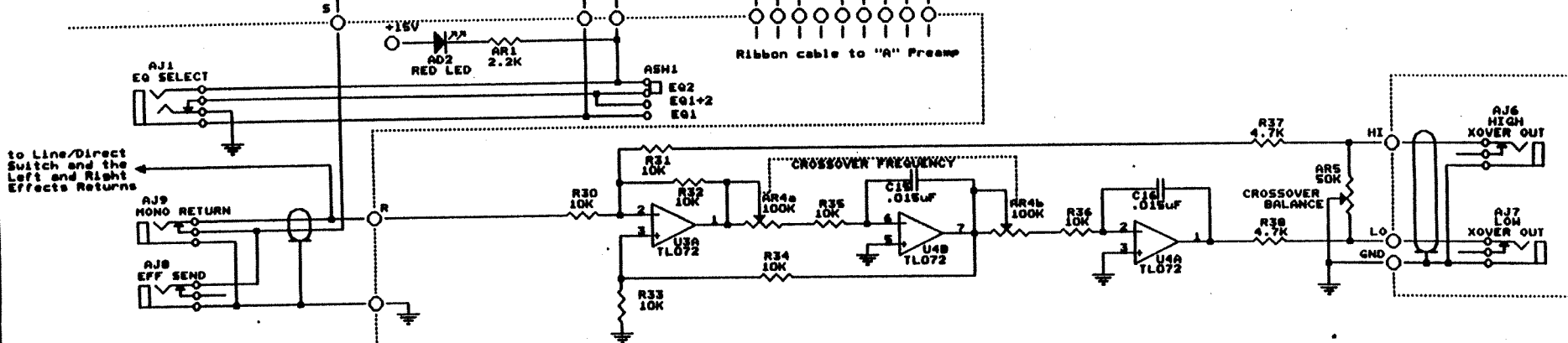
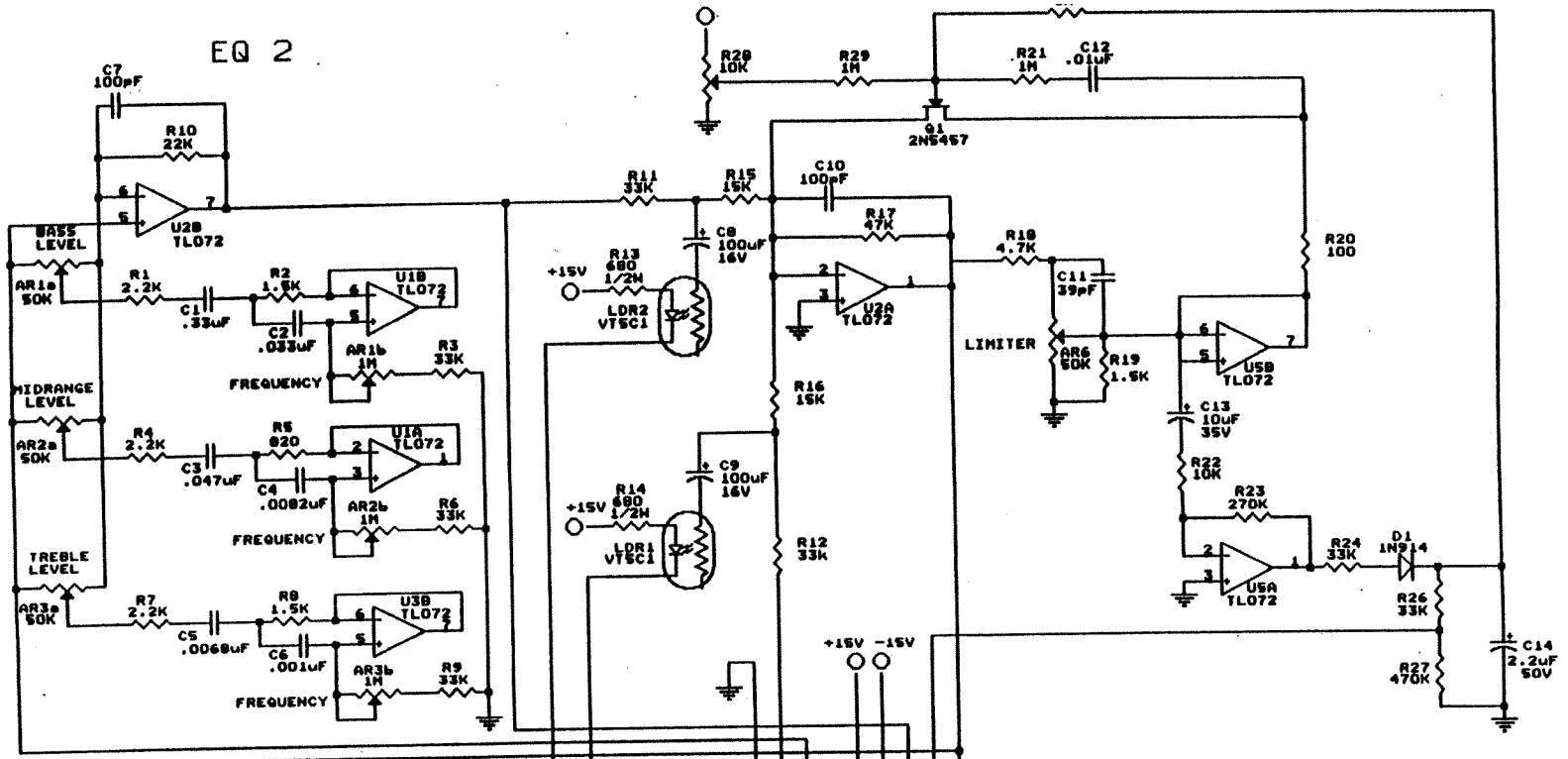


Items outside dashed lines are part of the Chassis Assembly

3. Reference designators with an A prefix are part of the chassis sub-assembly.
2. All TL072s have +15 Volts to pin 8, and -15 Volts to pin 4.
1. Resistors are Ohms, 1/4 Watt.
- NOTES (Unless otherwise indicated)

SHR SOUND CORPORATION	
9130 Glenoaks Blvd. Sun Valley, CA 91352 Phone: (818)253-4797 FAX: (818)253-4799 http://www.shr.com	
Title	SH-900 "A" PREAMP
Size Document Number	700022-1
REV	B
Date	July 16, 1999

EQ 2

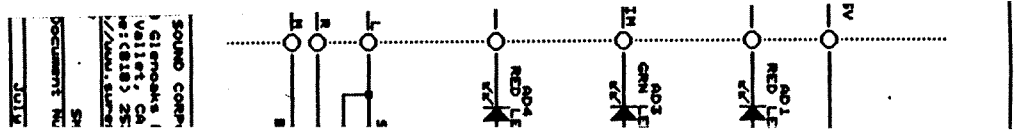


to Line/Direct Switch and the Left and Right Effects Returns

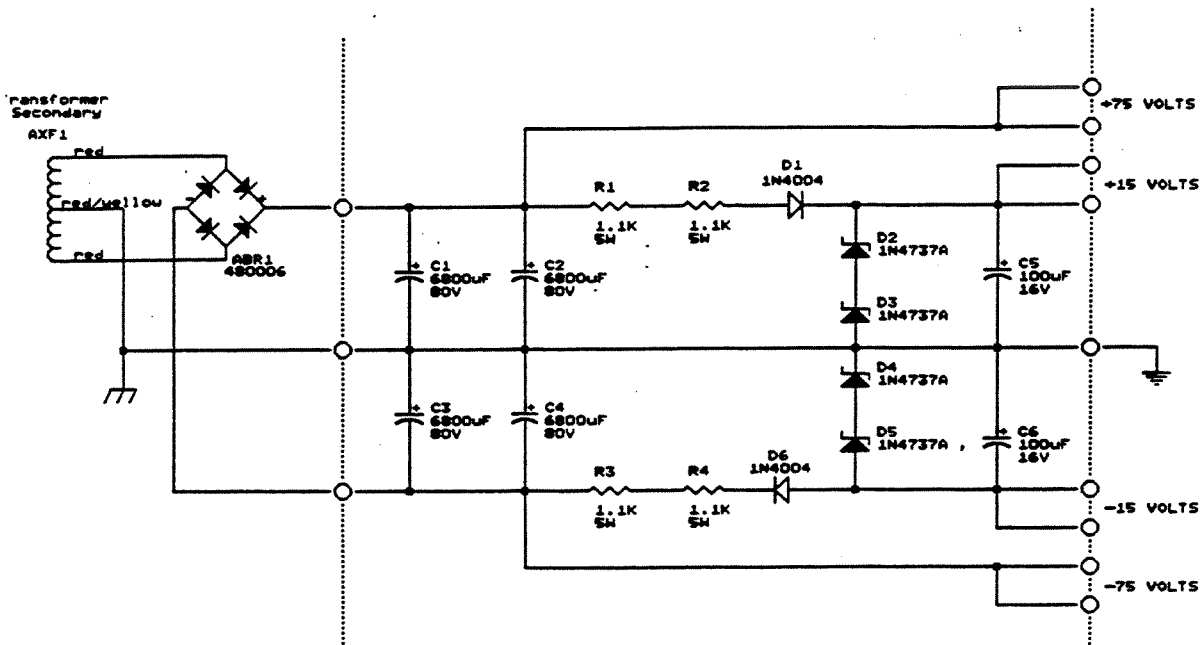
Items outside dashed lines are part of the Chassis Assembly

SHR SOUND CORPORATION
 9130 Glenoaks Blvd.
 Sun Valley, CA 91352
 PHONE: (818) 253-4797 FAX: (818) 253-4799
<http://www.shr.com>

Title		SH-900 "B" PREAMP	
Size	Document Number	REV	
B	700023	B	
Date:	July 19, 1999	Sheet	1 of 1



SOUND CORP
 9130 Glenoaks Blvd.
 Sun Valley, CA 91352
 PHONE: (818) 253-4797
<http://www.shr.com>



SMR SOUND CORPORATION
 9130 Glenoaks Blvd.
 Sun Valley, CA 91352
 PHONE: (818) 253-4797 FAX: (818) 253-4799
 http://www.sureng.com

Title Power Supply Filter Board - SM-900

Size	Document Number	REV
A	700024	A
Date:	July 1, 1999	Sheet 1 of 1