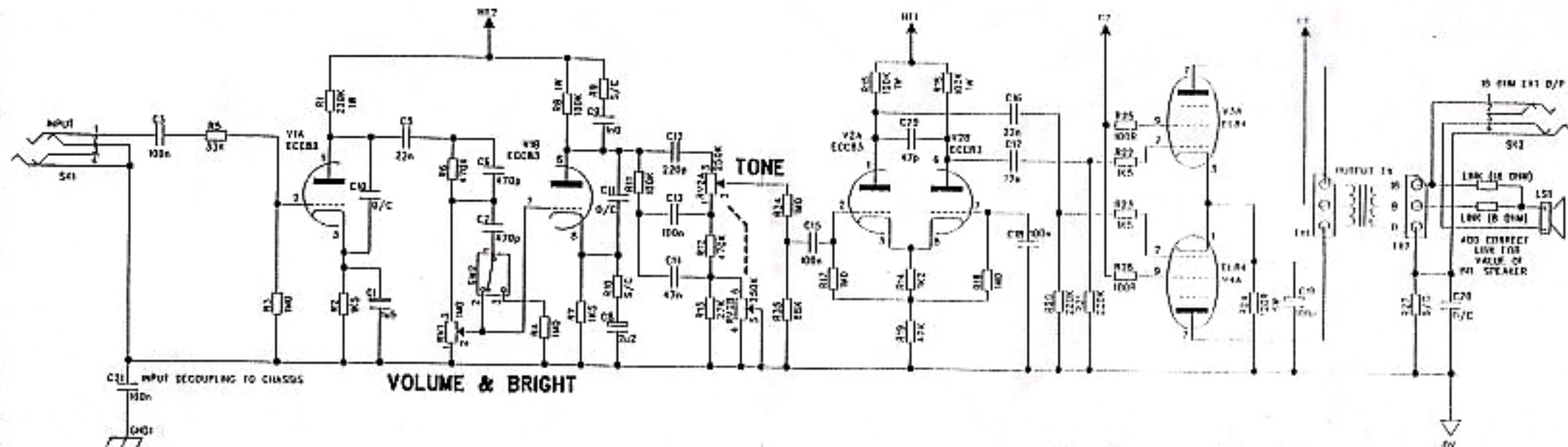
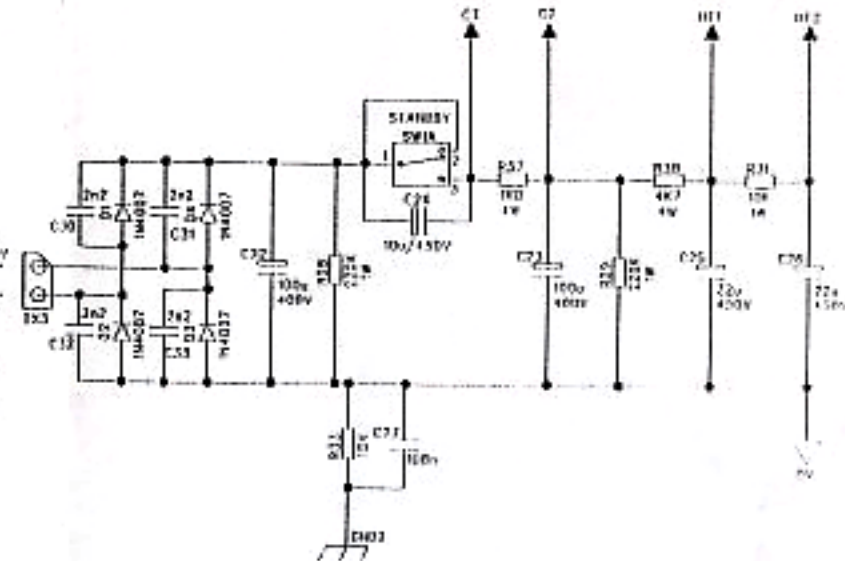
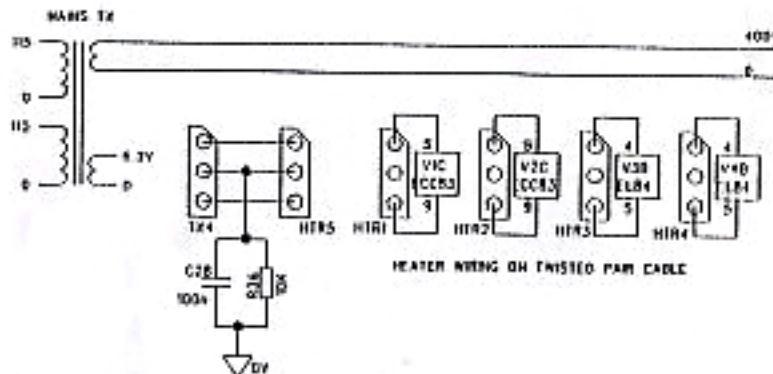


ISSUE CHANGE NOTE DATE	ISSUE CHANGE NOTE DATE	ISSUE CHANGE NOTE DATE
ISSUE CHANGE NOTE DATE	ISSUE CHANGE NOTE DATE	ISSUE CHANGE NOTE DATE

VELOCETTE GUITAR AMPLIFIER



HS SERIES WIND FOR 230V
PARALLEL WIND FOR 115V

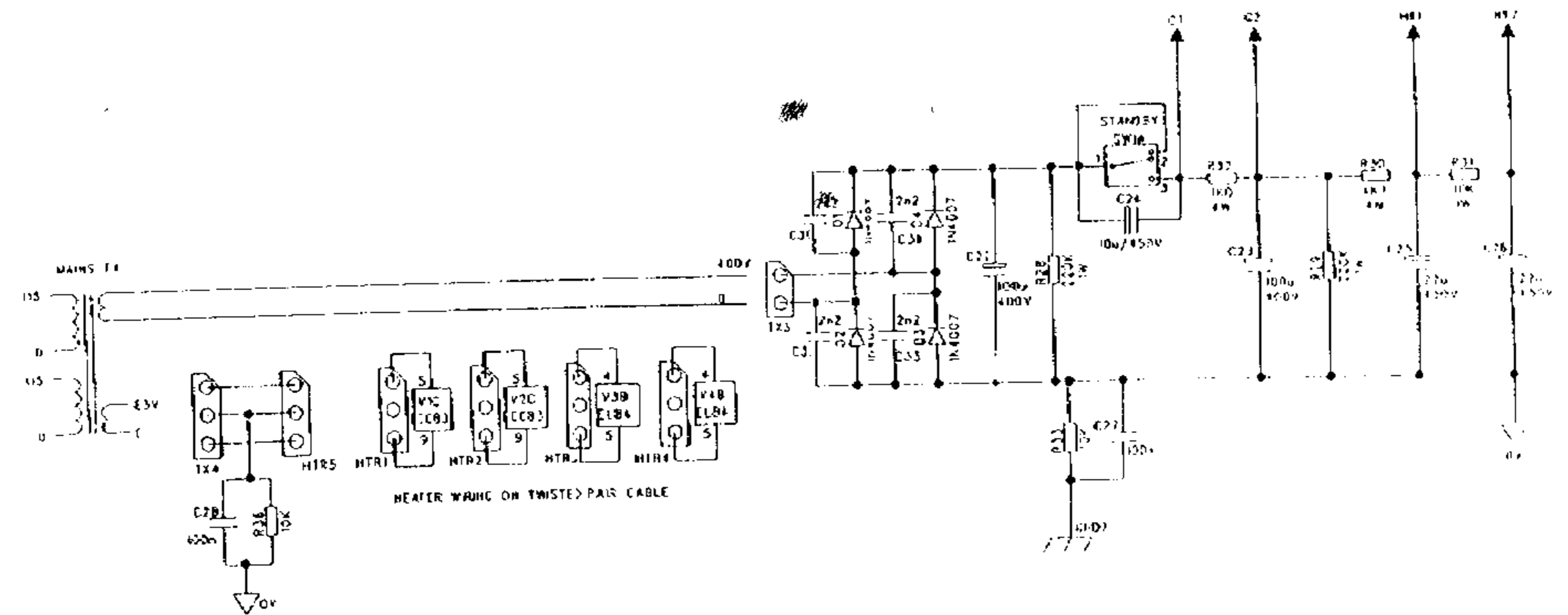
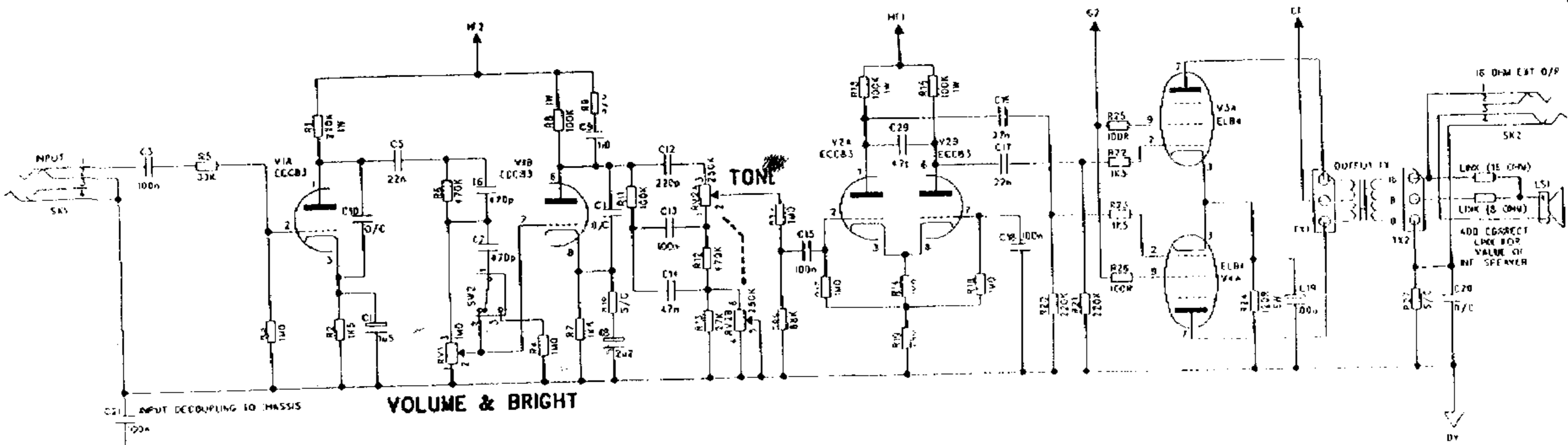


CIRCUIT DESIGN BY PAUL STEVENS

FILE	CIRCUIT DIAGRAM	TRACE ELLIOT
PROJECT	VELOCETTE GUITAR COMBO	TRACE ELLIOT LIMITED
DRAWING No	0800003	MALDEN ESSEX CM8 3GD
ISSUE	1	ENGLAND
DATE	8/3/1996	TEL (01823) 855266
DRAWN BY	J & RECKLESS	FAX (01823) 851975

ISSUE NO	ISSUE CHANGE NO	ISSUE CHANGE NO
DATE	DATE	DATE
ISSUE NO	ISSUE CHANGE NO	ISSUE CHANGE NO
DATE	DATE	DATE

VELOCETTE GUITAR AMPLIFIER



DESIGNED BY PAUL STEVENS

CREDIT DIAGRAM
VELOCETTE GUITAR CO180
CDD037
3
2/3/336
J.H. HEGALESS

TRACE ELLIOT
TRACE ELLIOT LIMITED
MALDON, ESSEX CM9 7QC
ENGLAND
TEL (0462) 855266
FAX (0462) 851975

Velocette Trace Elliott

