

LAST RESISTOR NO. 40 LAST CAPACITOR NO. 21

NOTE:-
 D1 D2 D3 PH204
 D4 D5 D6
 O1 O2 IN50G1 CONTROLLED
 D4 D5 AVALANCHE TYPE

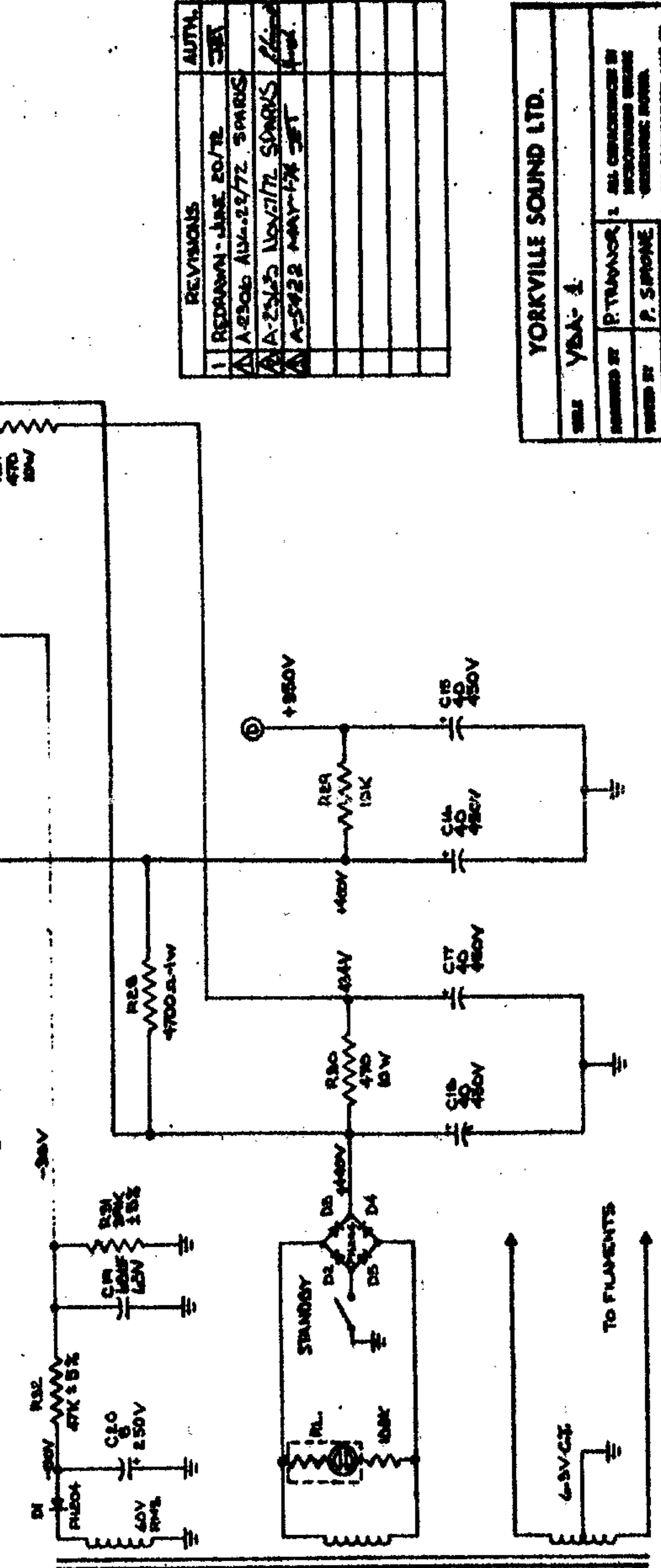
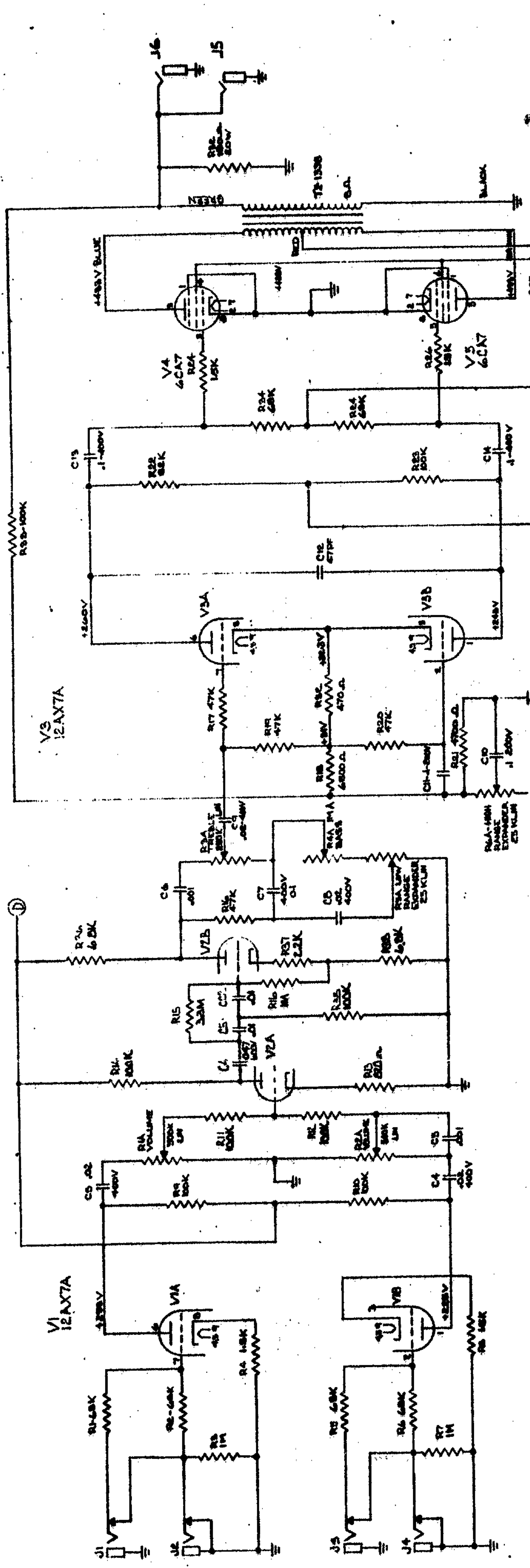
NOTE:
 1 ALL CAPACITANCES IN MUF UNLESS OTHERWISE SPECIFIED
 2 ALL RESISTANCES IN OHMS AT 1/2 W
 3 ALL VOLTAGES MEASURED WITH LINEOHM VOLTMETER.
 4 LINE VOLTAGE 117 V 60 HZ
 5 ALL CONTROLS AT MINIMUM
 6 NO SIGNAL

REVISION	DATE	BY
1	1/3/59	MB
2	25/5/64	MB
3	19/8/69	MB
4	17/12/69	MB
5	4/12/69	MB
6	10/1/70	MB
7	10/1/70	MB
8	19 FEB 70	MB

YORKVILLE SOUND LTD.
 BASSMASTER MARK II
 P. TRAYNOR
 JAN 31/69
 ALL DIMENSIONS IN INCHES
 DO NOT SCALE



REV	P.C.	DATE	BY
0780	6/4/70	MB	
0793	7/8/70	MB	
0543	30/11/70	MB	
0546	30/11/70	MB	
0547	9/12/70	MB	



REVISED	AUTH.
1 REDRAWN - JUNE 20/72	CBS
2 A-5306 A14-2/72 SPARKS	
3 A-5306 Nov/72 SPARKS	
4 A-5422 MAY-72 ST	

YORKVILLE SOUND LTD.

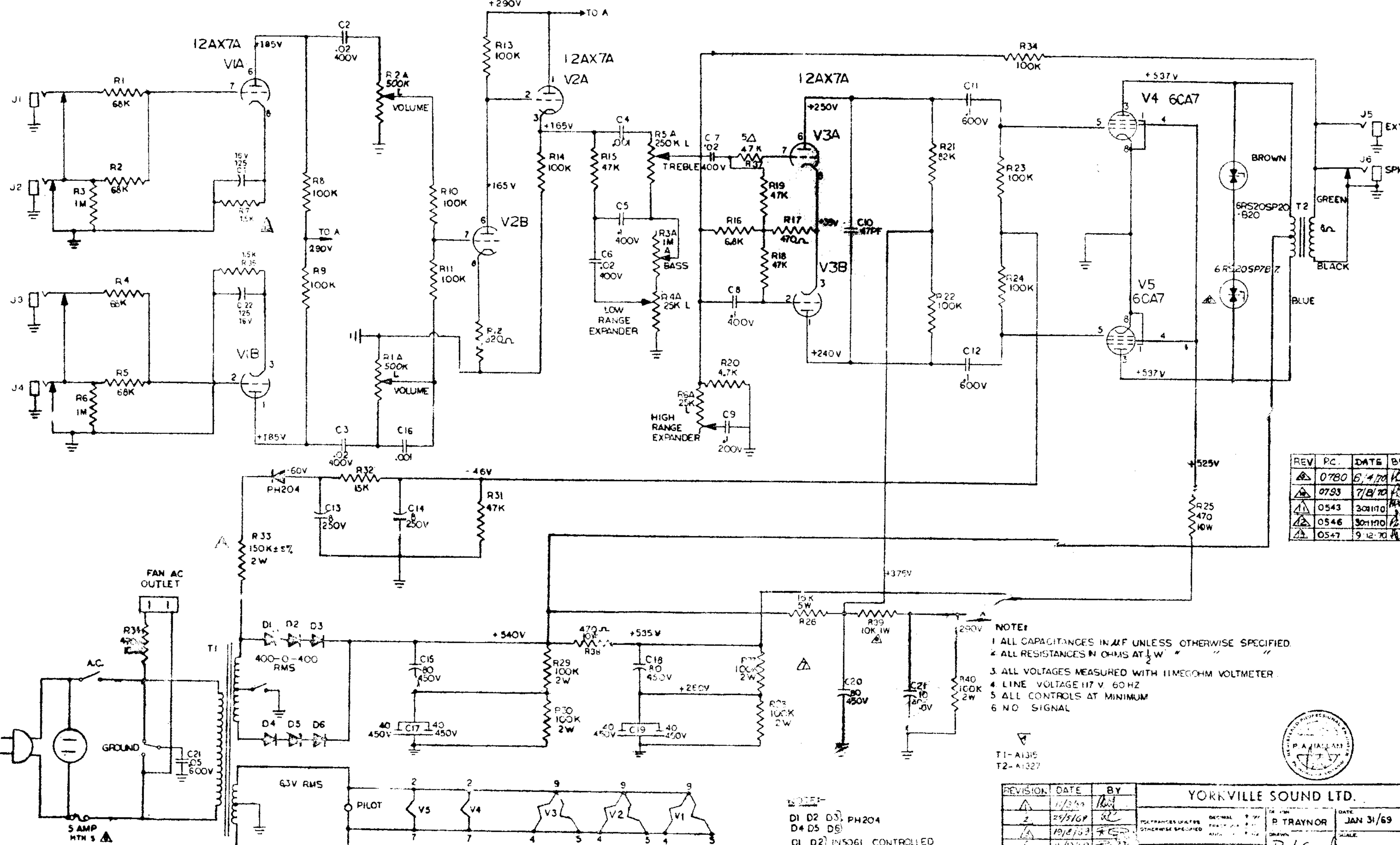
MODEL VSA-1

DESIGNED BY P. TRAMER
 DRAWN BY P. SIMONE
 CHECKED BY G. SPINUS

ALL CAPACITORS IN MICROFARADS UNLESS OTHERWISE SPECIFIED.
 ALL RESISTORS IN OHMS UNLESS OTHERWISE SPECIFIED.
 ALL DIMENSIONS ARE IN INCHES UNLESS OTHERWISE SPECIFIED.
 ALL DIMENSIONS ARE IN MILLIMETERS UNLESS OTHERWISE SPECIFIED.

DATE 11/6/72

LAST RESISTOR - R30 LAST CAPACITOR - C22



REV	PC	DATE	BY
1	0780	6/4/70	...
2	0793	7/8/70	...
3	0543	30/1/70	...
4	0546	30/1/70	...
5	0547	9/12/70	...

- NOTE:**
- 1 ALL CAPACITANCES IN μ F UNLESS OTHERWISE SPECIFIED.
 - 2 ALL RESISTANCES IN OHMS AT $\frac{1}{2}$ W
 - 3 ALL VOLTAGES MEASURED WITH 11 MEGOHM VOLTMETER.
 - 4 LINE VOLTAGE 117 V. 60 HZ
 - 5 ALL CONTROLS AT MINIMUM
 - 6 NO SIGNAL

T1-A1315
T2-A1327

- NOTE:**
- D1 D2 D3 PH204
 - D4 D5 D6
 - C1 C2 INSOGI CONTROLLED
 - D4 D5 AVALANCHE TYPE

LAST RESISTOR NO. 40 LAST CAPACITOR NO. 21



REVISION			YORKVILLE SOUND LTD.		
1	11/3/69	...	P. TRAYNOR		DATE JAN 31/69
2	25/5/69	...	DRAWN		SCALE
3	19/8/69	...	MATERIAL		APPROVE
4	11/12/69	...	YBA-1A		
5	4/12/69	...	FORM		
6	BASSMASTER		
7	16 JAN 70	...	MARK II		
8	19 FEB 70	...			

ALL DIMENSIONS IN INCHES
DO NOT SCALE