

ILLUSTRATED PARTS LIST

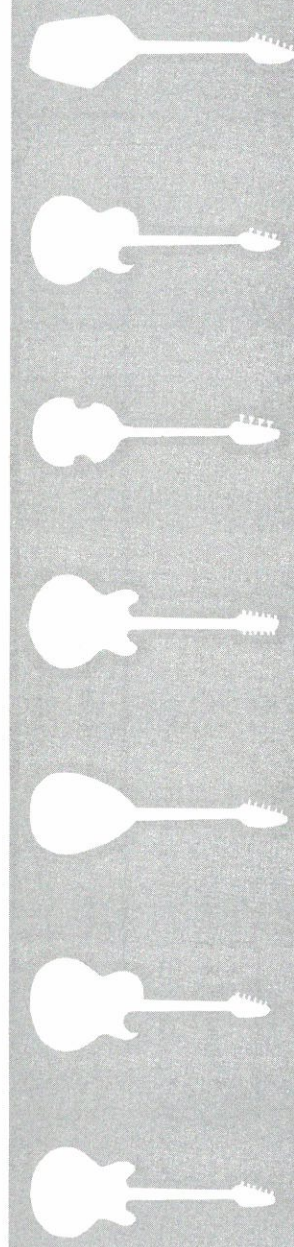
X .	PART NO.	DESCRIPTION
		BODY ASSEMBLY
	09-4051-0 09-3726-0 09-115-0 09-3841-0 09-2106-0 09-1622-0 09-3785-0 09-3723-0	Acoustical Body (Specify Color) Electronics Cover (Plastic - 6 1/2" dia.) ... Mounting Screw (#3 x 3/8" rd.) Non-slip Pad (W/Snaps - 12") Snap Button & Screw Assy. (Pad) Strap Button & Screw Assy. Slide Switch Cover (W/Mtg. Screw - Wah-Wah) Slide Switch Cover (W/Mtg. Screw - "E" Tuner)
	09-3885-0	PICK GUARD
	09-2010-0 09-2012-0 09-2011-0 09-2013-0 09-2014-0	... Mtg. Screw & Spacer Assy. ... Support Rod Spacer & Screw Assy. ... Support Rod ... Support Rod Mtg. Bracket & Spacer Assy. Mtg. Screw
	09-3947-0	NECK ASSEMBLY W/MACHINE HEADS
	09-3751-0 09-3752-0 09-3944-0 09-3764-0 09-3753-0 09-120-0 09-3945-0 09-119-0 09-118-0 09-1619-0 09-3751-0	... Mtg. Screw (#10 x 1-3/4" Oval) Machine Head (Single - Left Hand) Machine Head (Single - Right Hand) ... Mtg. Screw (#2 x 5/8" Oval) Machine Head Eyelet String Cleat, Spacer & Screw Assy. Bridge Nut (Aluminum) Fret Wire (Wide - Order Per Foot) Fret Wire (Narrow - Order Per Foot) Neck Rear Cover Plate (Trapezoidal) ... Mtg. Screw (#10 x 1-3/4" Oval)
	09-1610-0	ADJUSTABLE BRIDGE ASSEMBLY
	09-2019-0 09-2020-0	Bridge Stand (Wood) ... Adjustment Nut (Chrome)
	09-4052-0	TREMOLO TAILPIECE ASSEMBLY
	09-136-0 09-3882-0 09-4053-0 09-3845-0 09-1009-0 09-4054-0 09-3316-0 09-3326-0 09-3313-0 09-3314-0 09-1308-0 09-3330-0 09-3311-0 09-3328-0 09-3327-0 09-3312-0 09-3315-0 09-3317-0	... Tailpiece Mtg. Screw (#6 x 1" Oval) ... Tailpiece Screw & Flange Nut Assy. Tailpiece Frame (W/Inlay) ... Wood Panel Inlay (W/Logo) Tremolo Spring Roller Bar (W/Pins) ... String Mtg. Pin Retaining Ring (Roller Bar) Action Arm ... Mtg. Screw (#10 x 32 Allen Head) Tremolo Arm (W/Knob) ... Knob (Only) Tremolo Arm Mtg. Screw (#10 x 32 rd.) Tremolo Arm Mtg. Washer (Leather) Tremolo Arm Mtg. Washer (Metal) Tremolo Arm Mtg. Nut (#10 x 32 Hex.) String Tension Bar Retaining Ring (Tension Bar)

INDEX NO.	PART NO.	DESCRIPTION
37	09-3331-0 09-3332-0 09-3333-0 09-3334-0 09-3335-0 09-3336-0	Double Notch Aluminum Rollers ... String "E" - 6 ... String "A" - 5 ... String "D" - 4 ... String "G" - 3 ... String "B" - 2 ... String "E" - 1
		WAH-WAH LEVER ASSEMBLY
38	09-3901-0	Slide Pot. Assy.
39	09-3906-0	... Mtg. Bracket
40	09-3787-0	Actuator & Mount Assy. (W/Screw)
41	09-3788-0	Lever
	09-3923-0	Return Spring
		ELECTRONIC COMPONENTS
42	09-3902-0	Distortion, Treble-Bass, Repeat, Wah-Wah Modules & P. C. Board Assy.
	09-3707-0	... Treble-Bass Boost Module
	09-3708-0	... Distortion Module
	09-3755-0	... Repeat Module
	09-3887-0	... Wah-Wah Module
	09-3903-0	... P. C. Board (Only)
	09-3710-0	... 100 uF 12V (Electro.) Capacitor
	09-3711-0	... 10 uF 15V (Electro.) Capacitor
43	66-5000-0	9V Transistor Battery
44	09-3842-0	Battery Clamp & Screw Assy.
	09-6202-0	... Battery Clip & Cable Assy.
45	09-3703-0	"E" Tuner Assy.
	09-3704-0	... Tuning Coil
	09-3705-0	... P. C. Board (Only)
46	09-1027-0	100k Ohm Linear Pot. (Tone)
47	09-3766-0	Knob (Tone 2)
48	09-105-0	.047 uF 150V (Capacitor)
49	09-3719-0	Knob (Tone 1)
50	09-3716-0	.094 uF 125V (Capacitor)
51	09-1028-0	500k Ohm Log. Pot. (Volume)
52	09-3720-0	Knob (Volume 1)
53	09-3765-0	100k Ohm "BR" Pot. (Repeat)
54	09-3767-0	Knob (Repeat)
55	09-3714-0	1.5k Ohm Pot. (Distortion)
56	09-3721-0	Knob (Distortion)
	09-3718-0	... Set Screw (All Knobs)
57	09-3715-0	500k Ohm "B" Pot. (TR-B Boost)
58	09-3722-0	Knob (TR-B Boost)
59	09-3029-0	Phone Jack (Stereo)
60	09-3884-0	Control & Switch Plate (W/Mtg. Screw)
61	09-3717-0	Dial Pointer
62	09-3772-0	Toggle Switch (W/Knob - 3 Position)
	09-3773-0	... Knob (Only)
63	09-3761-0	Pickup Assy. (Treble)
64	09-3883-0	... Mtg. Bracket (Treble)
65	09-3757-0	Pickup Adjusting Screw & Spring Assy.
66	09-3759-0	Pickup Assy. (Bass)
67	09-3762-0	... Mtg. Bracket (Bass)
68	09-3713-0	Slide Switch (D.P.S.T.)

GUITAR

SERVICE INFORMATION

© 1968



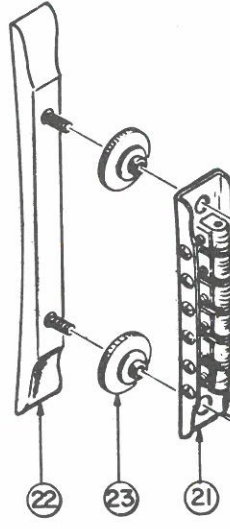
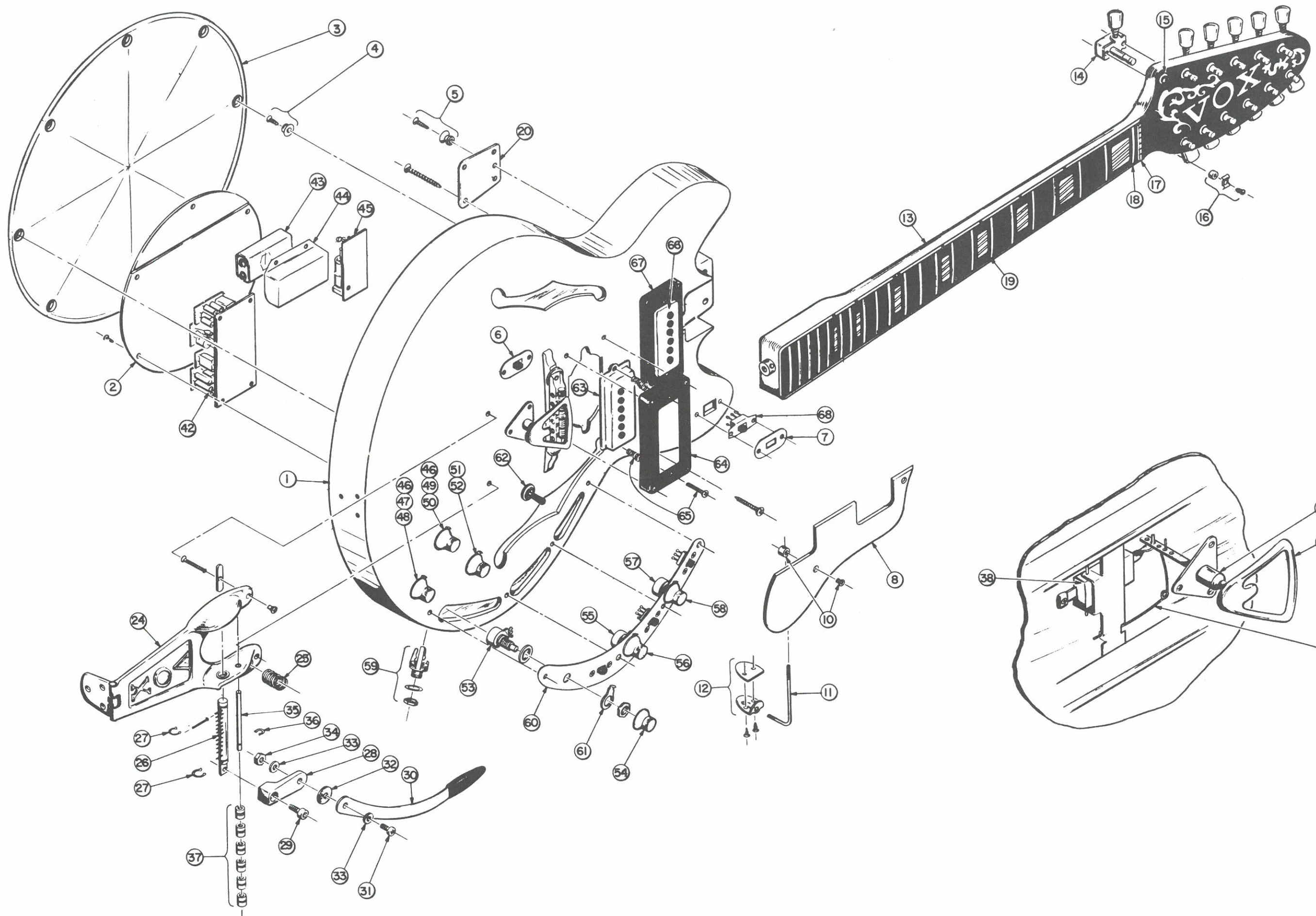
ULTRASONIC

V275

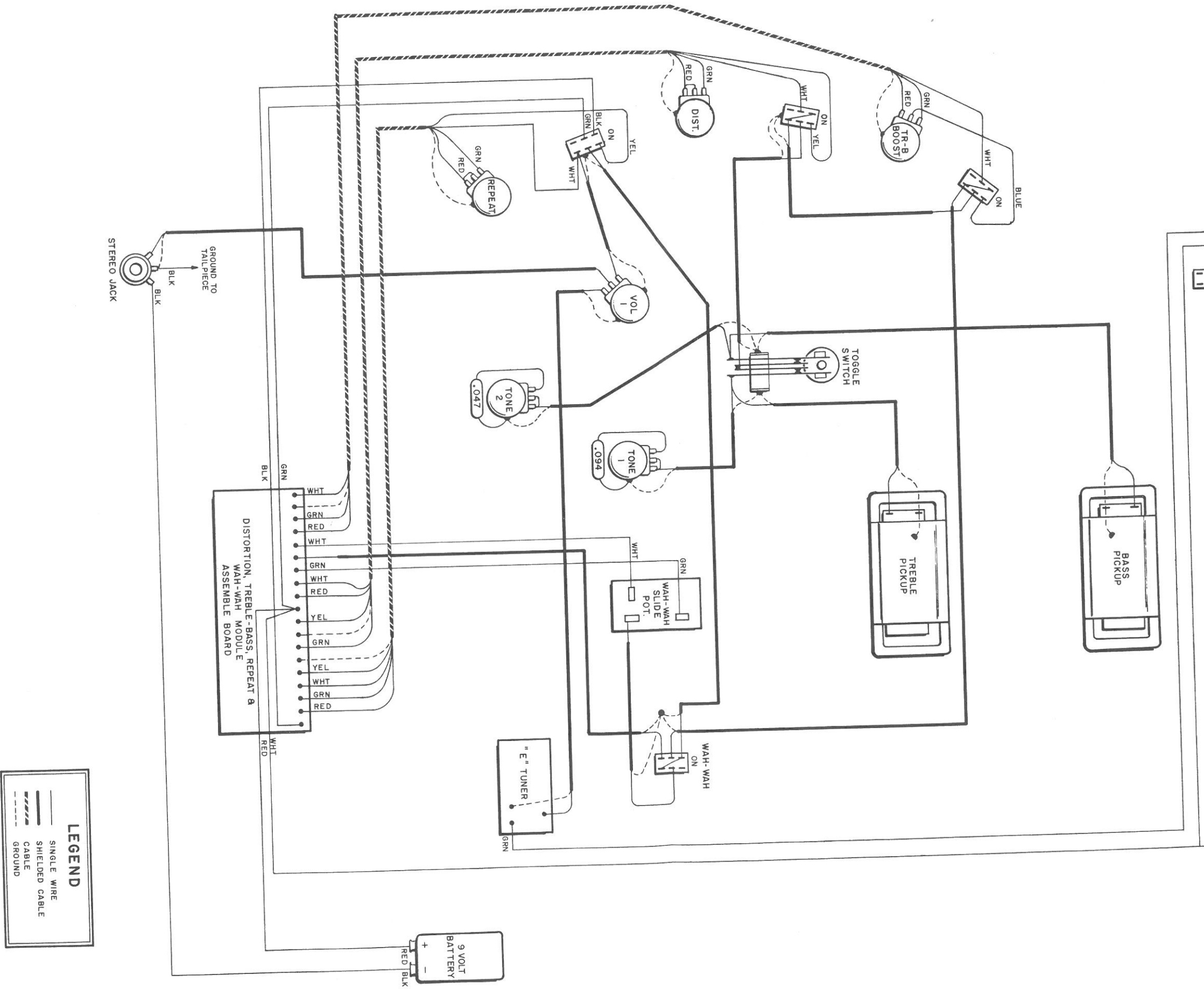
MARCH R

Thomas Organ Company • National Service Department • Sepulveda, California

Printed in U.S.A.



WIRING DIAGRAM



LEGEND

- SINGLE WIRE
- SHIELDED CABLE
- CABLE
- GROUND