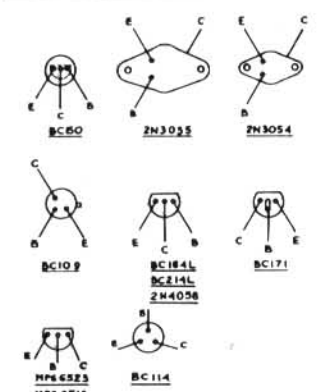


NOTES:
 RESISTOR N°s: R20-R23 ARE UNUSED
 R52-R55
 CAPACITOR C41 (PCA4) IS OUT OF SEQUENCE

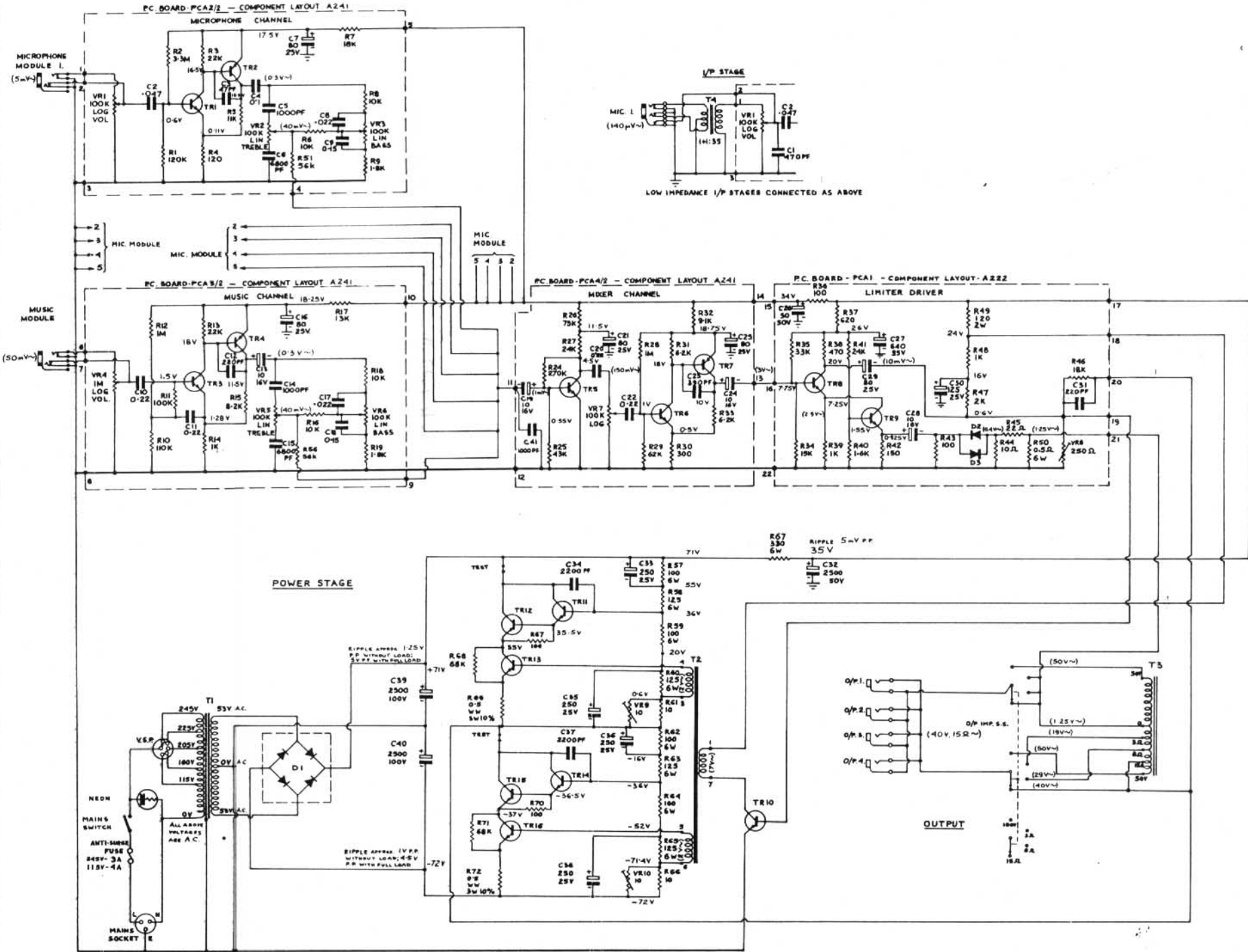
R21, R56	10K	1
R22, R57	10K	1
R23, R58	10K	1
R24, R59	10K	1
R25, R60	10K	1
R26, R61	10K	1
R27, R62	10K	1
R28, R63	10K	1
R29, R64	10K	1
R30, R65	10K	1
R31, R66	10K	1
R32, R67	10K	1
R33, R68	10K	1
R34, R69	10K	1
R35, R70	10K	1
R36, R71	10K	1
R37, R72	10K	1
R38, R73	10K	1
R39, R74	10K	1
R40, R75	10K	1
R41, R76	10K	1
R42, R77	10K	1
R43, R78	10K	1
R44, R79	10K	1
R45, R80	10K	1
R46, R81	10K	1
R47, R82	10K	1
R48, R83	10K	1
R49, R84	10K	1
R50, R85	10K	1
R51, R86	10K	1
R52, R87	10K	1
R53, R88	10K	1
R54, R89	10K	1
R55, R90	10K	1

TRANSISTORS VIEWED FROM LEAD SIDE



DIODE N°s & TYPES
 D1 = 35B20 or 5TC 70CSD15025B00
 D2-D3 = HS1010 or OA200

TRANSISTOR N°s & TYPES
 MPN: TR1, TR3, TR5, TR7, TR9 = BC109, BC114, BC150, BC171, BC184
 MPN: TR2, TR4, TR6 = BC155, 2N4058, MP6523, MP6518, BC241
 MPN: TR10, TR11, TR14 = 2N3054
 MPN: TR12, TR13, TR15, TR16 = 2N3055



N.B. VOLTAGE VALUES SHOWN WITHOUT BRACKETS E.G. 17.5V REFER TO D.C. VOLTAGES WITHOUT SIGNAL WHICH WERE MEASURED IN RESPECT TO EARTH ON AN AV08 METER.
 VOLTAGE VALUES IN BRACKETS E.G. (1mV~) REFER TO SIGNALS AT 1kHz GIVING 100W OUTPUT INTO 15Ω
 EVENTUAL VARIATIONS IN VOLTAGE READINGS ARE DUE TO DIFFERENT GAIN SPREADS OF TRANSISTORS
 ALL RESISTORS ARE 1/4WATT, UNLESS STATED OTHERWISE

DRG. No.	05176
TITLE	100W 55G & 35P PA. AMPLIFIER
VOX SOUND LTD.	LTD. ERITH, KENT, ENGLAND